

**Sales Code:** SBT137DU1

**Barcode:** 5056462611075

**Brand:** nuie

**Description:** nuie Traditional Dual Exposed Valve Shower Kit



*Technical Drawing Not Available*

**Product Dimensions**

Product	1260 x 194 x 670mm (H x W x D)
Nett Weight	0.1 kg
Packaged Weight	0.1 kg

**Product Details**

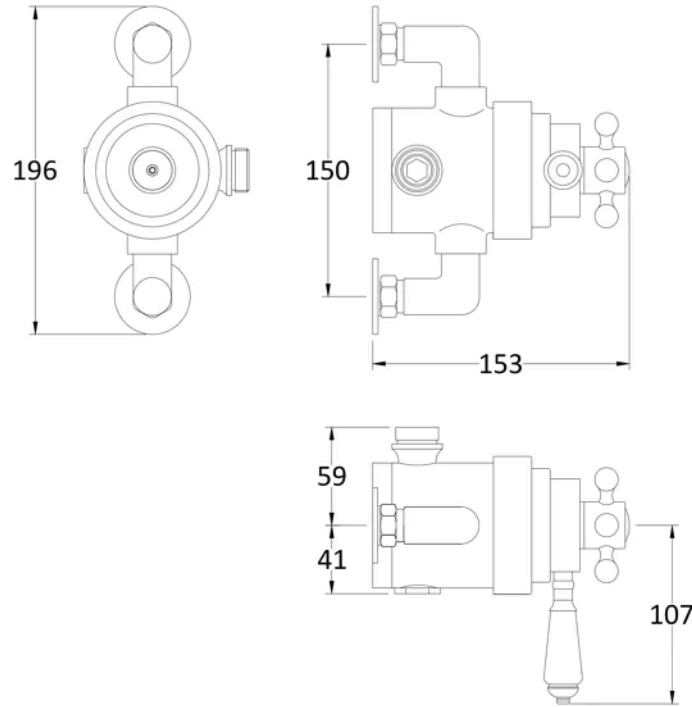
Country of Origin	China
Product Material	Brass Abs
Control Type	Manual
Valve/Cartridge Type	1/4 Turn
Colour/Finish	Chrome
Style	Traditional
Hose Length	1500 mm
Min Operating Pressure	0.1 Bar
Minimum Operation Pressure	0 Bar
No. Of Body Jets	0.0000
Valve / Cartridge Type	1/4 Turn

**Sales Code:** A3091E

**Barcode:** 5055146181538

**Brand:** nuie

**Description:** nuie Victorian Chrome Dual Thermostatic Shower Valve



**Product Dimensions**

Product	166 x 196 x 153mm (H x W x D)
Packaged	185 x 240 x 240mm (H x W x D)
Outer Box	405 x 500 x 265mm (H x W x D)
Nett Weight	3.2 kg
Packaged Weight	3.44 kg

**Packaging Details**

Label Size (mm)	50 x 100
Label Colour	White
Label Qty	2.0000

**Product Details**

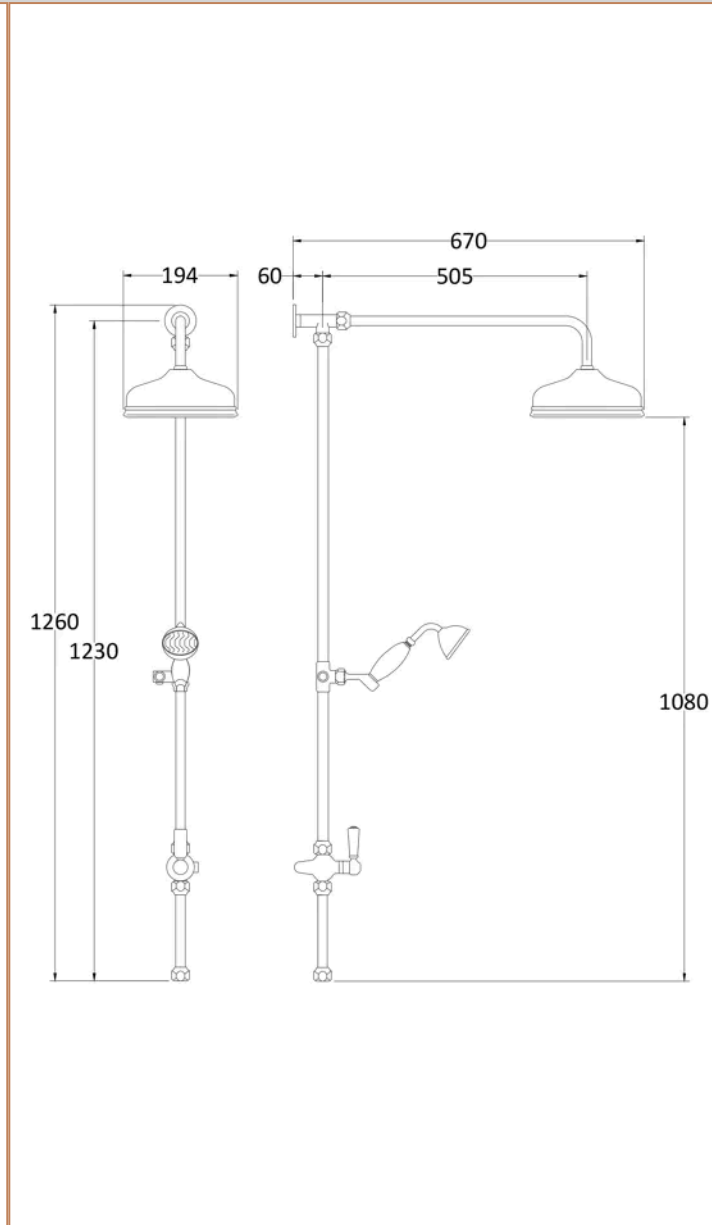
Country of Origin	United Kingdom
Product Material	Brass
Control Type	Manual
WRAS Approved	No
Valve/Cartridge Type	1/4 Turn
Colour/Finish	Chrome
Mount Type	Surface/Wall
Style	Traditional
Handle Type	Crosshead/Lever
TMV2 Approved	No
TMV3 Approved	No
Pipe Centres	150
Handset Included	No
Head Included	No
Min Operating Pressure	0.1 Bar
Minimum Operation Pressure	0 Bar
No. Outlets	1.0000
Outlet Elbow Supplied	No
Valve / Cartridge Type	1/4 Turn

**Sales Code:** AM312

**Barcode:** 5055146129714

**Brand:** Hudson Reed

**Description:** Chrome Dual Rigid Riser Kit



**Product Dimensions**

Product	1260 x 190 x 670mm (H x W x D)
Packaged	110 x 240 x 1100mm (H x W x D)
Nett Weight	4.7 kg
Packaged Weight	5.2 kg

**Packaging Details**

Label Size (mm)	50 x 100
Label Colour	White
Label Qty	2.0000

**Product Details**

Country of Origin	China
Product Material	Brass
Control Type	Not Applicable
WRAS Approved	No
Colour/Finish	Chrome
Mount Type	Surface/Wall
Style	Traditional
Easy Clean	No
TMV2 Approved	No
TMV3 Approved	No
Pipe Size	18 mm
Handset Included	Yes
Head Included	Yes
Hose Included	Yes
Hose Length	1500 mm
Min Operating Pressure	0.5 Bar
Minimum Operation Pressure	1 Bar
No. Outlets	2.0000
Outlet Elbow Supplied	No