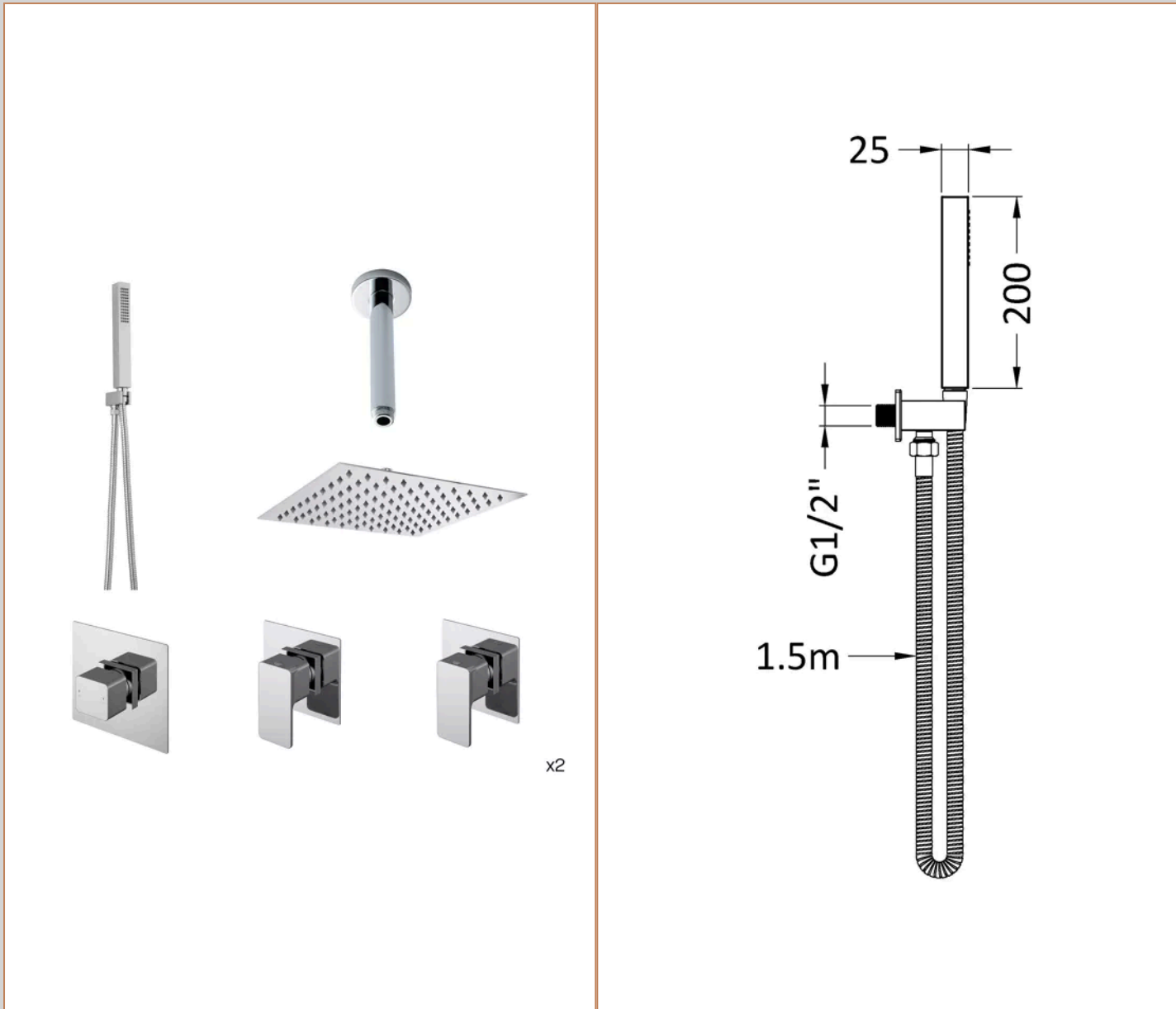


Sales Code: SBS132ST2

Barcode: 5056462648392

Brand: nuie

Description: nuie Modern Chrome Double Shower Bundle With Heads & Handsets



Product Dimensions

Nett Weight	0 kg
Packaged Weight	0 kg

Product Details

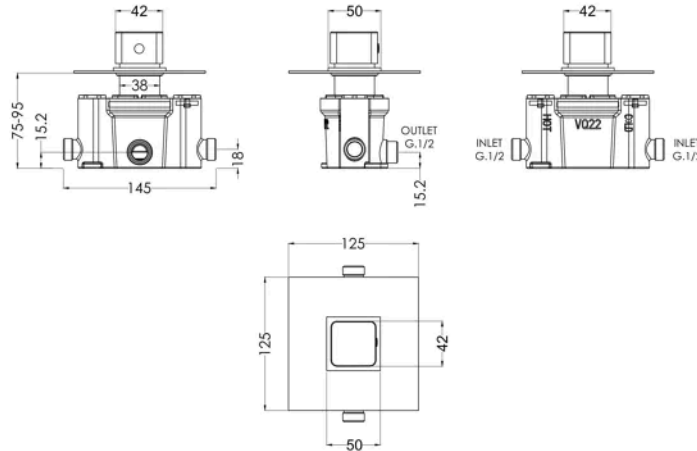
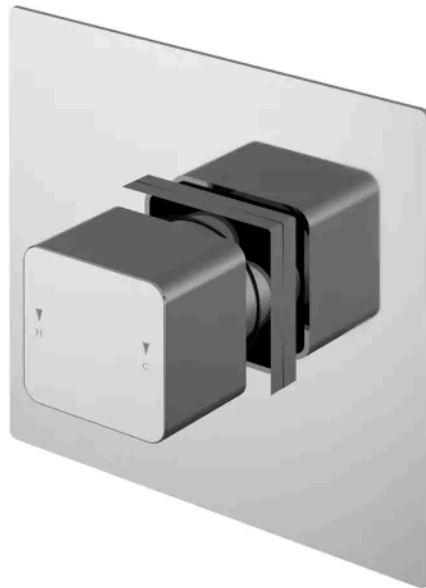
Country of Origin	China
Product Material	Brass Abs,Stainless Steel
Control Type	Manual
Valve/Cartridge Type	1/4 Turn Ceramic Disc
Colour/Finish	Chrome
Mount Type	Recessed/Wall
Style	Contemporary
Handset Included	Yes
Head Included	Yes
Hose Included	Yes
Min Operating Pressure	0.2 Bar
Minimum Operation Pressure	0 Bar
No. Of Body Jets	0.0000
No. Of Handset Functions	1
No. Of Head Functions	1
No. Outlets	2.0000
Outlet Elbow Supplied	No
Valve / Cartridge Type	1/4 Turn Ceramic Disc

Sales Code: WINTC11

Barcode: 5056211898429

Brand: nuie

Description: nuie Windon Chrome Thermostatic Shower Valve



Product Dimensions

Product	125 x 125 x 135mm (H x W x D)
Packaged	121 x 181 x 246mm (H x W x D)
Outer Box	750 x 380 x 260mm (H x W x D)
Nett Weight	1 kg
Packaged Weight	1 kg

Packaging Details

Label Size (mm)	50 x 100
Label Colour	White
Label Qty	1.0000

Product Details

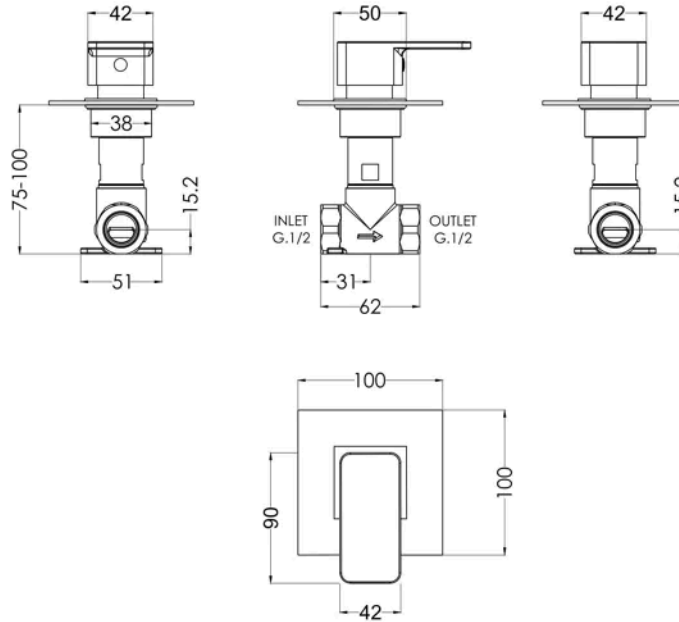
Country of Origin	China
Product Material	Brass Abs
Control Type	Manual
WRAS Approved	No
Colour/Finish	Chrome
Mount Type	Recessed/Wall
Style	Contemporary
Handle Type	Square
TMV2 Approved	No
TMV3 Approved	No
Handset Included	No
Head Included	No
Min Operating Pressure	0.1 Bar
Minimum Operation Pressure	0 Bar
No. Outlets	1.0000
Outlet Elbow Supplied	No

Sales Code: WINST10

Barcode: 5056211898436

Brand: nuie

Description: nuie Windon Chrome Concealed Shower Valve



Product Dimensions

Product	100 x 100 x 135mm (H x W x D)
Packaged	100 x 157 x 175mm (H x W x D)
Outer Box	560 x 330 x 195mm (H x W x D)
Nett Weight	0.77 kg
Packaged Weight	0.77 kg

Packaging Details

Label Size (mm)	50 x 100
Label Colour	White
Label Qty	1.0000

Product Details

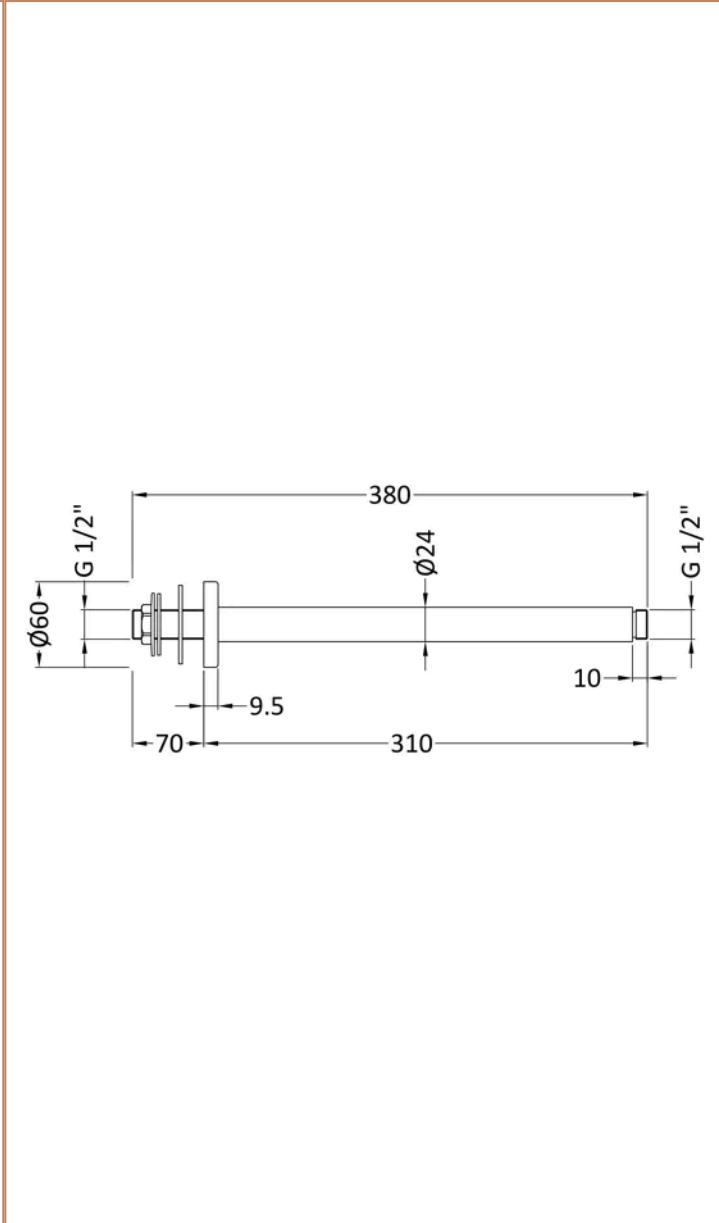
Country of Origin	China
Product Material	Brass
Control Type	Manual
WRAS Approved	No
Valve/Cartridge Type	1/4 Turn
Colour/Finish	Chrome
Mount Type	Recessed/Wall
Style	Contemporary
Handle Type	Lever/Square
TMV2 Approved	No
TMV3 Approved	No
Handset Included	No
Head Included	No
Min Operating Pressure	0.2 Bar
Minimum Operation Pressure	0 Bar
No. Outlets	1.0000
Outlet Elbow Supplied	No
Valve / Cartridge Type	1/4 Turn

Sales Code: ARM16

Barcode: 5055369013296

Brand: nuie

Description: Chrome Ceiling-Mounted Shower Arm



Product Dimensions

Product	300 x 60 x 60mm (H x W x D)
Packaged	70 x 115 x 410mm (H x W x D)
Outer Box	430 x 490 x 380mm (H x W x D)
Nett Weight	0.55 kg
Packaged Weight	0.57 kg

Packaging Details

Label Size (mm)	50 x 100
Label Colour	White
Label Qty	2.0000

Product Details

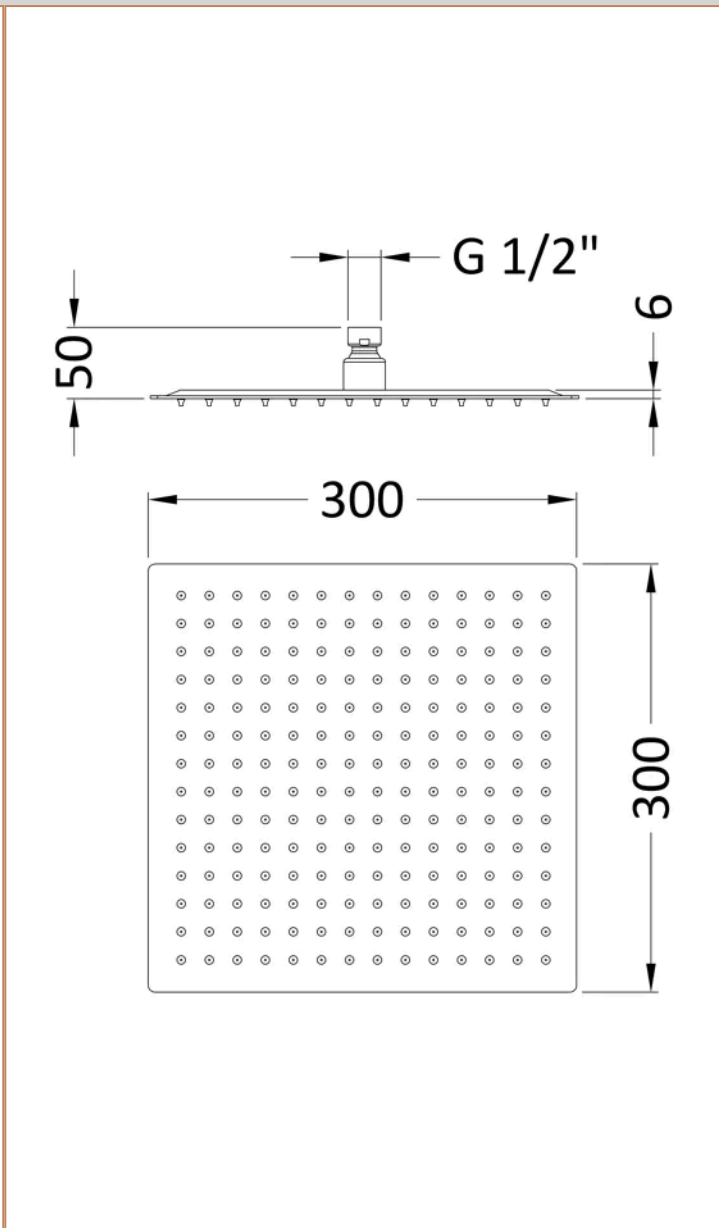
Country of Origin	China
Product Material	Brass
Colour/Finish	Chrome
Style	Contemporary

Sales Code: HEAD58

Barcode: 5055369018727

Brand: nuie

Description: Chrome Fixed Shower Head



Product Dimensions

Product	55 x 300 x 300mm (H x W x D)
Packaged	65 x 310 x 330mm (H x W x D)
Outer Box	320 x 335 x 650mm (H x W x D)
Nett Weight	1.74 kg
Packaged Weight	1.74 kg

Packaging Details

Label Size (mm)	50 x 100
Label Colour	White
Label Qty	2.0000

Product Details

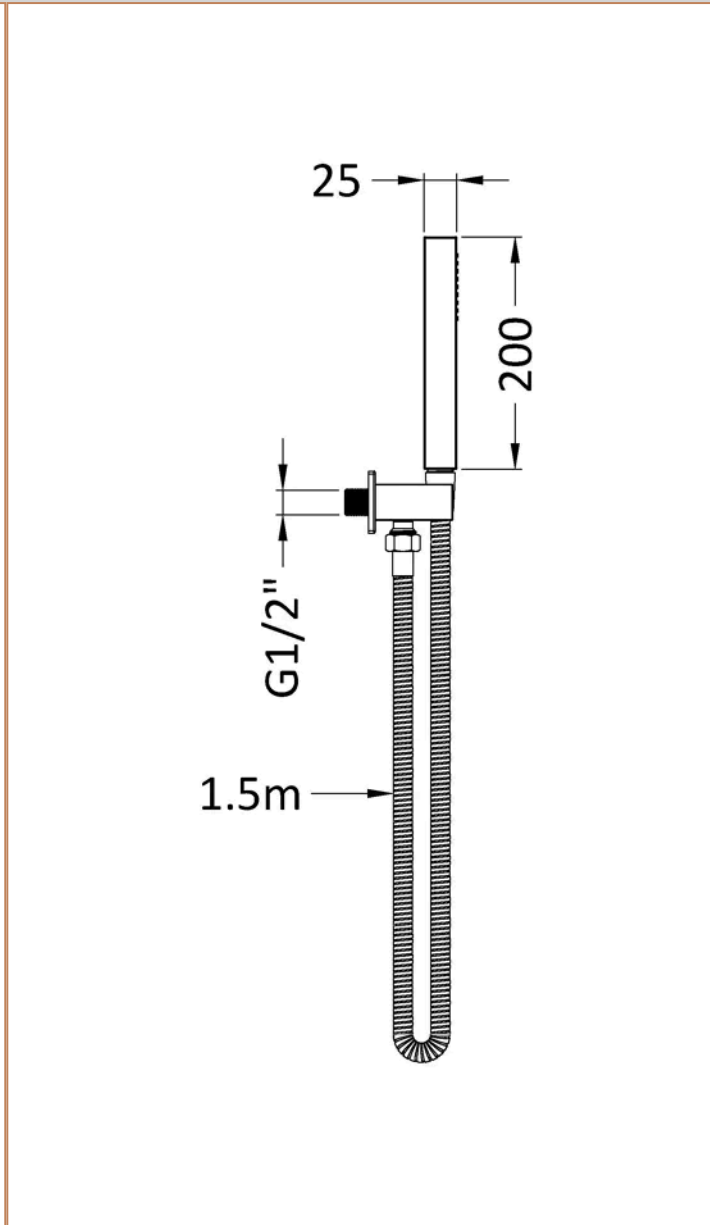
Country of Origin	China
Product Material	Stainless Steel
Control Type	Not Applicable
WRAS Approved	No
Colour/Finish	Chrome
Mount Type	Surface/Wall
Style	Contemporary
Easy Clean	Yes
TMV2 Approved	No
TMV3 Approved	No
Handset Included	No
Head Included	Yes
Min Operating Pressure	0.5 Bar
Minimum Operation Pressure	1 Bar
Outlet Elbow Supplied	No

Sales Code: A3264

Barcode: 5055369016976

Brand: nuie

Description: Chrome Shower Handset Kit Parking Bracket Kit Outlet Elbow



Product Dimensions

Product	1265 x 30 x 55mm (H x W x D)
Packaged	130 x 185 x 275mm (H x W x D)
Nett Weight	0.68 kg
Packaged Weight	0.68 kg

Packaging Details

Label Size (mm)	50 x 100
Label Colour	White
Label Qty	2.0000

Product Details

Country of Origin	United Kingdom
Product Material	Brass Abs
Control Type	Not Applicable
WRAS Approved	No
Colour/Finish	Chrome
Mount Type	Surface/Wall
Style	Contemporary
TMV2 Approved	No
TMV3 Approved	No
Handset Included	Yes
Head Included	No
Hose Included	Yes
Hose Length	1500 mm
Min Operating Pressure	0.1 Bar
Minimum Operation Pressure	0 Bar
Outlet Elbow Supplied	Yes