

Sales Code: SBT145TR2

Barcode: 5056462611150

Brand: nuie

Description: nuie Traditional Triple Outlet Exposed Shower Kit With Bath Spout



Technical Drawing Not Available

Product Dimensions

| | |
|-----------------|--------------------------------|
| Product | 1260 x 194 x 670mm (H x W x D) |
| Nett Weight | 0.1 kg |
| Packaged Weight | 0.1 kg |

Product Details

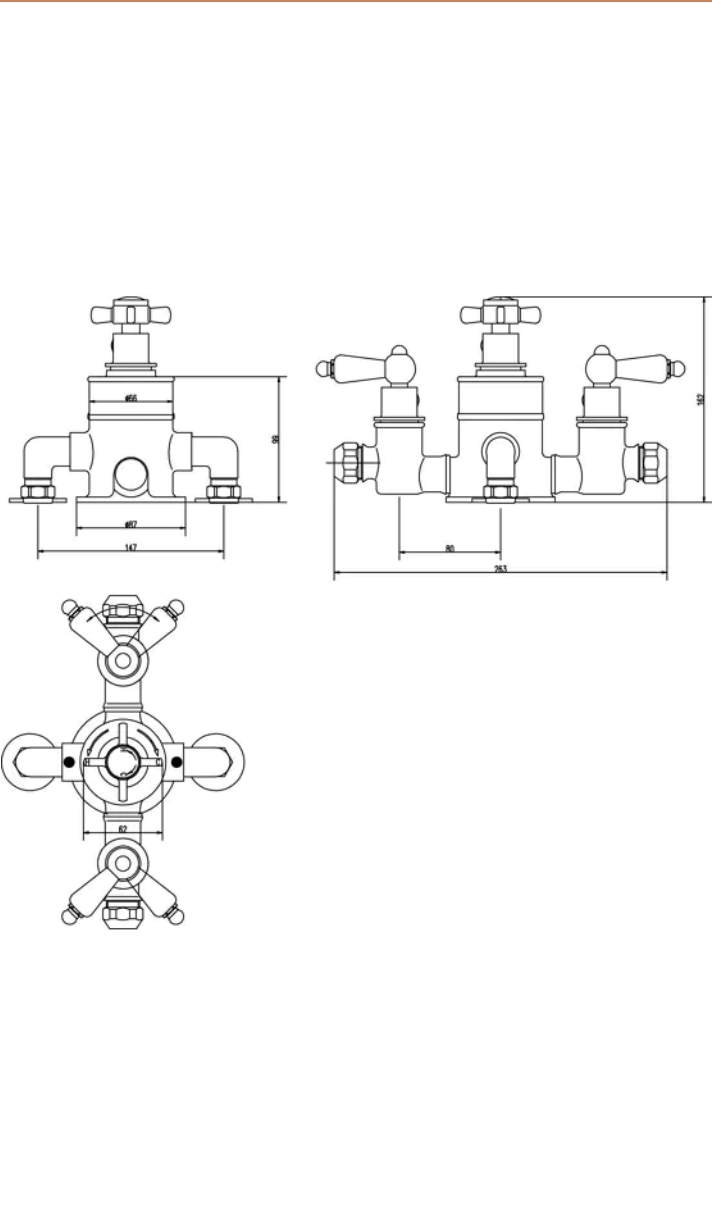
| | |
|----------------------------|-------------|
| Country of Origin | China |
| Product Material | Brass Abs |
| Control Type | Manual |
| Valve/Cartridge Type | 1/4 Turn |
| Colour/Finish | Chrome |
| Style | Traditional |
| Min Operating Pressure | 0.1 Bar |
| Minimum Operation Pressure | 0 Bar |
| No. Of Body Jets | 0.0000 |
| Valve / Cartridge Type | 1/4 Turn |

Sales Code: A3057E

Barcode: 5055369057894

Brand: nuie

Description: nuie Chrome Triple Thermostatic Shower Valve



Product Dimensions

| | |
|-----------------|-------------------------------|
| Product | 263 x 150 x 162mm (H x W x D) |
| Packaged | 170 x 215 x 245mm (H x W x D) |
| Outer Box | 360 x 435 x 500mm (H x W x D) |
| Nett Weight | 3.3 kg |
| Packaged Weight | 3.8 kg |

Packaging Details

| | |
|-----------------|----------|
| Label Size (mm) | 50 x 100 |
| Label Colour | White |
| Label Qty | 2.0000 |

Product Details

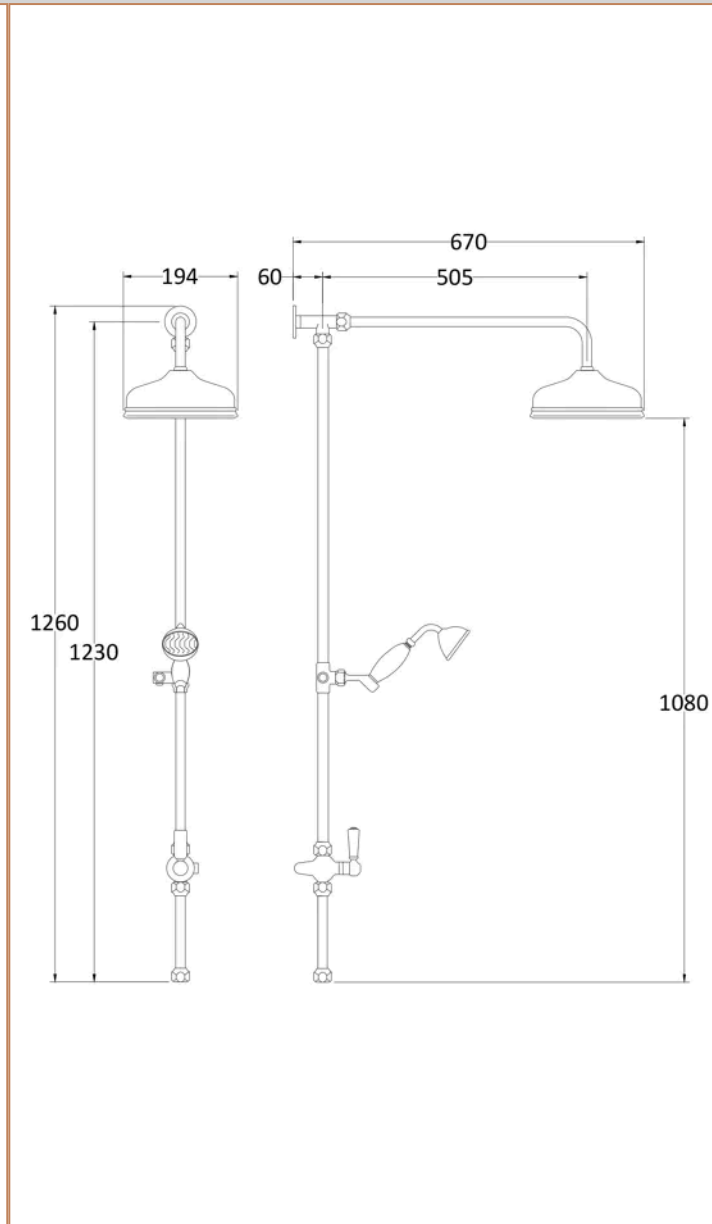
| | |
|----------------------------|-----------------|
| Country of Origin | United Kingdom |
| Product Material | Brass |
| Control Type | Manual |
| WRAS Approved | No |
| Valve/Cartridge Type | 1/4 Turn |
| Colour/Finish | Chrome |
| Mount Type | Surface/Wall |
| Style | Traditional |
| Handle Type | Crosshead/Lever |
| TMV2 Approved | No |
| TMV3 Approved | No |
| Pipe Centres | 147 |
| Handset Included | No |
| Head Included | No |
| Min Operating Pressure | 0.1 Bar |
| Minimum Operation Pressure | 0 Bar |
| No. Outlets | 2.0000 |
| Outlet Elbow Supplied | No |
| Valve / Cartridge Type | 1/4 Turn |

Sales Code: AM312

Barcode: 5055146129714

Brand: Hudson Reed

Description: Chrome Dual Rigid Riser Kit



Product Dimensions

| | |
|-----------------|--------------------------------|
| Product | 1260 x 190 x 670mm (H x W x D) |
| Packaged | 110 x 240 x 1100mm (H x W x D) |
| Nett Weight | 4.7 kg |
| Packaged Weight | 5.2 kg |

Packaging Details

| | |
|-----------------|----------|
| Label Size (mm) | 50 x 100 |
| Label Colour | White |
| Label Qty | 2.0000 |

Product Details

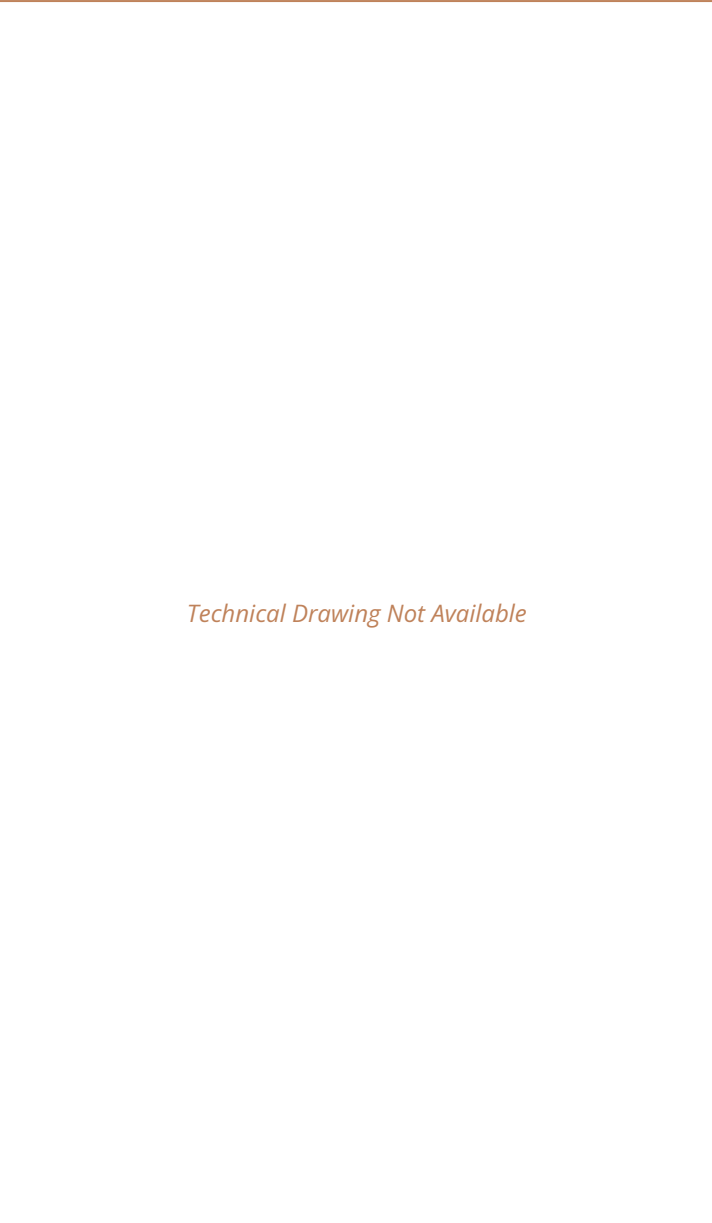
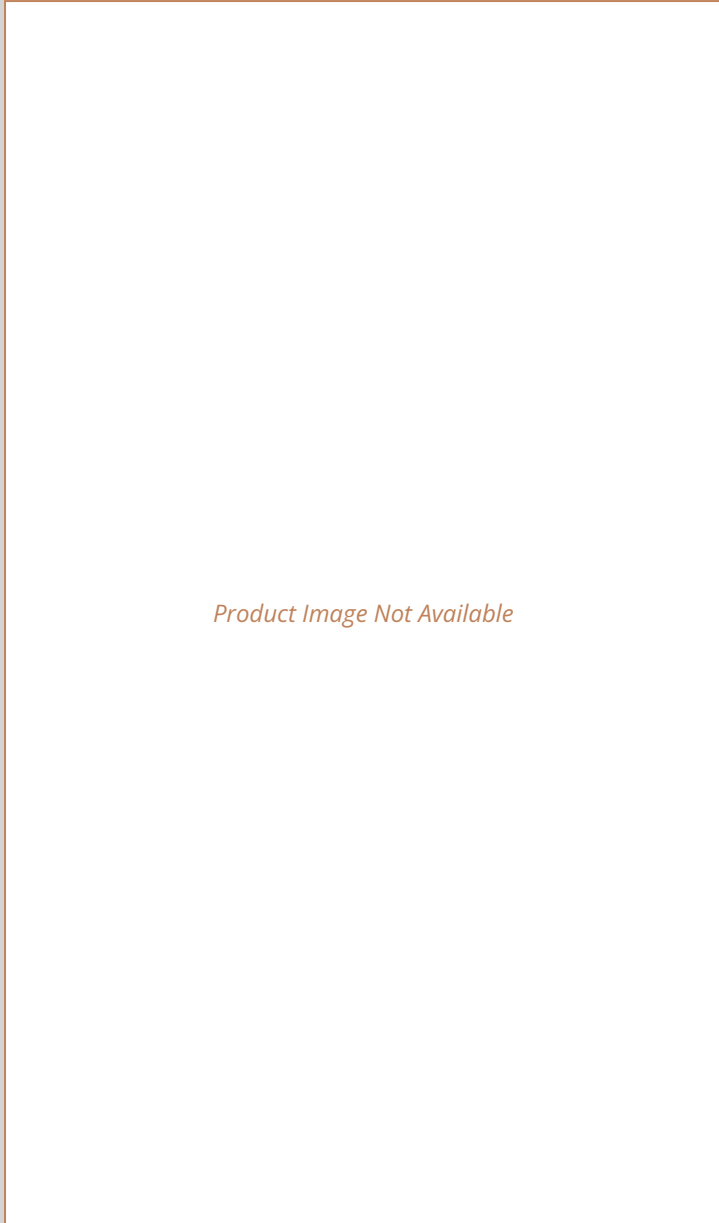
| | |
|----------------------------|----------------|
| Country of Origin | China |
| Product Material | Brass |
| Control Type | Not Applicable |
| WRAS Approved | No |
| Colour/Finish | Chrome |
| Mount Type | Surface/Wall |
| Style | Traditional |
| Easy Clean | No |
| TMV2 Approved | No |
| TMV3 Approved | No |
| Pipe Size | 18 mm |
| Handset Included | Yes |
| Head Included | Yes |
| Hose Included | Yes |
| Hose Length | 1500 mm |
| Min Operating Pressure | 0.5 Bar |
| Minimum Operation Pressure | 1 Bar |
| No. Outlets | 2.0000 |
| Outlet Elbow Supplied | No |

Sales Code: SPOUT007

Barcode: 5055369043835

Brand: Hudson Reed

Description: Exposed Bath Spout For Twin Valves



Product Dimensions

| | |
|-----------------|-------------------------------|
| Product | 169 x 35 x 205mm (H x W x D) |
| Packaged | 550 x 550 x 550mm (H x W x D) |
| Nett Weight | 0.64 kg |
| Packaged Weight | 0.64 kg |

Product Details

| | |
|-------------------|----------------|
| Country of Origin | China |
| Control Type | Not Applicable |
| Colour/Finish | Chrome |
| Style | Contemporary |
| No. Outlets | 1.0000 |