

Sales Code: SBS97BV1

Barcode: 5056462603551

Brand: nuie

Description: nuie Square Manual Chrome Bar Valve & Single Function Shower Kit



Technical Drawing Not Available

Product Dimensions

| | |
|-----------------|------------------------------|
| Product | 685 x 118 x 74mm (H x W x D) |
| Nett Weight | 0.1 kg |
| Packaged Weight | 0.1 kg |

Product Details

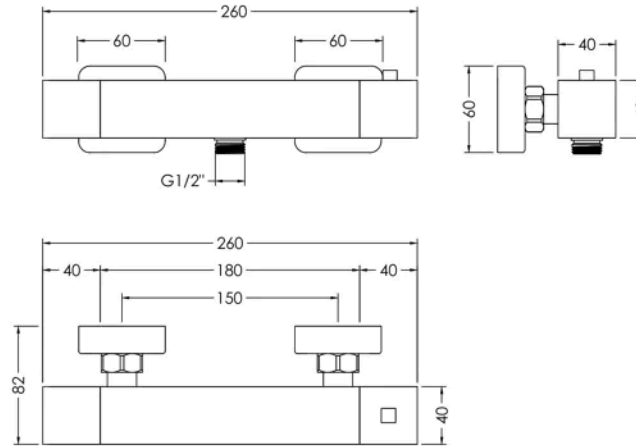
| | |
|----------------------------|--------------|
| Country of Origin | China |
| Product Material | Brass Abs |
| Control Type | Manual |
| Valve/Cartridge Type | 1/4 Turn |
| Colour/Finish | Chrome |
| Style | Contemporary |
| Hose Length | 1500 mm |
| Min Operating Pressure | 0.2 Bar |
| Minimum Operation Pressure | 0 Bar |
| No. Of Body Jets | 0.0000 |
| Valve / Cartridge Type | 1/4 Turn |

Sales Code: SAN503

Barcode: 5056211898085

Brand: nuie

Description: nuie Chrome Thermostatic Bar Shower Valve Sanford Thermostatic



Product Dimensions

| | |
|-----------------|--------------------------------------|
| Product | 55 x 275 x 72 x 55mm (H x W x D x L) |
| Packaged | 80 x 355 x 82mm (H x W x D) |
| Outer Box | 440 x 420 x 360mm (H x W x D) |
| Nett Weight | 1.75 kg |
| Packaged Weight | 1.75 kg |

Packaging Details

| | |
|-----------------|----------|
| Label Size (mm) | 50 x 100 |
| Label Colour | White |
| Label Qty | 1.0000 |

Product Details

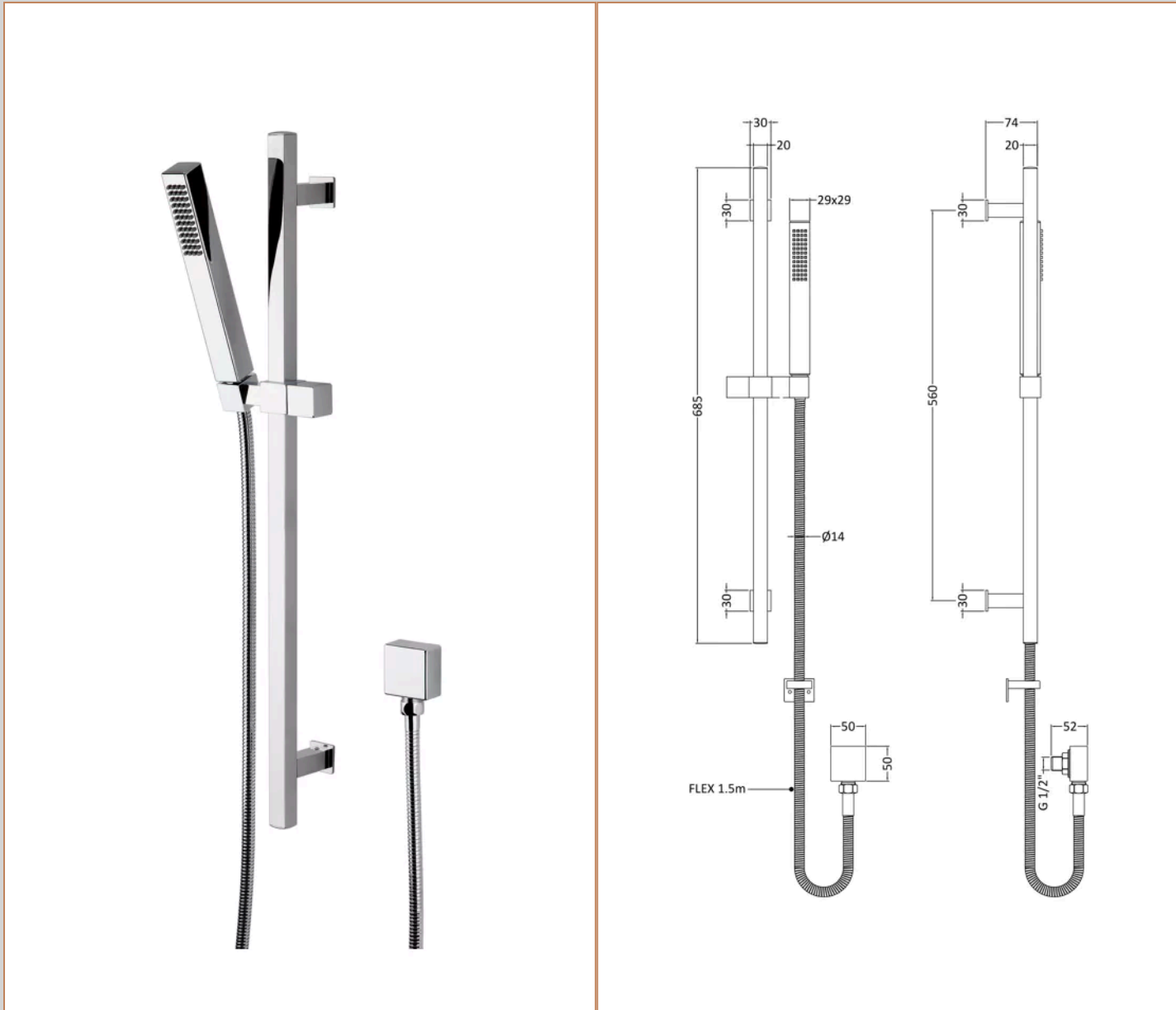
| | |
|----------------------------|--------------|
| Country of Origin | China |
| Product Material | Brass Abs |
| Control Type | Manual |
| WRAS Approved | No |
| Valve/Cartridge Type | 1/4 Turn |
| Colour/Finish | Chrome |
| Mount Type | Wall Hung |
| Style | Contemporary |
| Handle Type | Square |
| TMV2 Approved | No |
| TMV3 Approved | No |
| Pipe Centres | 150 |
| Handset Included | No |
| Head Included | No |
| Hose Included | No |
| Min Operating Pressure | 0.2 Bar |
| Minimum Operation Pressure | 0 Bar |
| No. Outlets | 1.0000 |
| Valve / Cartridge Type | 1/4 Turn |

Sales Code: A3181

Barcode: 5055146149552

Brand: Hudson Reed

Description: Hudson Reed Chrome Shower Slide Rail Kit Kubix Slide



Product Dimensions

| | |
|-----------------|------------------------------|
| Product | 685 x 118 x 74mm (H x W x D) |
| Packaged | 83 x 140 x 700mm (H x W x D) |
| Nett Weight | 1.4 kg |
| Packaged Weight | 1.6 kg |

Packaging Details

| | |
|-----------------|----------|
| Label Size (mm) | 50 x 100 |
| Label Colour | White |
| Label Qty | 2.0000 |

Product Details

| | |
|----------------------------|----------------|
| Country of Origin | China |
| Product Material | Brass |
| Control Type | Not Applicable |
| WRAS Approved | No |
| Colour/Finish | Chrome |
| Mount Type | Surface/Wall |
| Style | Contemporary |
| Easy Clean | Yes |
| TMV2 Approved | No |
| TMV3 Approved | No |
| Handset Included | Yes |
| Head Included | No |
| Hose Included | Yes |
| Hose Length | 1500 mm |
| Min Operating Pressure | 0.1 Bar |
| Minimum Operation Pressure | 0 Bar |
| No. Outlets | 1.0000 |
| Outlet Elbow Supplied | Yes |