

**Sales Code:** SBT57TW1

**Barcode:** 5056462602103

**Brand:** nuie

**Description:** nuie Traditional Chrome Exposed Shower Kit Including Valve, Head & Arm



*Technical Drawing Not Available*

**Product Dimensions**

Product	210 x 120 x 135mm (H x W x D)
Nett Weight	0.1 kg
Packaged Weight	0.1 kg

**Product Details**

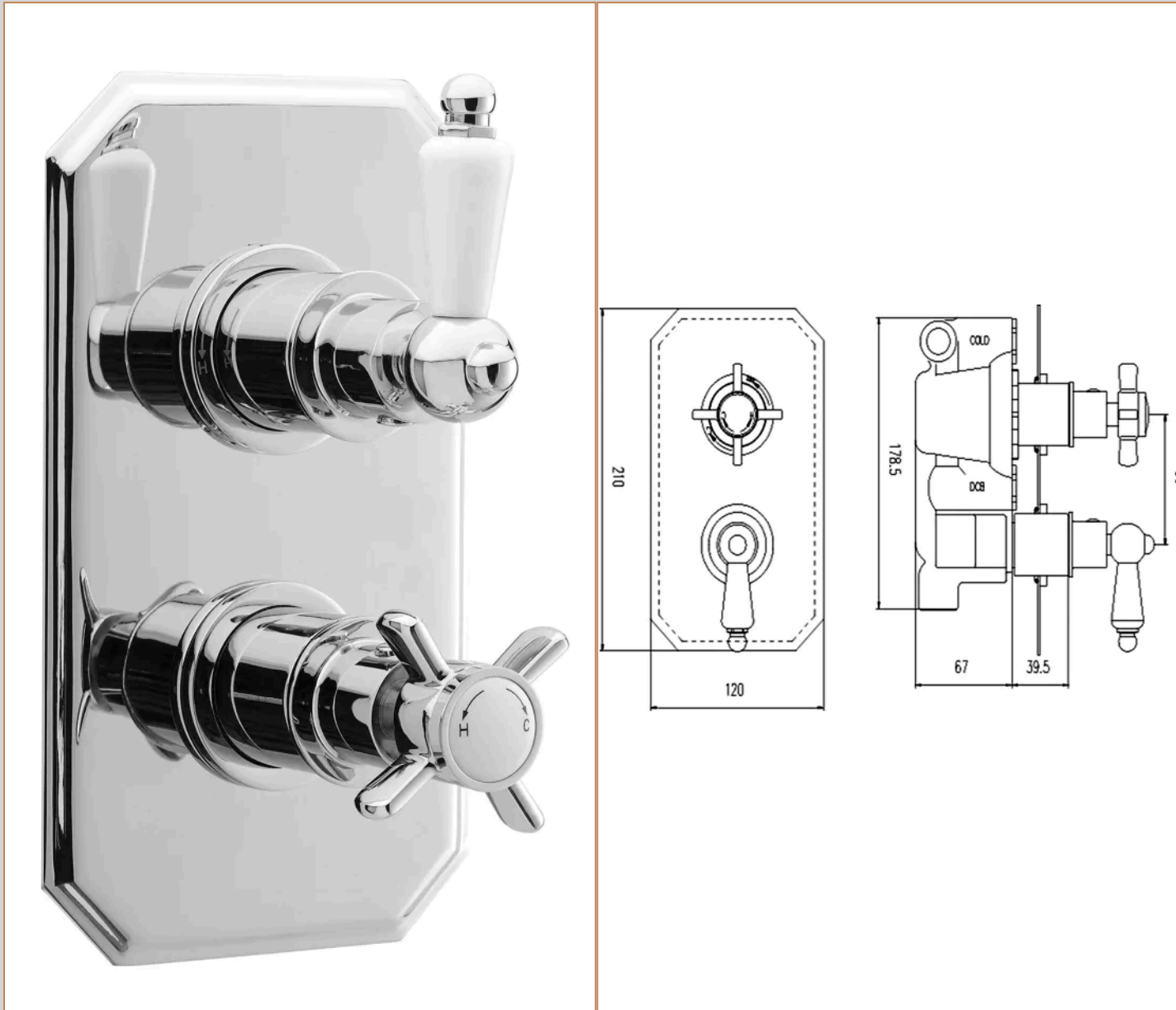
Country of Origin	China
Product Material	Brass Abs
Control Type	Manual
Valve/Cartridge Type	1/4 Turn
Colour/Finish	Chrome
Style	Traditional
Min Operating Pressure	0.1 Bar
Minimum Operation Pressure	0 Bar
No. Of Body Jets	0.0000
Valve / Cartridge Type	1/4 Turn

**Sales Code:** A3033

**Barcode:** 5055146196679

**Brand:** nuie

**Description:** nuie Victorian Chrome Twin Thermostatic Shower Valve



### Product Dimensions

Product	210 x 120 x 135mm (H x W x D)
Packaged	110 x 240 x 250mm (H x W x D)
Outer Box	320 x 495 x 295mm (H x W x D)
Nett Weight	2.18 kg
Packaged Weight	2.65 kg

### Packaging Details

Label Size (mm)	50 x 100
Label Colour	White
Label Qty	2.0000

### Product Details

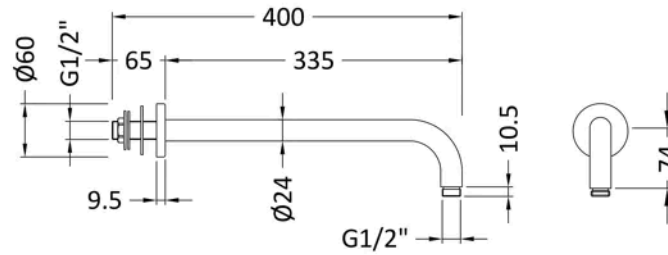
Country of Origin	United Kingdom
Product Material	Brass Abs
Control Type	Manual
WRAS Approved	Yes
Valve/Cartridge Type	1/4 Turn
Colour/Finish	Chrome
Mount Type	Recessed/Wall
Style	Traditional
Handle Type	Crosshead/Lever
TMV2 Approved	Yes
TMV3 Approved	No
Handset Included	No
Head Included	No
Min Operating Pressure	0.1 Bar
Minimum Operation Pressure	0 Bar
No. Outlets	1.0000
Outlet Elbow Supplied	No
Tmv2 Approval Number	2603035
Valve / Cartridge Type	1/4 Turn
Wras Approval No	250602040

**Sales Code:** ARM01

**Barcode:** 5055146185604

**Brand:** nuie

**Description:** Chrome Wall-Mounted Shower Arm



**Product Dimensions**

Product	104 x 62 x 395mm (H x W x D)
Packaged	420 x 38 x 102mm (H x W x D)
Outer Box	385 x 220 x 430mm (H x W x D)
Nett Weight	0.32 kg
Packaged Weight	0.5 kg

**Packaging Details**

Label Size (mm)	50 x 100
Label Colour	White
Label Qty	2.0000

**Product Details**

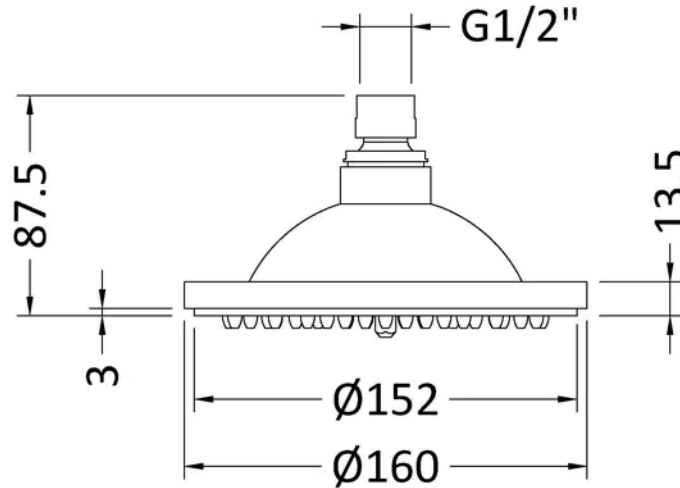
Country of Origin	China
Product Material	Brass
Colour/Finish	Chrome
Style	Contemporary

**Sales Code:** A304

**Barcode:** 5055146123828

**Brand:** Hudson Reed

**Description:** Chrome Fixed Shower Head



**Product Dimensions**

Product	185 x 152 x 421mm (H x W x D)
Packaged	105 x 165 x 175mm (H x W x D)
Outer Box	440 x 370 x 380mm (H x W x D)
Nett Weight	0.79 kg
Packaged Weight	0.79 kg

**Packaging Details**

Label Size (mm)	50 x 100
Label Colour	White
Label Qty	2.0000

**Product Details**

Country of Origin	China
Product Material	Brass
Control Type	Not Applicable
WRAS Approved	No
Colour/Finish	Chrome
Mount Type	Surface/Wall
Style	Traditional
Easy Clean	Yes
TMV2 Approved	No
TMV3 Approved	No
Handset Included	No
Head Included	Yes
Min Operating Pressure	0.5 Bar
Minimum Operation Pressure	1 Bar
Outlet Elbow Supplied	No