

Sales Code: SBT59TR2

Barcode: 5056462602127

Brand: nuie

Description: nuie Traditional Chrome Manual Exposed Double Outlet Shower Kit



Technical Drawing Not Available

Product Dimensions

Product	750 x 70 x 150mm (H x W x D)
Nett Weight	0.1 kg
Packaged Weight	0.1 kg

Product Details

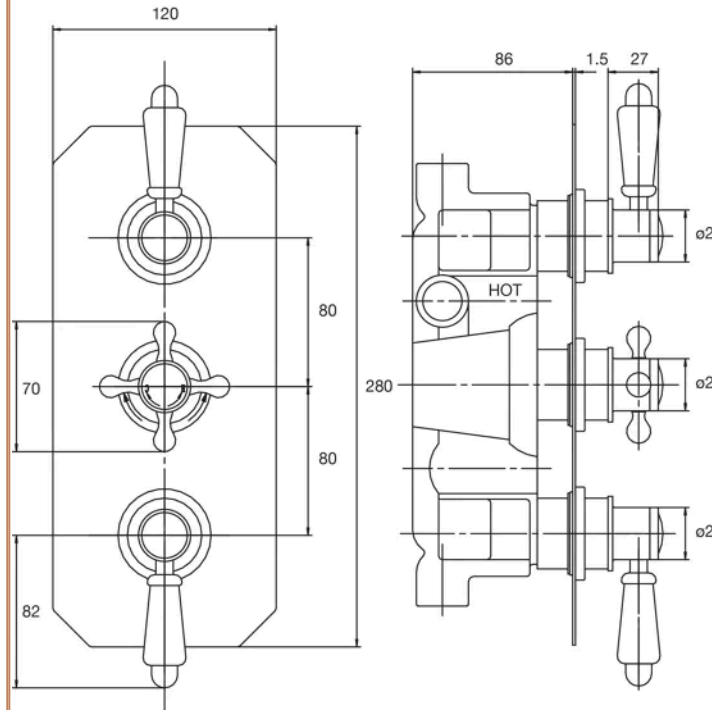
Country of Origin	China
Product Material	Brass Abs
Control Type	Manual
Valve/Cartridge Type	1/4 Turn
Colour/Finish	Chrome
Style	Traditional
Min Operating Pressure	0.1 Bar
Minimum Operation Pressure	0 Bar
No. Of Body Jets	0.0000
Valve / Cartridge Type	1/4 Turn

Sales Code: ITY317

Barcode: 5055369030804

Brand: nuie

Description: nuie Victorian Chrome Triple Thermostatic Shower Valve



Product Dimensions

Product	280 x 120 x 135mm (H x W x D)
Packaged	110 x 250 x 320mm (H x W x D)
Outer Box	370 x 525 x 350mm (H x W x D)
Nett Weight	3.86 kg
Packaged Weight	3.86 kg

Packaging Details

Label Size (mm)	50 x 100
Label Colour	White
Label Qty	2.0000

Product Details

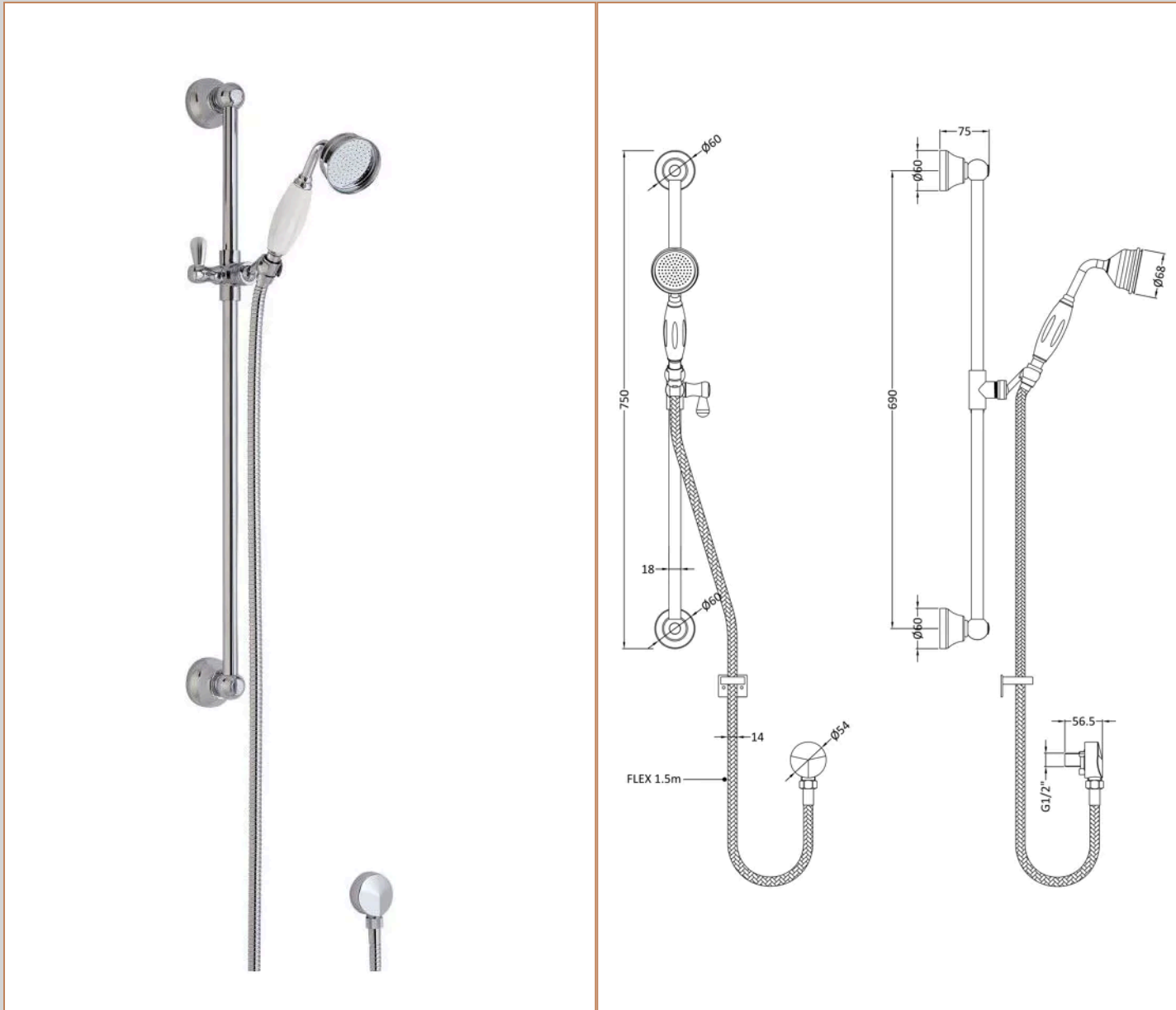
Country of Origin	United Kingdom
Product Material	Brass Abs
Control Type	Manual
WRAS Approved	Yes
Valve/Cartridge Type	1/4 Turn
Colour/Finish	Chrome
Mount Type	Recessed/Wall
Style	Traditional
Handle Type	Crosshead/Lever
TMV2 Approved	Yes
TMV3 Approved	No
Handset Included	No
Head Included	No
Min Operating Pressure	0.1 Bar
Minimum Operation Pressure	0 Bar
No. Outlets	2.0000
Outlet Elbow Supplied	No
Tmv2 Approval Number	2603035
Valve / Cartridge Type	1/4 Turn
Wras Approval No	250602040

Sales Code: A3211

Barcode: 5055146101079

Brand: nuie

Description: Chrome Shower Slide Rail Kit Slider Rail Kit



Product Dimensions

Product	750 x 70 x 150mm (H x W x D)
Packaged	80 x 125 x 785mm (H x W x D)
Outer Box	340 x 400 x 800mm (H x W x D)
Nett Weight	1.47 kg
Packaged Weight	1.97 kg

Packaging Details

Label Size (mm)	50 x 100
Label Colour	White
Label Qty	2.0000

Product Details

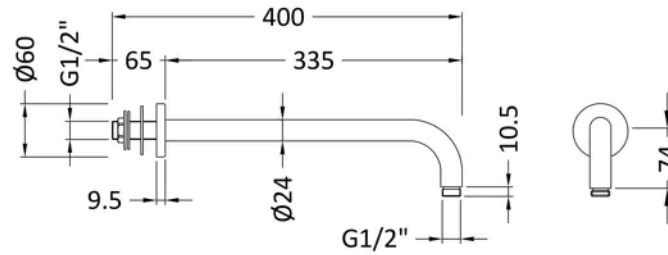
Country of Origin	China
Product Material	Brass Abs
Control Type	Not Applicable
WRAS Approved	No
Colour/Finish	Chrome
Mount Type	Surface/Wall
Style	Traditional
Easy Clean	No
TMV2 Approved	No
TMV3 Approved	No
Handset Included	Yes
Head Included	No
Hose Included	Yes
Hose Length	1500 mm
Min Operating Pressure	0.1 Bar
Minimum Operation Pressure	0 Bar
No. Outlets	1.0000
Outlet Elbow Supplied	Yes

Sales Code: ARM01

Barcode: 5055146185604

Brand: nuie

Description: Chrome Wall-Mounted Shower Arm



Product Dimensions

Product	104 x 62 x 395mm (H x W x D)
Packaged	420 x 38 x 102mm (H x W x D)
Outer Box	385 x 220 x 430mm (H x W x D)
Nett Weight	0.32 kg
Packaged Weight	0.5 kg

Packaging Details

Label Size (mm)	50 x 100
Label Colour	White
Label Qty	2.0000

Product Details

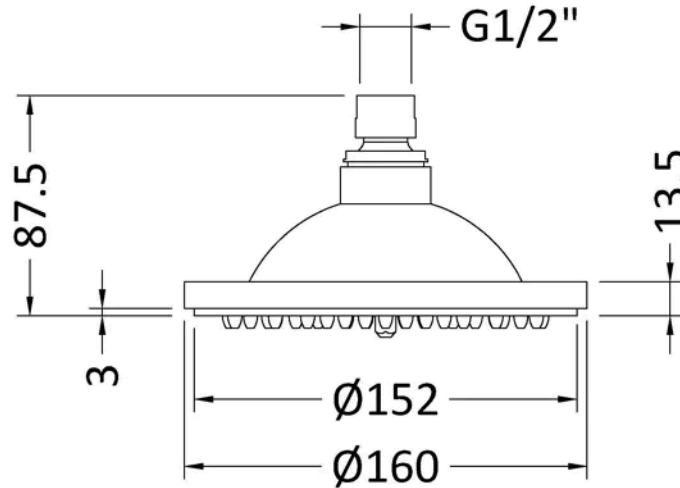
Country of Origin	China
Product Material	Brass
Colour/Finish	Chrome
Style	Contemporary

Sales Code: A304

Barcode: 5055146123828

Brand: Hudson Reed

Description: Chrome Fixed Shower Head



Product Dimensions

Product	185 x 152 x 421mm (H x W x D)
Packaged	105 x 165 x 175mm (H x W x D)
Outer Box	440 x 370 x 380mm (H x W x D)
Nett Weight	0.79 kg
Packaged Weight	0.79 kg

Packaging Details

Label Size (mm)	50 x 100
Label Colour	White
Label Qty	2.0000

Product Details

Country of Origin	China
Product Material	Brass
Control Type	Not Applicable
WRAS Approved	No
Colour/Finish	Chrome
Mount Type	Surface/Wall
Style	Traditional
Easy Clean	Yes
TMV2 Approved	No
TMV3 Approved	No
Handset Included	No
Head Included	Yes
Min Operating Pressure	0.5 Bar
Minimum Operation Pressure	1 Bar
Outlet Elbow Supplied	No