

Sales Code: SBT53MV1

Barcode: 5056462602066

Brand: nuie

Description: nuie Traditional Chrome Manual Exposed Rigid Riser Shower Kit With Swivel Spout



Technical Drawing Not Available

Product Dimensions

| | |
|-----------------|--------------------------------|
| Product | 1025 x 100 x 570mm (H x W x D) |
| Nett Weight | 0.1 kg |
| Packaged Weight | 0.1 kg |

Product Details

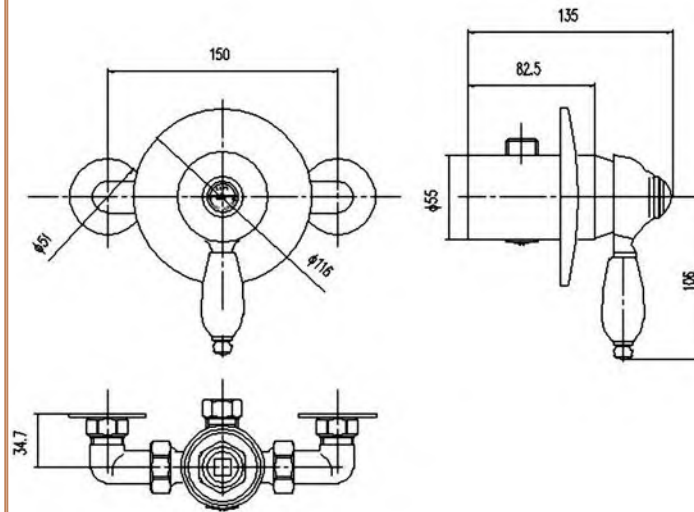
| | |
|----------------------------|-------------|
| Country of Origin | China |
| Product Material | Brass Abs |
| Control Type | Manual |
| Valve/Cartridge Type | 1/4 Turn |
| Colour/Finish | Chrome |
| Style | Traditional |
| Hose Length | 1500 mm |
| Min Operating Pressure | 0.2 Bar |
| Minimum Operation Pressure | 0 Bar |
| No. Of Body Jets | 0.0000 |
| Valve / Cartridge Type | 1/4 Turn |

Sales Code: A3201

Barcode: 5055146110248

Brand: nuie

Description: nuie Edwardian Chrome Exposed Shower Valve



Product Dimensions

| | |
|-----------------|-------------------------------|
| Product | 35 x 150 x 135mm (H x W x D) |
| Packaged | 135 x 120 x 205mm (H x W x D) |
| Outer Box | 285 x 215 x 500mm (H x W x D) |
| Nett Weight | 1.76 kg |
| Packaged Weight | 1.76 kg |

Packaging Details

| | |
|-----------------|----------|
| Label Size (mm) | 50 x 100 |
| Label Colour | White |
| Label Qty | 2.0000 |

Product Details

| | |
|----------------------------|------------------------|
| Country of Origin | China |
| Product Material | Brass |
| Control Type | Manual |
| WRAS Approved | No |
| Valve/Cartridge Type | Single Lever Cartridge |
| Colour/Finish | Chrome |
| Mount Type | Surface/Wall |
| Style | Traditional |
| Handle Type | Lever |
| TMV2 Approved | No |
| TMV3 Approved | No |
| Pipe Centres | 150 |
| Handset Included | No |
| Head Included | No |
| Min Operating Pressure | 0.2 Bar |
| Minimum Operation Pressure | 0 Bar |
| No. Outlets | 1.0000 |
| Outlet Elbow Supplied | No |
| Valve / Cartridge Type | Single Lever Cartridge |

Sales Code: A3170

Barcode: 5055146100706

Brand: nuie

Description: nuie Chrome Rigid Riser Kit



Product Dimensions

| | |
|-----------------|--------------------------------|
| Product | 1025 x 100 x 570mm (H x W x D) |
| Packaged | 75 x 130 x 1080mm (H x W x D) |
| Nett Weight | 1.6 kg |
| Packaged Weight | 1.6 kg |

Packaging Details

| | |
|-----------------|----------|
| Label Size (mm) | 50 x 100 |
| Label Colour | White |
| Label Qty | 2.0000 |

Product Details

| | |
|----------------------------|----------------|
| Country of Origin | China |
| Product Material | Brass |
| Control Type | Not Applicable |
| WRAS Approved | No |
| Colour/Finish | Chrome |
| Mount Type | Surface/Wall |
| Style | Traditional |
| Easy Clean | No |
| TMV2 Approved | No |
| TMV3 Approved | No |
| Handset Included | No |
| Head Included | Yes |
| Hose Included | No |
| Min Operating Pressure | 0.1 Bar |
| Minimum Operation Pressure | 0 Bar |
| No. Outlets | 1.0000 |
| Outlet Elbow Supplied | No |