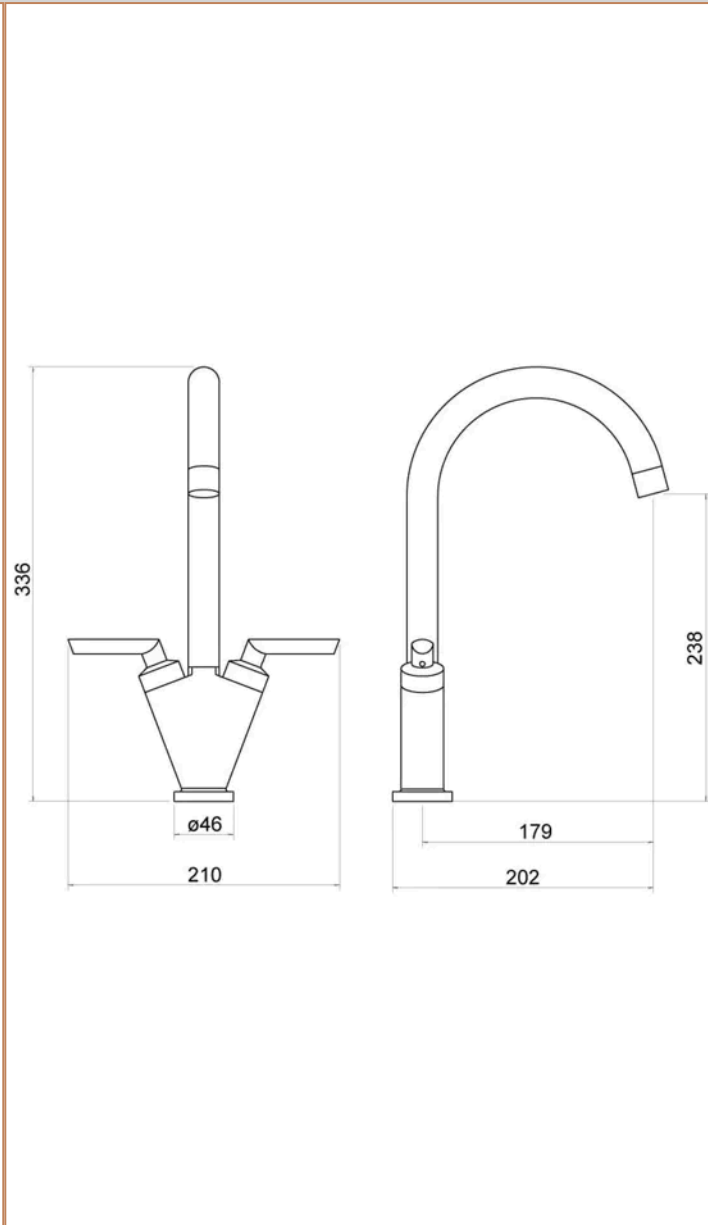


**Sales Code:** KSU305DL

**Barcode:** 5056817752347

**Brand:** nuie Kitchens

**Description:** nuie Sarani Chrome Two Hanlde Sink Mixer Tap



### Product Dimensions

Product	336 x 46 x 202mm (H x W x D)
Packaged	60 x 230 x 380mm (H x W x D)
Nett Weight	1.26 kg
Packaged Weight	1.26 kg

### Product Details

Country of Origin	China
Product Material	Brass
Control Type	Manual
WRAS Approved	Yes
Colour/Finish	Chrome
Mount Type	Deck
Style	Contemporary
Handle Type	Lever
Handset Included	No
Hose Included	No
Min Operating Pressure	0.5 Bar
Minimum Operation Pressure	1 Bar
Waste Included	No
Wras Approval No	2101047