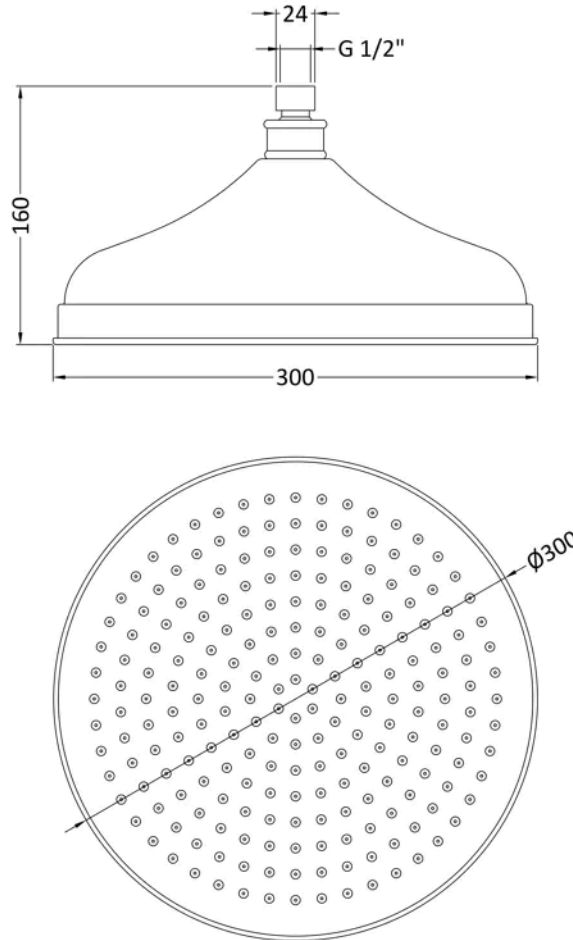


**Sales Code:** HEAD16

**Barcode:** 5055146185819

**Brand:** nuie

**Description:** Chrome Fixed Shower Head



### Product Dimensions

Product	145 x 300 x 300mm (H x W x D)
Packaged	320 x 130 x 320mm (H x W x D)
Outer Box	330 x 660 x 330mm (H x W x D)
Nett Weight	1.8 kg
Packaged Weight	2.1 kg

### Packaging Details

Label Size (mm)	50 x 100
Label Colour	White
Label Qty	2.0000

### Product Details

Country of Origin	China
Product Material	Brass
Control Type	Not Applicable
WRAS Approved	No
Colour/Finish	Chrome
Mount Type	Surface/Wall
Style	Contemporary
Easy Clean	No
TMV2 Approved	No
TMV3 Approved	No
Handset Included	No
Head Included	Yes
Min Operating Pressure	0.5 Bar
Minimum Operation Pressure	1 Bar
No. Outlets	1.0000
Outlet Elbow Supplied	No