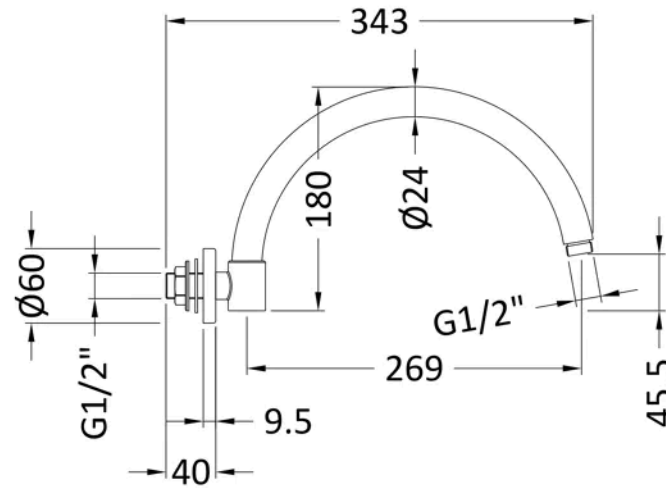


**Sales Code:** ARM06

**Barcode:** 5055146185796

**Brand:** nuie

**Description:** Chrome Wall-Mounted Shower Arm



### Product Dimensions

Product	180 x 60 x 343mm (H x W x D)
Packaged	70 x 200 x 370mm (H x W x D)
Outer Box	370 x 430 x 400mm (H x W x D)
Nett Weight	0.76 kg
Packaged Weight	0.76 kg

### Packaging Details

Label Size (mm)	50 x 100
Label Colour	White
Label Qty	2.0000

### Product Details

Country of Origin	China
Product Material	Brass
Colour/Finish	Chrome
Style	Traditional