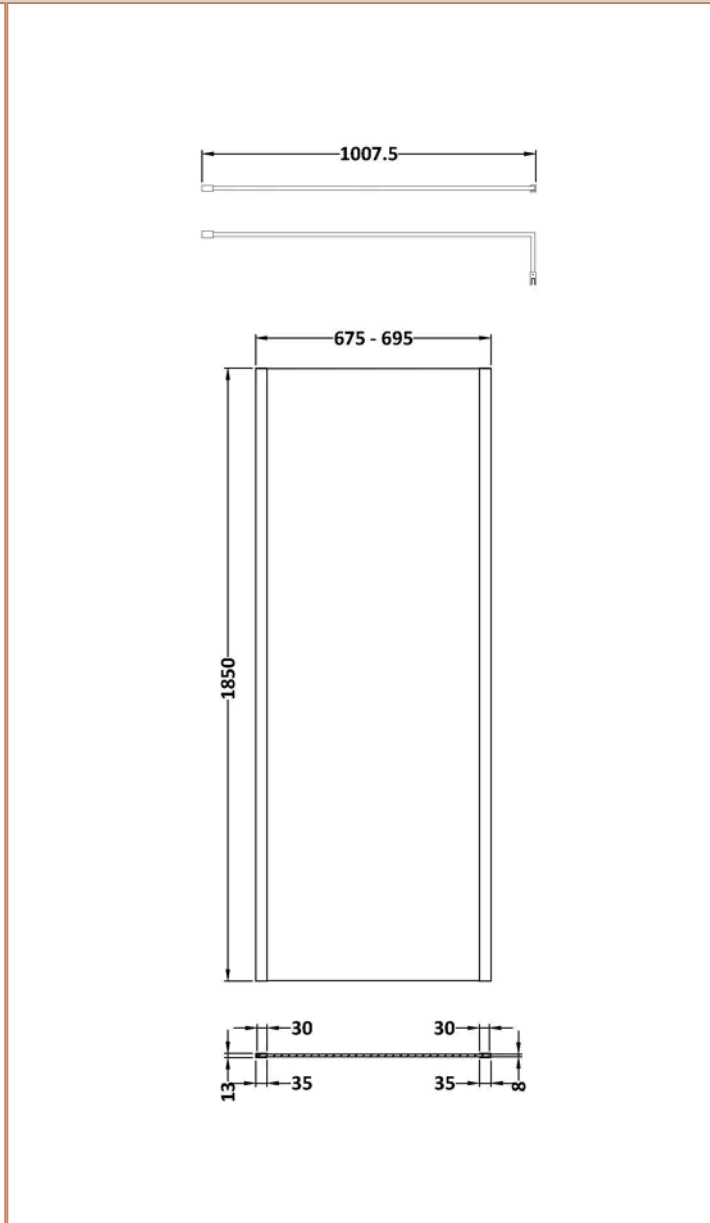
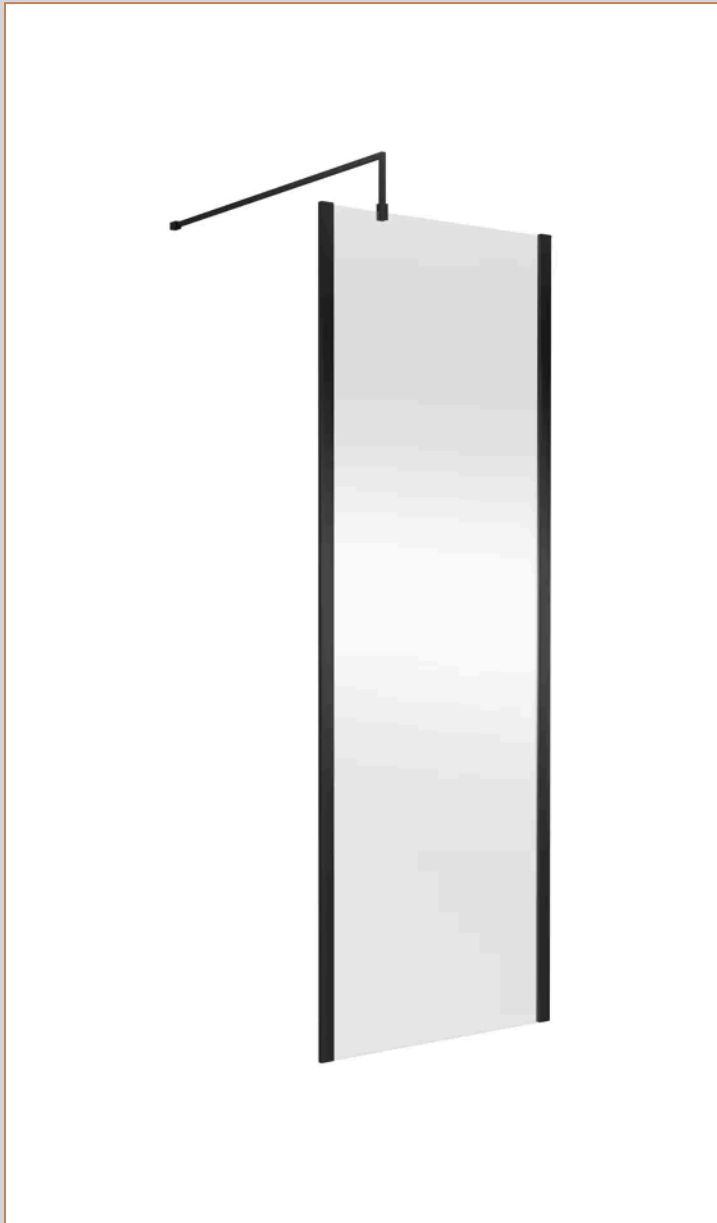


Sales Code: WRSCOBP70

Barcode: 5056462645131

Brand: nuie

Description: nuie 700mm Matt Black Wetroom Screen With Support Bar



Product Dimensions

Product	1850 x 700 x 14mm (H x W x D)
Packaged	2070 x 750 x 60mm (H x W x D)
Nett Weight	31.1 kg
Packaged Weight	31.1 kg

Product Details

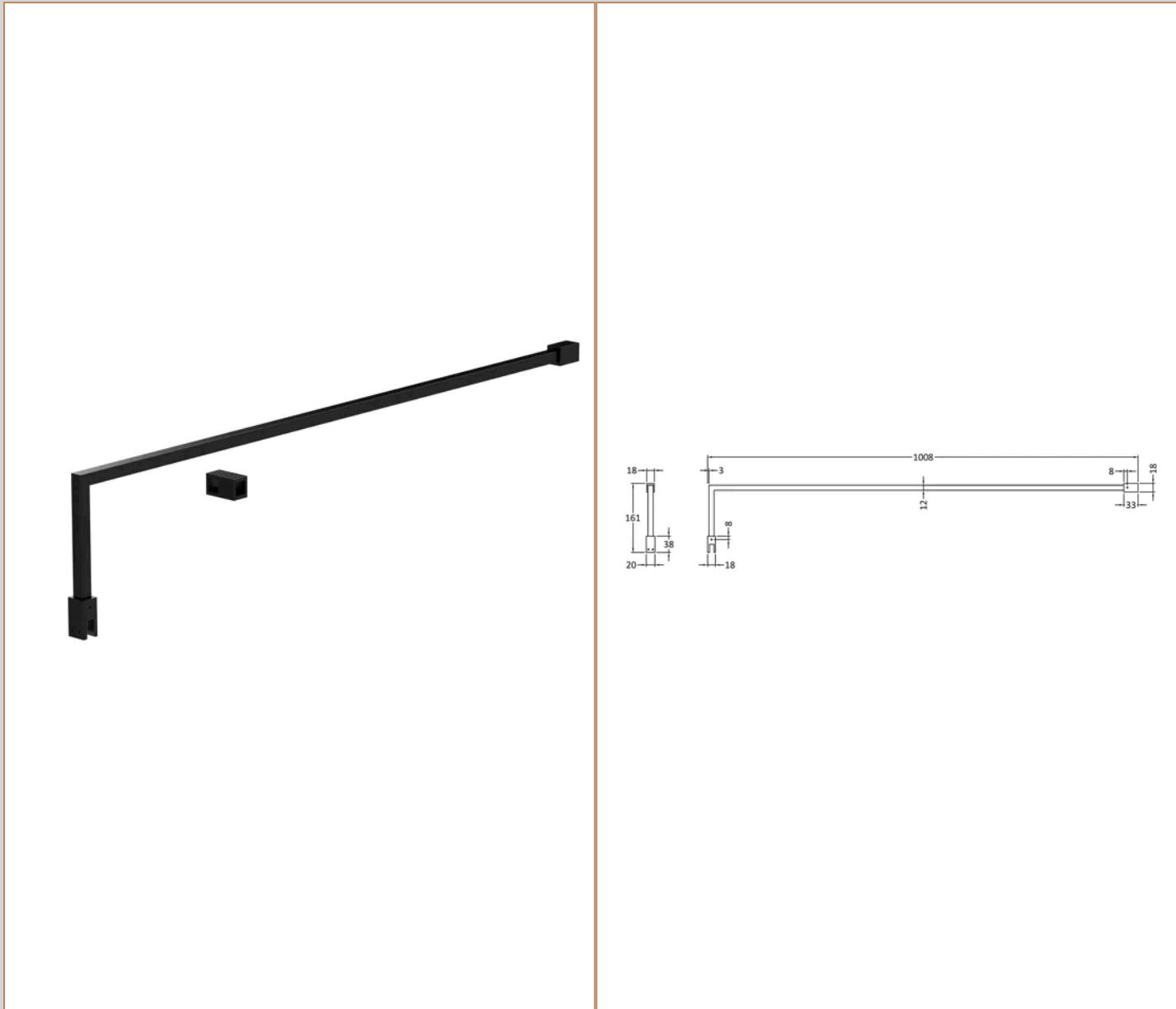
Country of Origin	China
Product Material	Aluminium
Colour/Finish	Matt Black
Style	Contemporary
Easy Clean	No
Adjustment Max	700
Adjustment Min	680
Ce Certified	Yes
Declaration Of Performance	Yes
Easy Fit	No
Enclosure Design	Semi-Frameless
Frame Finish	Matt Black
Glass Thickness	8 mm
Handles Included	No
Ukca Certified	Yes

Sales Code: FIX024

Barcode: 5056211847342

Brand: Hudson Reed

Description: Matt Black Wetroom Screen Support Arm



Product Dimensions

Product	15 x 150 x 1000mm (H x W x D)
Packaged	35 x 160 x 1020mm (H x W x D)
Nett Weight	0.67 kg
Packaged Weight	0.7 kg

Product Details

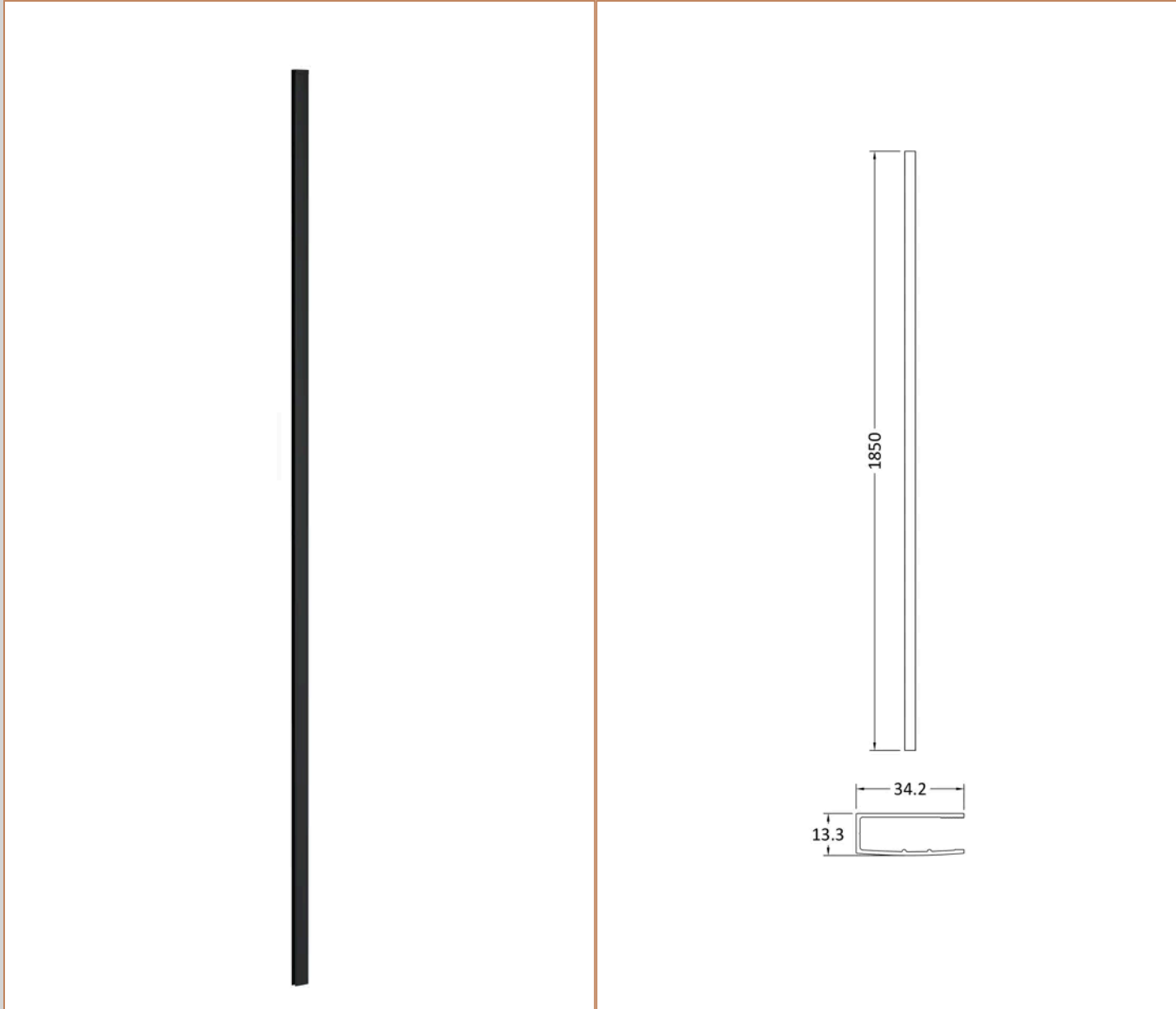
Country of Origin	China
Product Material	Stainless Steel
Colour/Finish	Matt Black
Style	Contemporary

Sales Code: WRSF009

Barcode: 5056211897224

Brand: nuie

Description: Matt Black 1850mm Wetroom Wall Channel



Product Dimensions

Product	60 x 185 x 1860mm (H x W x D)
Packaged	400 x 50 x 1860mm (H x W x D)
Nett Weight	0.6 kg
Packaged Weight	0.6 kg

Product Details

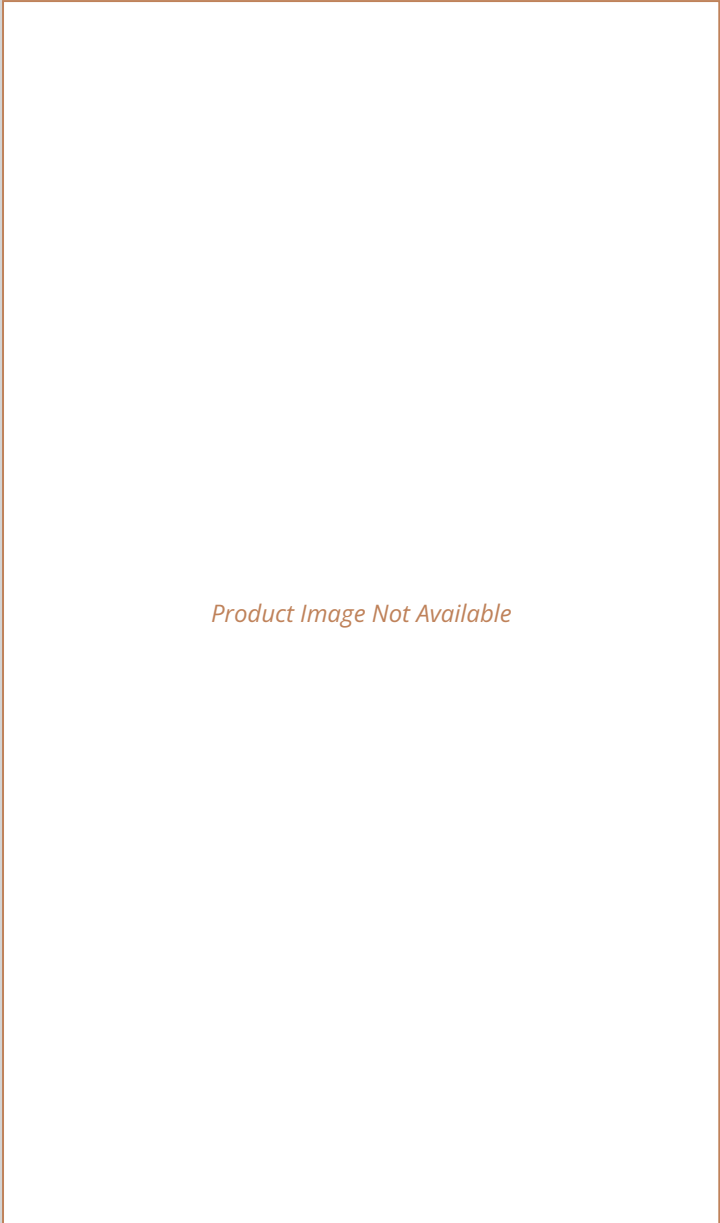
Product Material	Aluminium
------------------	-----------

Sales Code: WRSF009U

Barcode: 5056462644875

Brand: nuie

Description: 1850 Decorative Profile Undrilled Black



Product Dimensions

Product	60 x 185 x 1860mm (H x W x D)
Packaged	400 x 50 x 1860mm (H x W x D)
Nett Weight	0.6 kg
Packaged Weight	0.6 kg

Product Details

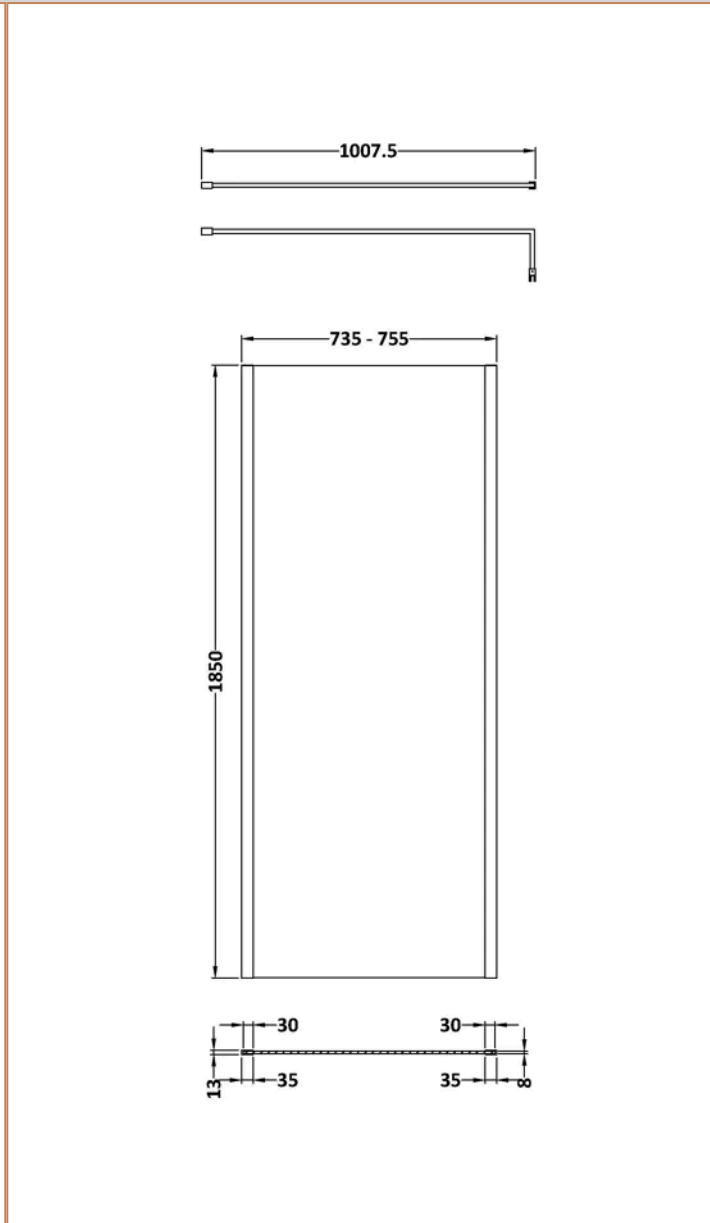
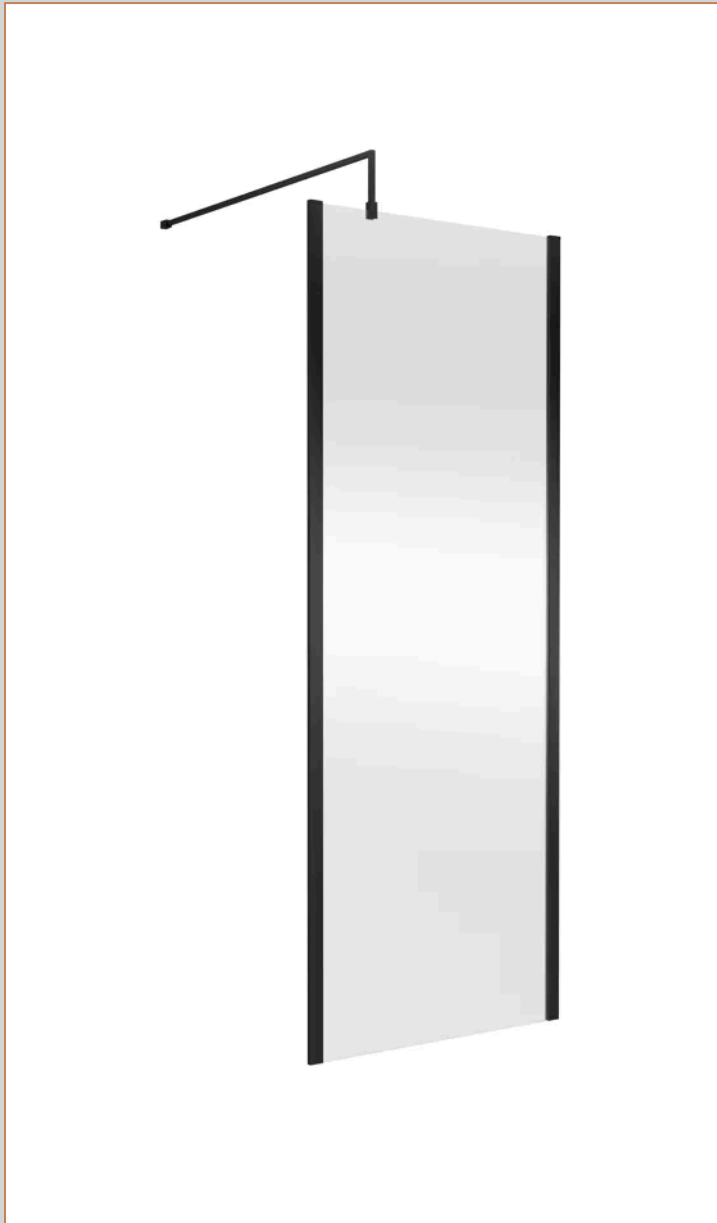
Product Material	Aluminium
------------------	-----------

Sales Code: WRSCOBP76

Barcode: 5056462645148

Brand: nuie

Description: nuie 760mm Matt Black Wetroom Screen With Support Bar



Product Dimensions

Product	1850 x 760 x 14mm (H x W x D)
Packaged	1920 x 810 x 60mm (H x W x D)
Nett Weight	32.5 kg
Packaged Weight	32.5 kg

Product Details

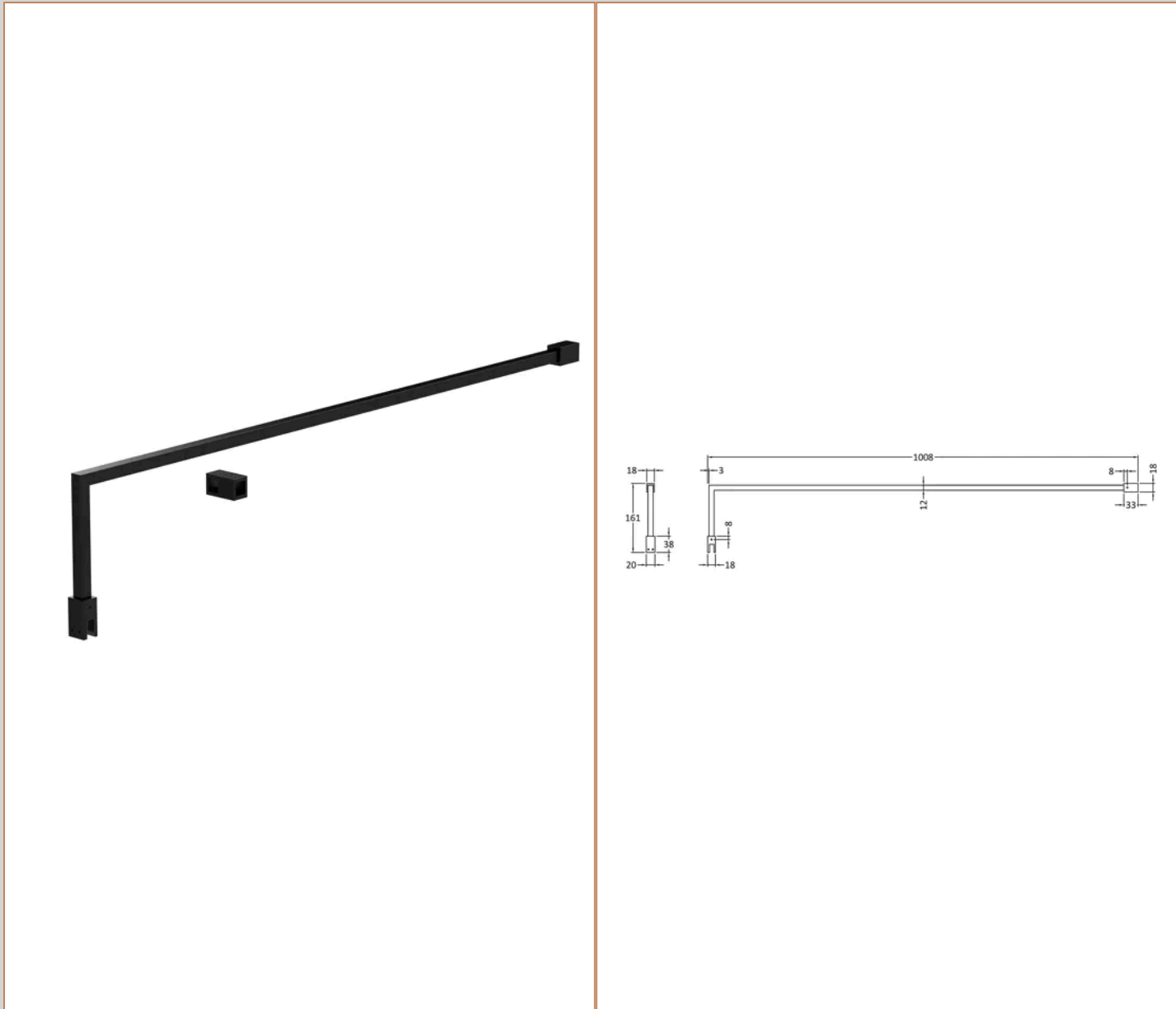
Country of Origin	China
Product Material	Aluminium
Colour/Finish	Matt Black
Style	Contemporary
Easy Clean	No
Adjustment Max	760
Adjustment Min	740
Ce Certified	Yes
Declaration Of Performance	Yes
Easy Fit	No
Enclosure Design	Semi-Frameless
Frame Finish	Matt Black
Glass Thickness	8 mm
Handles Included	No
Ukca Certified	Yes

Sales Code: FIX024

Barcode: 5056211847342

Brand: Hudson Reed

Description: Matt Black Wetroom Screen Support Arm



Product Dimensions

Product	15 x 150 x 1000mm (H x W x D)
Packaged	35 x 160 x 1020mm (H x W x D)
Nett Weight	0.67 kg
Packaged Weight	0.7 kg

Product Details

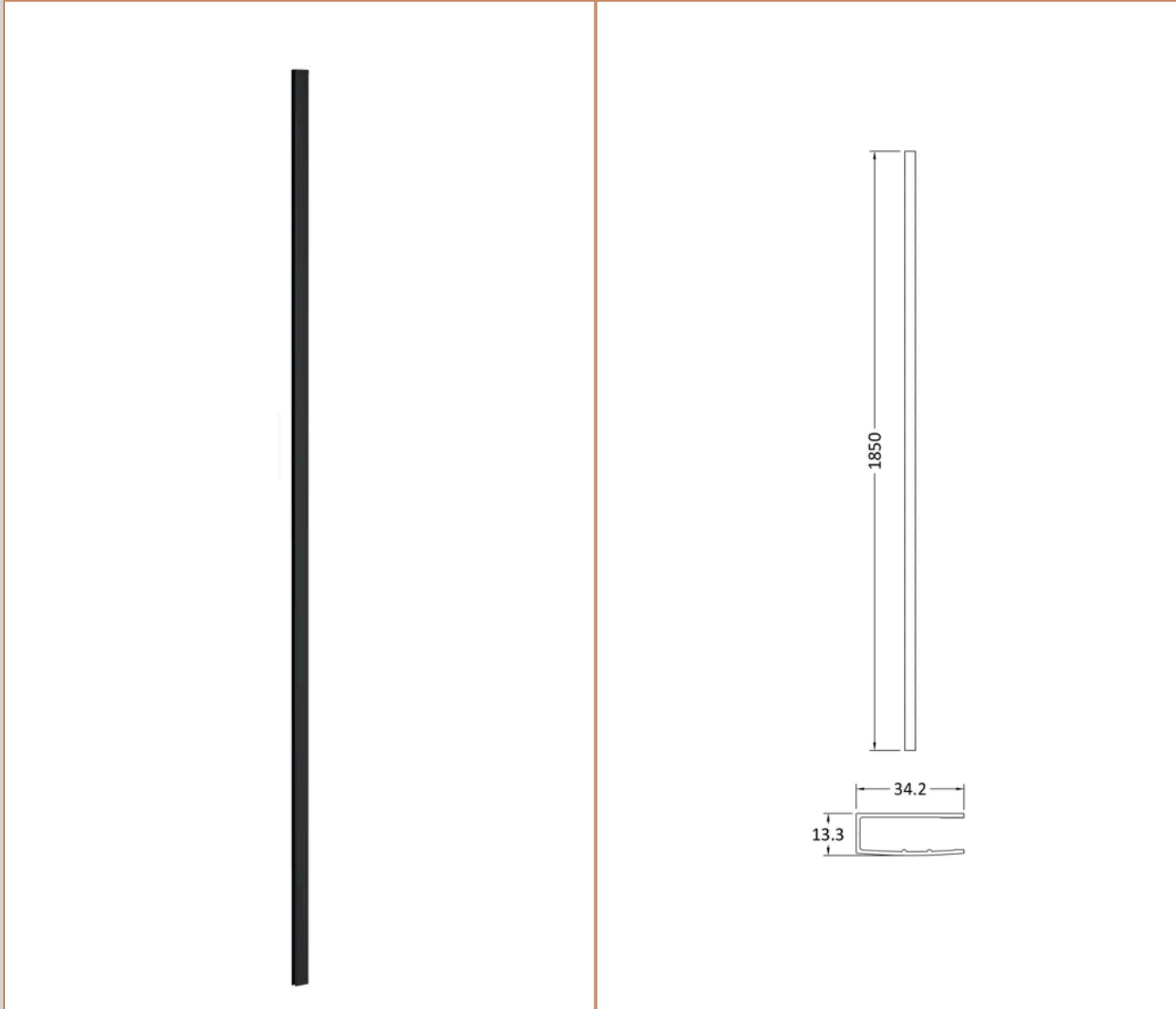
Country of Origin	China
Product Material	Stainless Steel
Colour/Finish	Matt Black
Style	Contemporary

Sales Code: WRSF009

Barcode: 5056211897224

Brand: nuie

Description: Matt Black 1850mm Wetroom Wall Channel



Product Dimensions

Product	60 x 185 x 1860mm (H x W x D)
Packaged	400 x 50 x 1860mm (H x W x D)
Nett Weight	0.6 kg
Packaged Weight	0.6 kg

Product Details

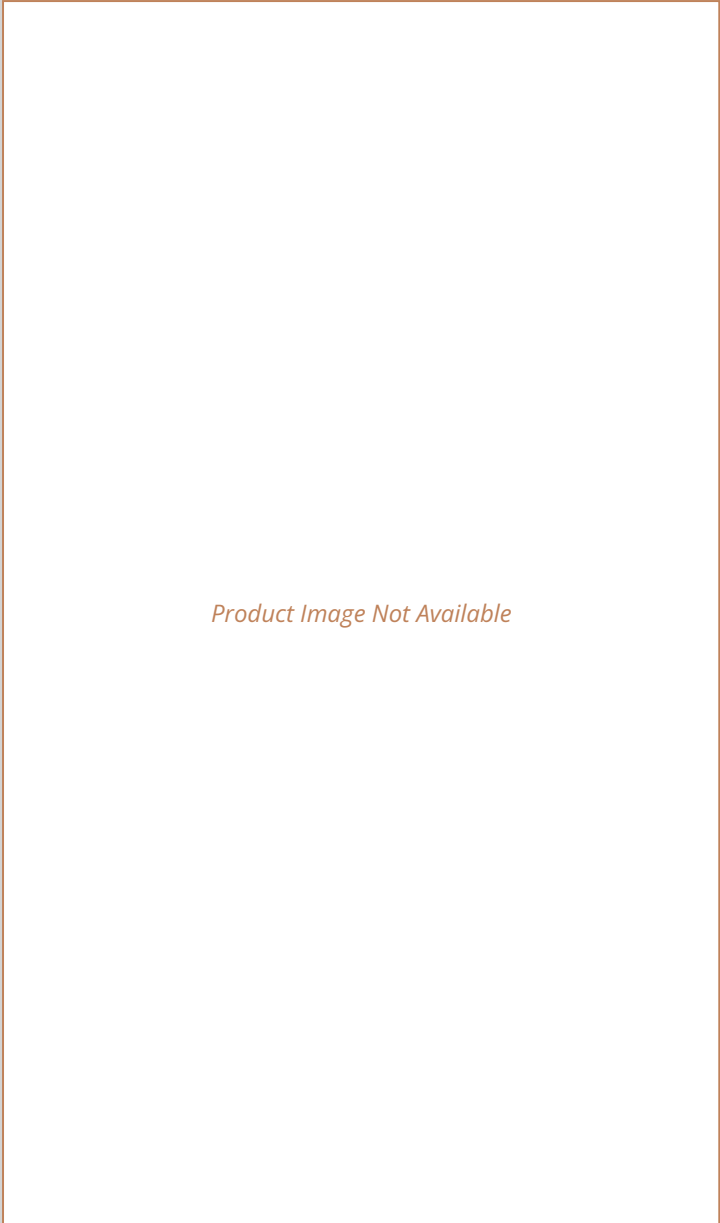
Product Material	Aluminium
------------------	-----------

Sales Code: WRSF009U

Barcode: 5056462644875

Brand: nuie

Description: 1850 Decorative Profile Undrilled Black



Product Dimensions

Product	60 x 185 x 1860mm (H x W x D)
Packaged	400 x 50 x 1860mm (H x W x D)
Nett Weight	0.6 kg
Packaged Weight	0.6 kg

Product Details

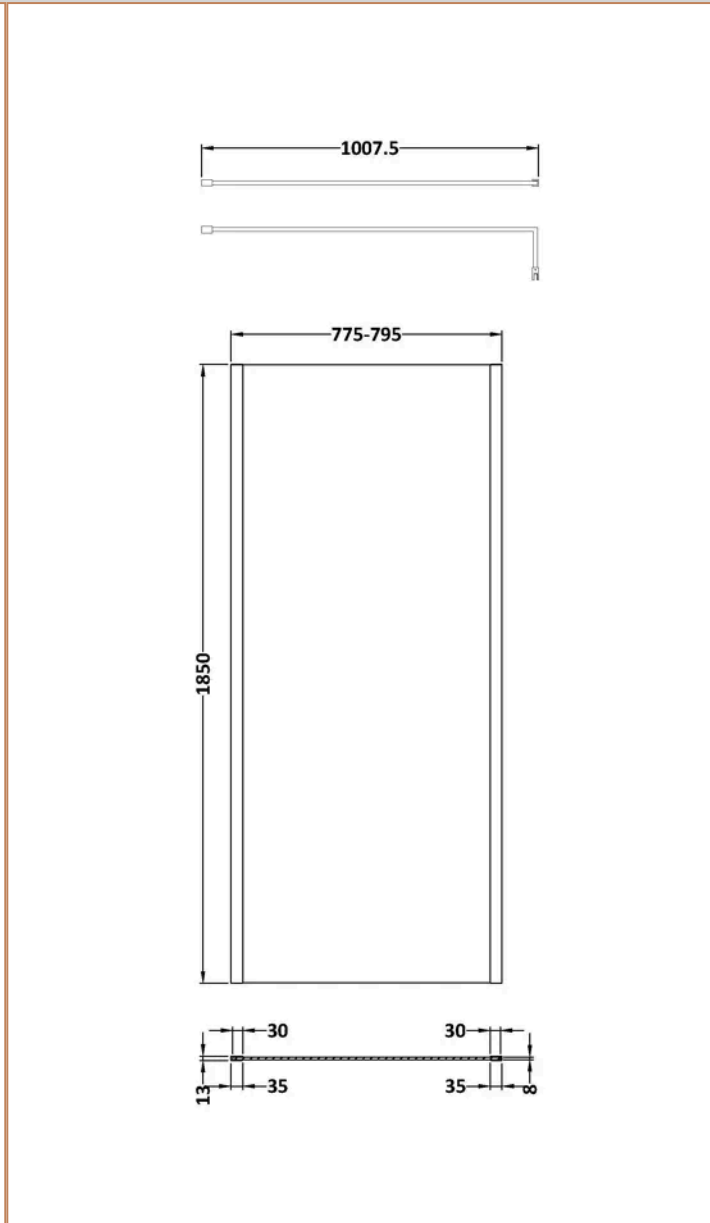
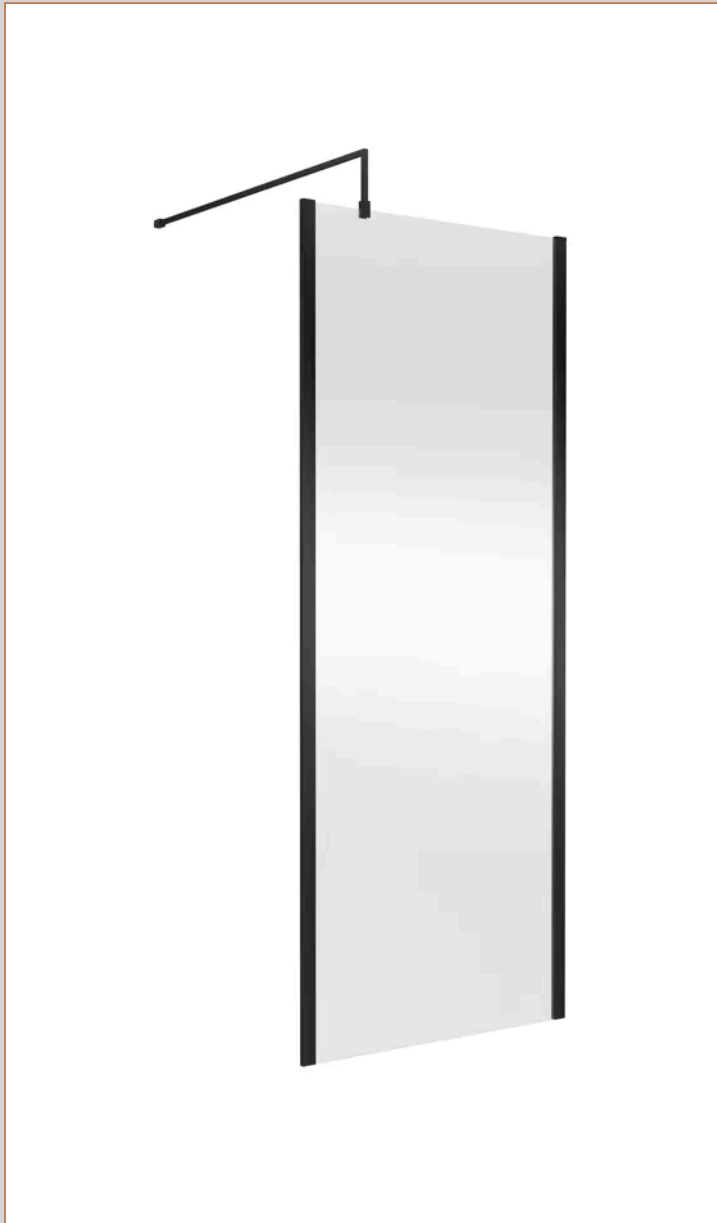
Product Material	Aluminium
------------------	-----------

Sales Code: WRSCOBP80

Barcode: 5056462645155

Brand: nuie

Description: nuie 800mm Matt Black Wetroom Screen With Support Bar



Product Dimensions

Product	1850 x 800 x 14mm (H x W x D)
Packaged	2070 x 850 x 60mm (H x W x D)
Nett Weight	35.9 kg
Packaged Weight	35.9 kg

Product Details

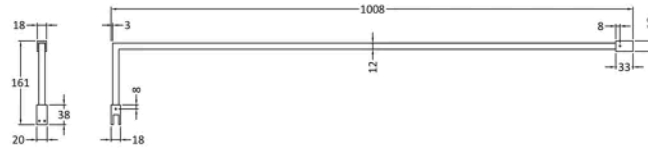
Country of Origin	China
Product Material	Aluminium
Colour/Finish	Matt Black
Style	Contemporary
Easy Clean	No
Adjustment Max	800
Adjustment Min	780
Ce Certified	Yes
Declaration Of Performance	Yes
Easy Fit	No
Enclosure Design	Semi-Frameless
Frame Finish	Matt Black
Glass Thickness	8 mm
Handles Included	No
Ukca Certified	Yes

Sales Code: FIX024

Barcode: 5056211847342

Brand: Hudson Reed

Description: Matt Black Wetroom Screen Support Arm



Product Dimensions

Product	15 x 150 x 1000mm (H x W x D)
Packaged	35 x 160 x 1020mm (H x W x D)
Nett Weight	0.67 kg
Packaged Weight	0.7 kg

Product Details

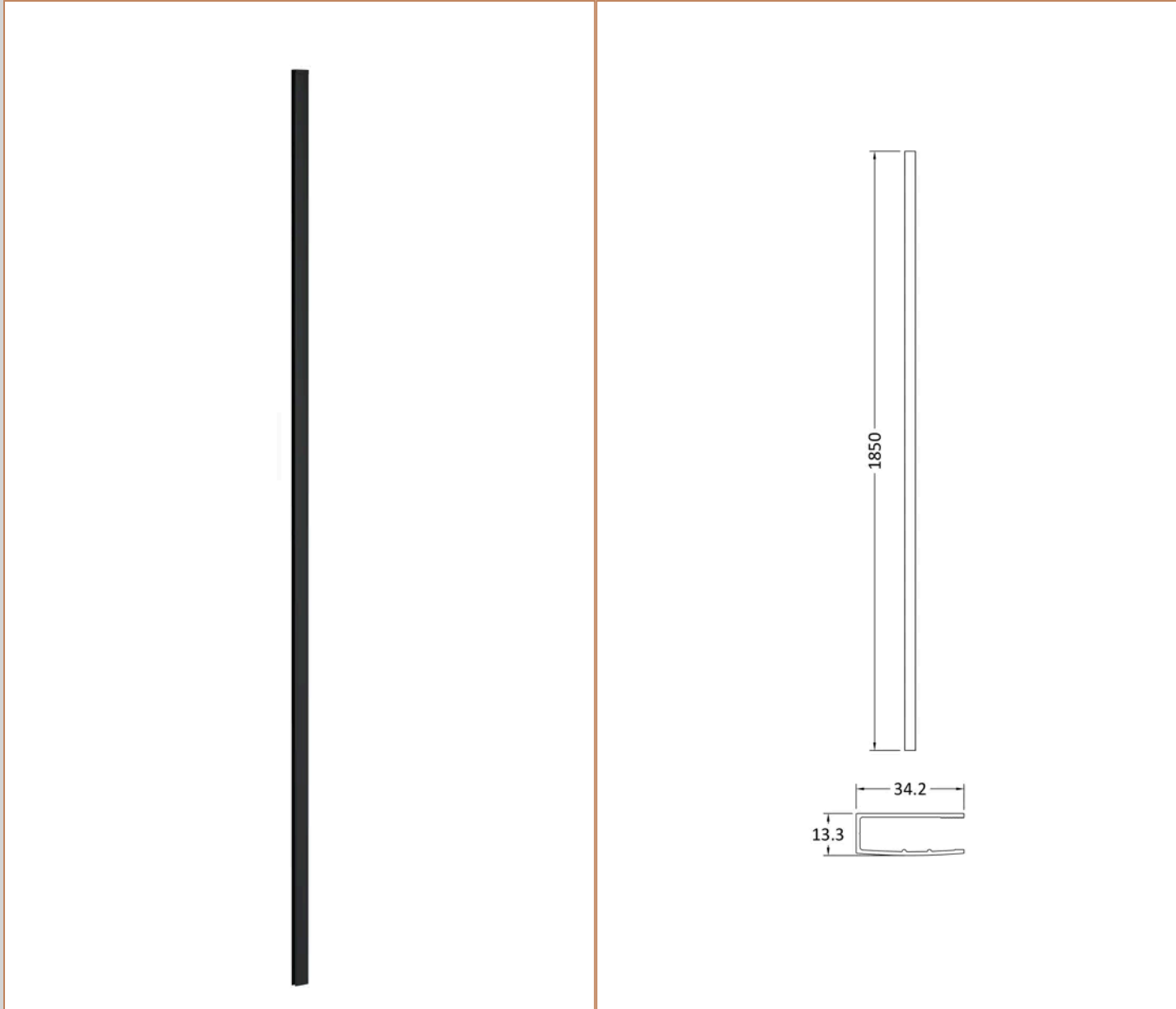
Country of Origin	China
Product Material	Stainless Steel
Colour/Finish	Matt Black
Style	Contemporary

Sales Code: WRSF009

Barcode: 5056211897224

Brand: nuie

Description: Matt Black 1850mm Wetroom Wall Channel



Product Dimensions

Product	60 x 185 x 1860mm (H x W x D)
Packaged	400 x 50 x 1860mm (H x W x D)
Nett Weight	0.6 kg
Packaged Weight	0.6 kg

Product Details

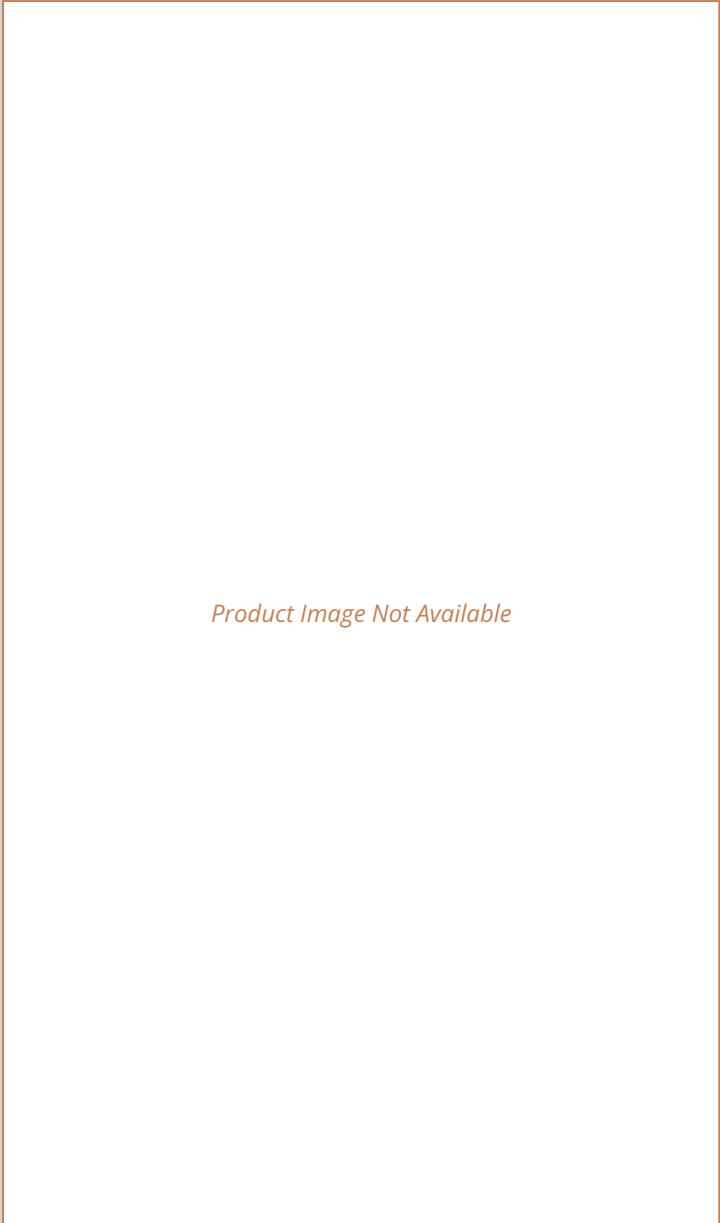
Product Material	Aluminium
------------------	-----------

Sales Code: WRSF009U

Barcode: 5056462644875

Brand: nuie

Description: 1850 Decorative Profile Undrilled Black



Product Dimensions

Product	60 x 185 x 1860mm (H x W x D)
Packaged	400 x 50 x 1860mm (H x W x D)
Nett Weight	0.6 kg
Packaged Weight	0.6 kg

Product Details

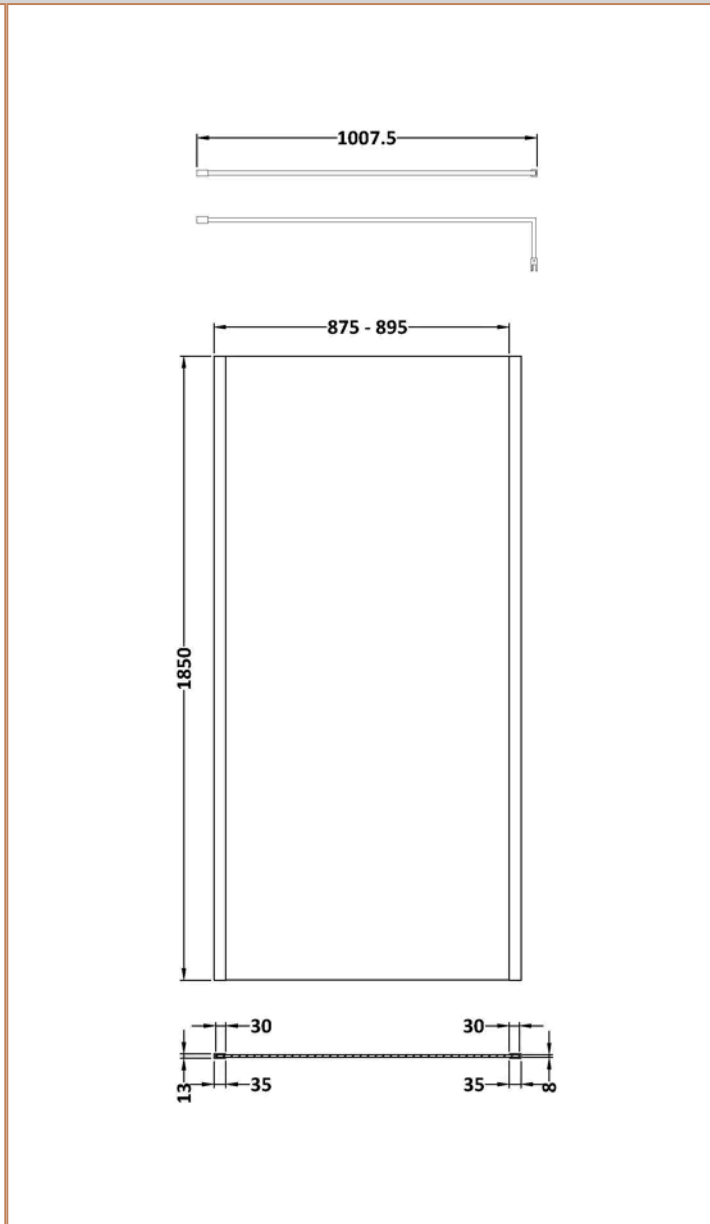
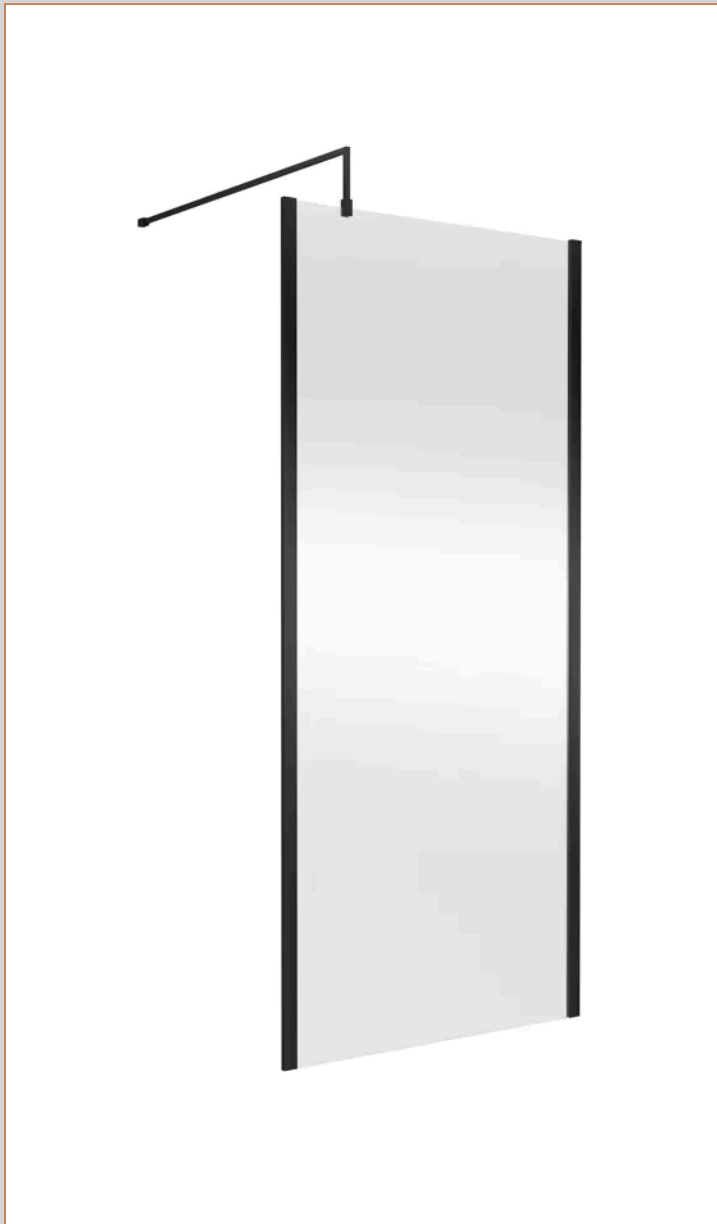
Product Material	Aluminium
------------------	-----------

Sales Code: WRSCOBP90

Barcode: 5056462645162

Brand: nuie

Description: nuie 900mm Matt Black Wetroom Screen With Support Bar



Product Dimensions

Product	1850 x 900 x 14mm (H x W x D)
Packaged	2070 x 950 x 60mm (H x W x D)
Nett Weight	40.3 kg
Packaged Weight	40.3 kg

Product Details

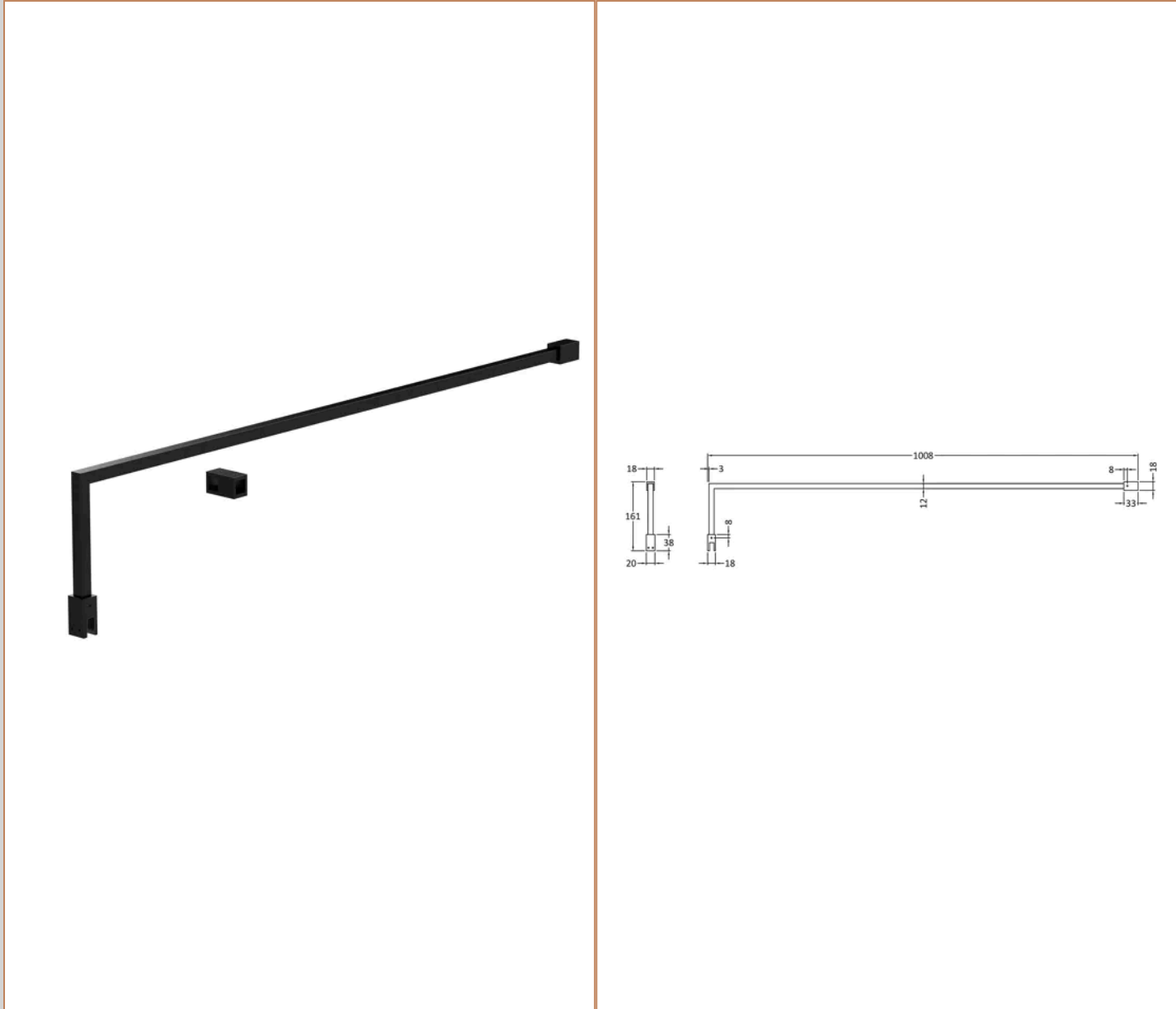
Country of Origin	China
Product Material	Aluminium
Colour/Finish	Matt Black
Style	Contemporary
Easy Clean	No
Adjustment Max	900
Adjustment Min	880
Ce Certified	Yes
Declaration Of Performance	Yes
Easy Fit	No
Enclosure Design	Semi-Frameless
Frame Finish	Matt Black
Glass Thickness	8 mm
Handles Included	No
Ukca Certified	Yes

Sales Code: FIX024

Barcode: 5056211847342

Brand: Hudson Reed

Description: Matt Black Wetroom Screen Support Arm



Product Dimensions

Product	15 x 150 x 1000mm (H x W x D)
Packaged	35 x 160 x 1020mm (H x W x D)
Nett Weight	0.67 kg
Packaged Weight	0.7 kg

Product Details

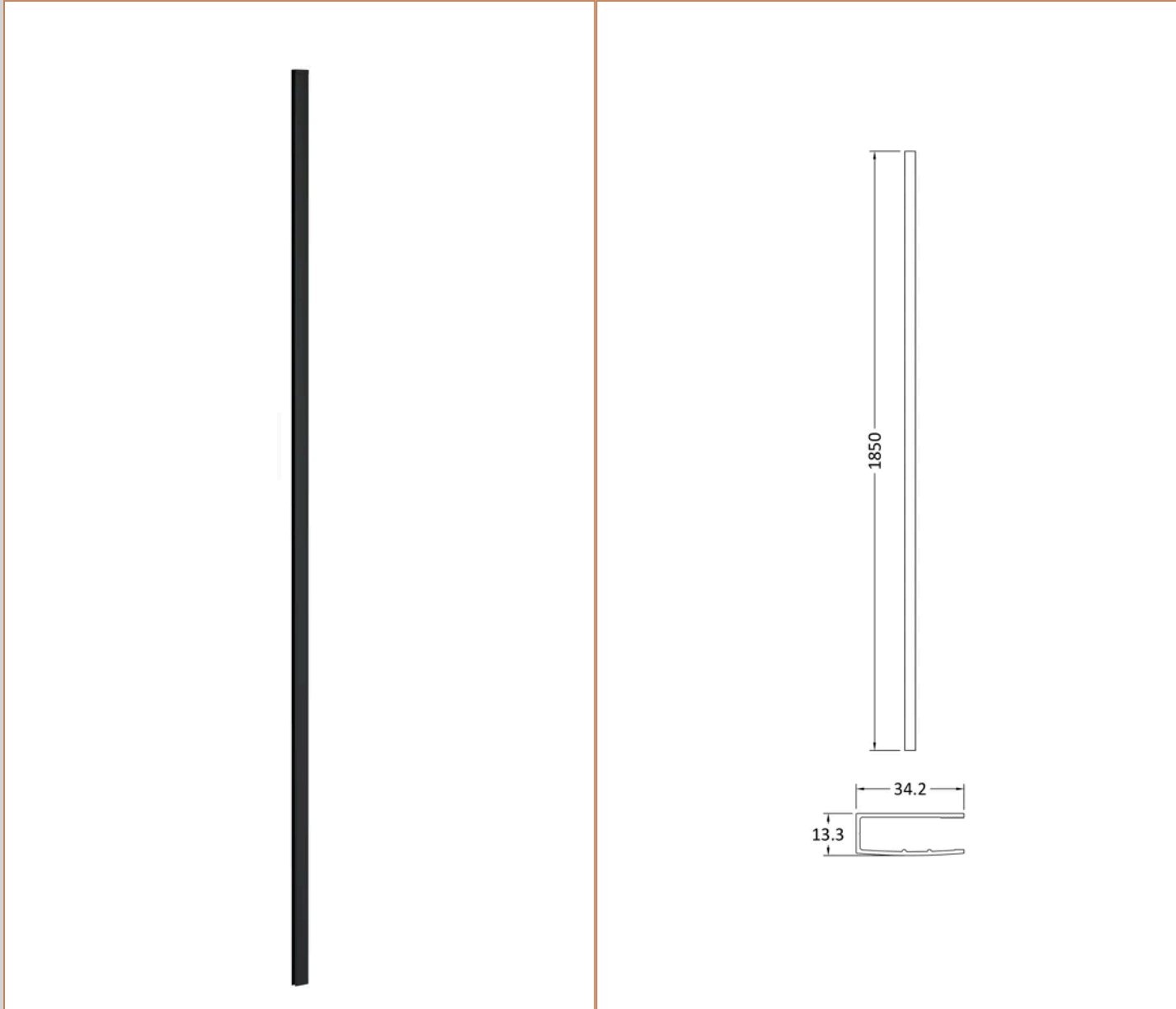
Country of Origin	China
Product Material	Stainless Steel
Colour/Finish	Matt Black
Style	Contemporary

Sales Code: WRSF009

Barcode: 5056211897224

Brand: nuie

Description: Matt Black 1850mm Wetroom Wall Channel



Product Dimensions

Product	60 x 185 x 1860mm (H x W x D)
Packaged	400 x 50 x 1860mm (H x W x D)
Nett Weight	0.6 kg
Packaged Weight	0.6 kg

Product Details

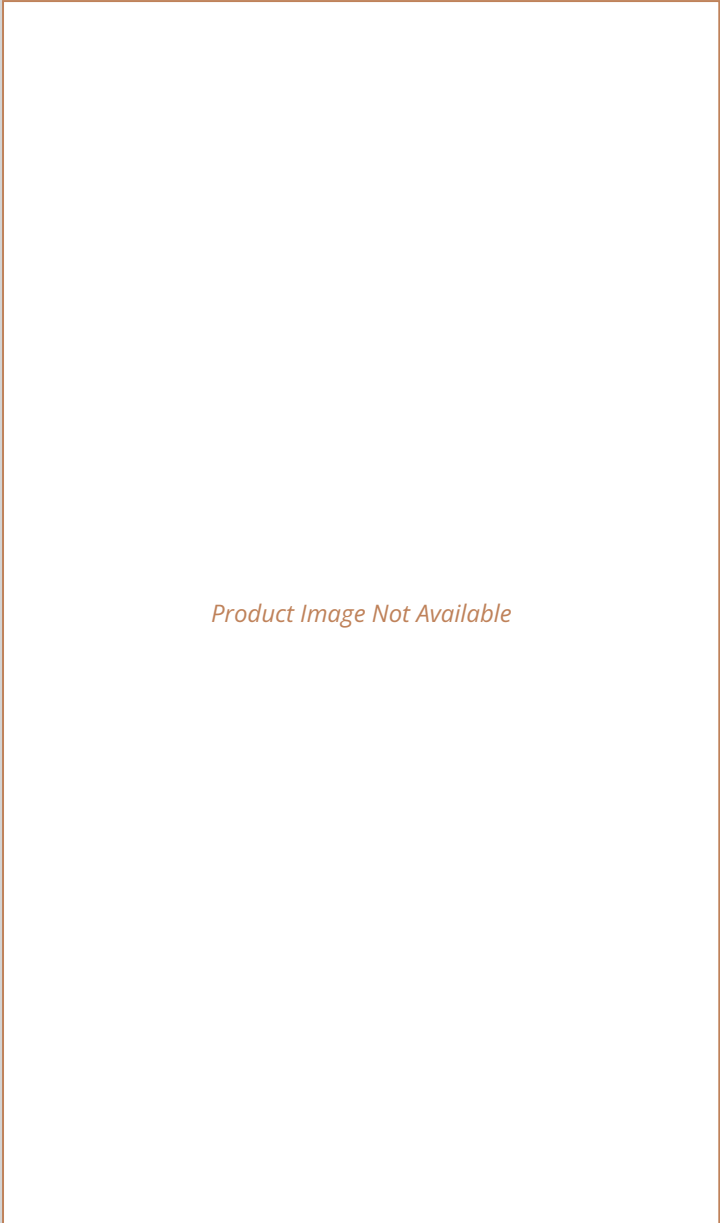
Product Material	Aluminium
------------------	-----------

Sales Code: WRSF009U

Barcode: 5056462644875

Brand: nuie

Description: 1850 Decorative Profile Undrilled Black



Product Dimensions

Product	60 x 185 x 1860mm (H x W x D)
Packaged	400 x 50 x 1860mm (H x W x D)
Nett Weight	0.6 kg
Packaged Weight	0.6 kg

Product Details

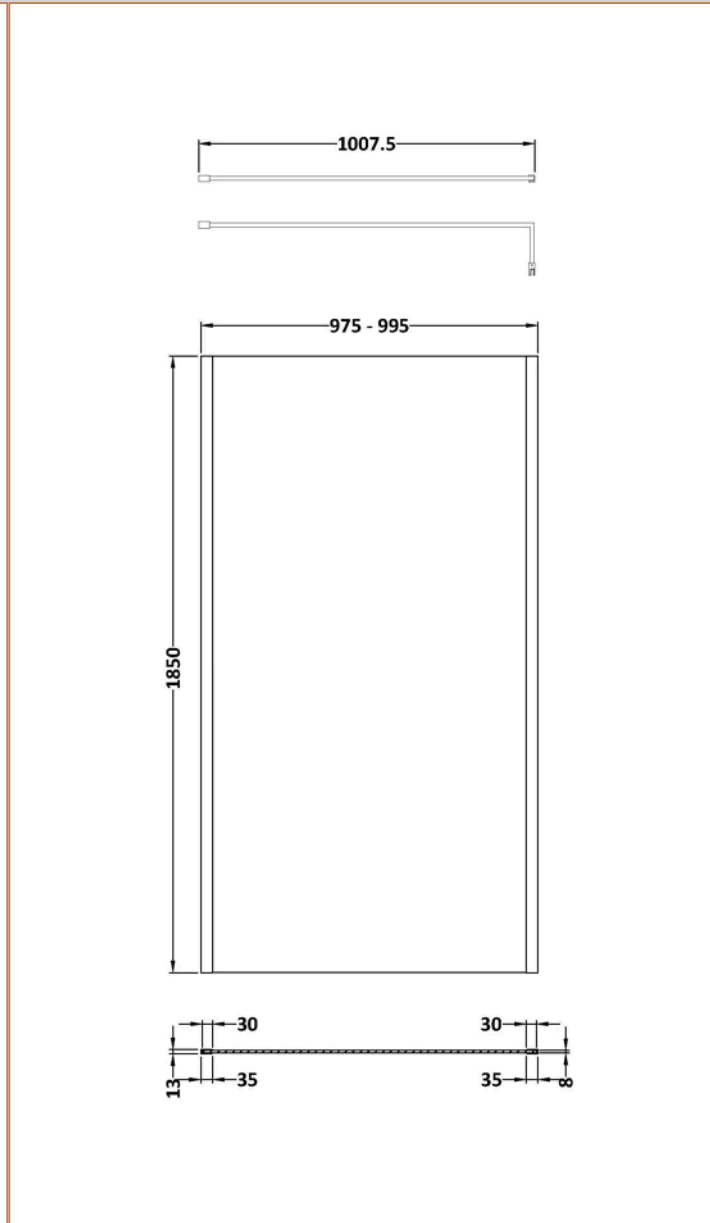
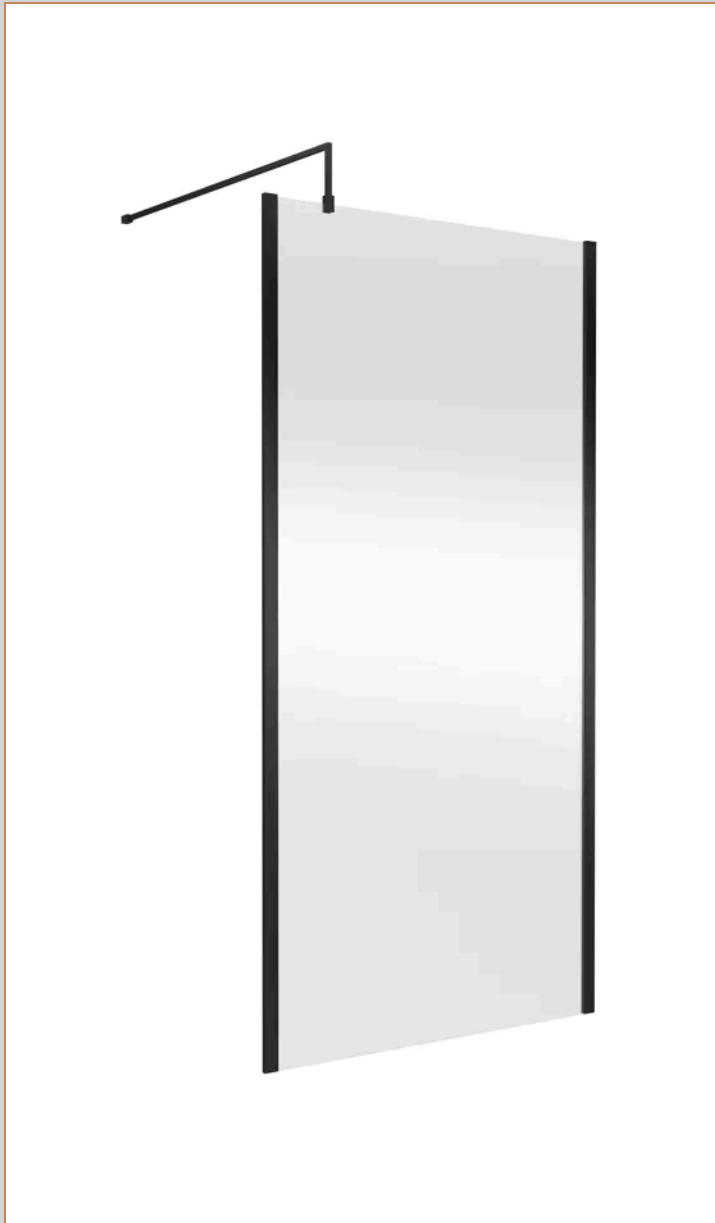
Product Material	Aluminium
------------------	-----------

Sales Code: WRSCOBP10

Barcode: 5056462645179

Brand: nuie

Description: nuie 1000mm Matt Black Wetroom Screen With Support Bar



Product Dimensions

Product	1850 x 1000 x 14mm (H x W x D)
Packaged	1920 x 1050 x 60mm (H x W x D)
Nett Weight	42.5 kg
Packaged Weight	42.5 kg

Product Details

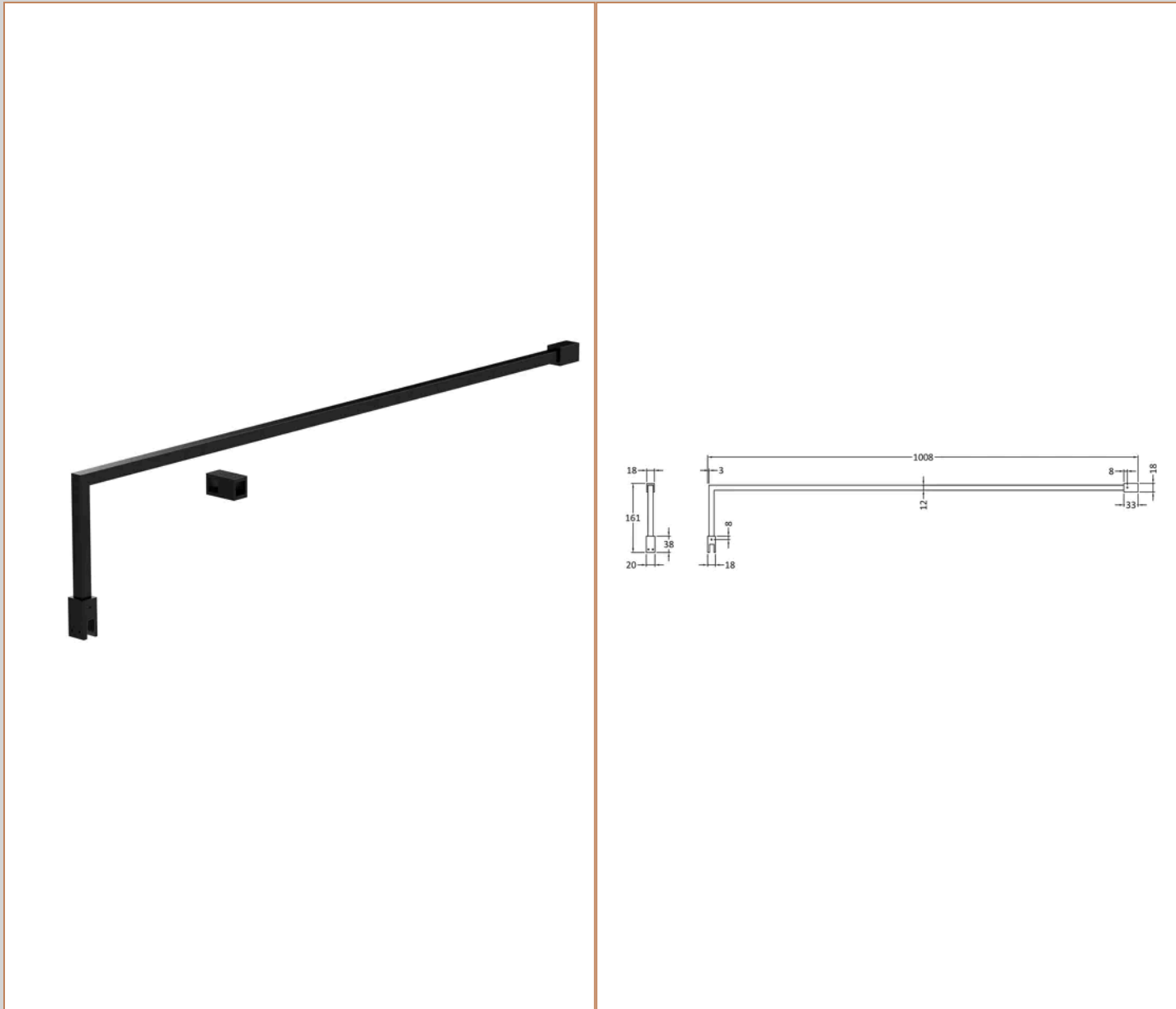
Country of Origin	China
Product Material	Aluminium
Colour/Finish	Matt Black
Style	Contemporary
Easy Clean	No
Adjustment Max	1000
Adjustment Min	980
Ce Certified	Yes
Declaration Of Performance	Yes
Easy Fit	No
Enclosure Design	Semi-Frameless
Frame Finish	Matt Black
Glass Thickness	8 mm
Handles Included	No
Ukca Certified	Yes

Sales Code: FIX024

Barcode: 5056211847342

Brand: Hudson Reed

Description: Matt Black Wetroom Screen Support Arm



Product Dimensions

Product	15 x 150 x 1000mm (H x W x D)
Packaged	35 x 160 x 1020mm (H x W x D)
Nett Weight	0.67 kg
Packaged Weight	0.7 kg

Product Details

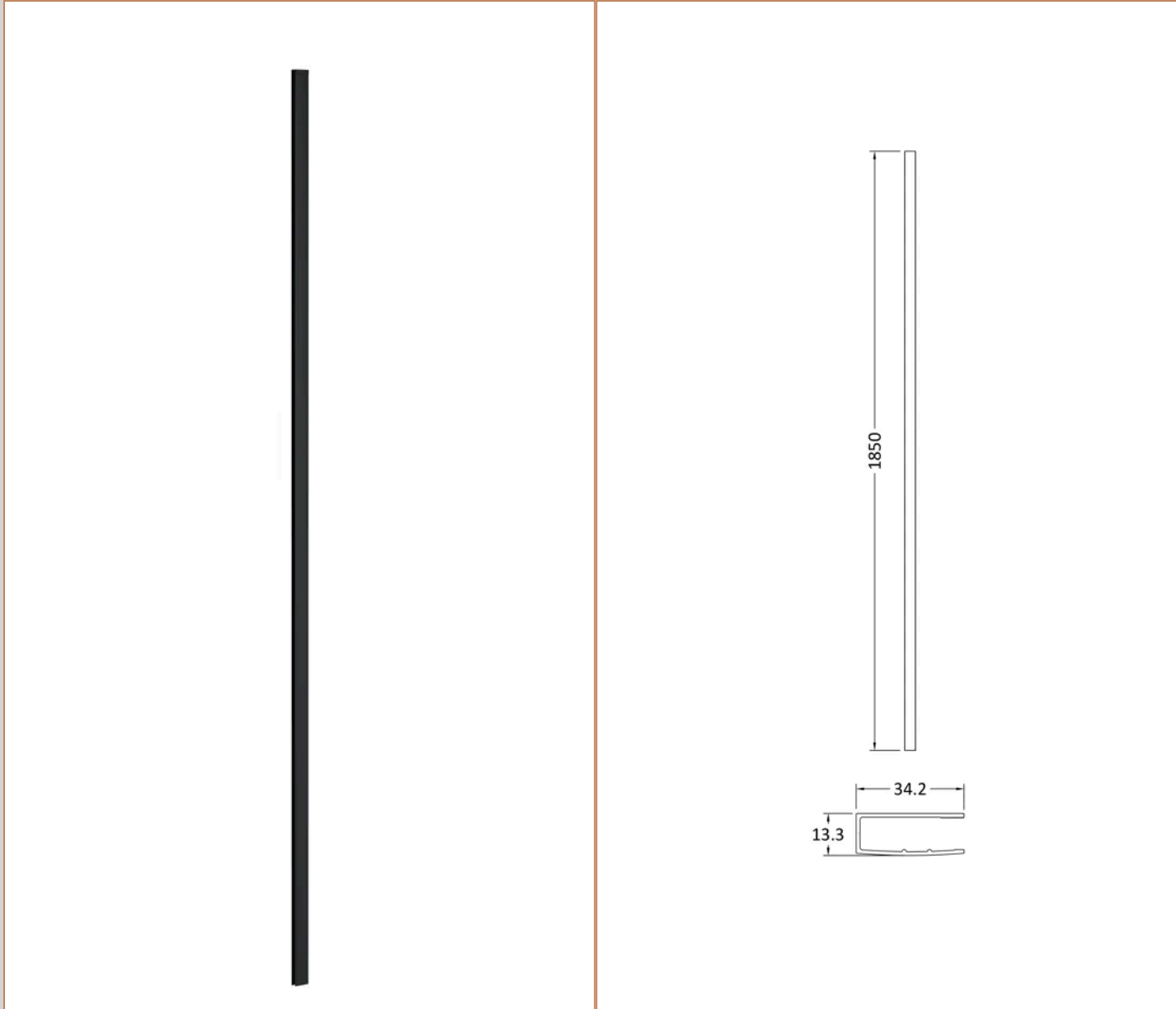
Country of Origin	China
Product Material	Stainless Steel
Colour/Finish	Matt Black
Style	Contemporary

Sales Code: WRSF009

Barcode: 5056211897224

Brand: nuie

Description: Matt Black 1850mm Wetroom Wall Channel



Product Dimensions

Product	60 x 185 x 1860mm (H x W x D)
Packaged	400 x 50 x 1860mm (H x W x D)
Nett Weight	0.6 kg
Packaged Weight	0.6 kg

Product Details

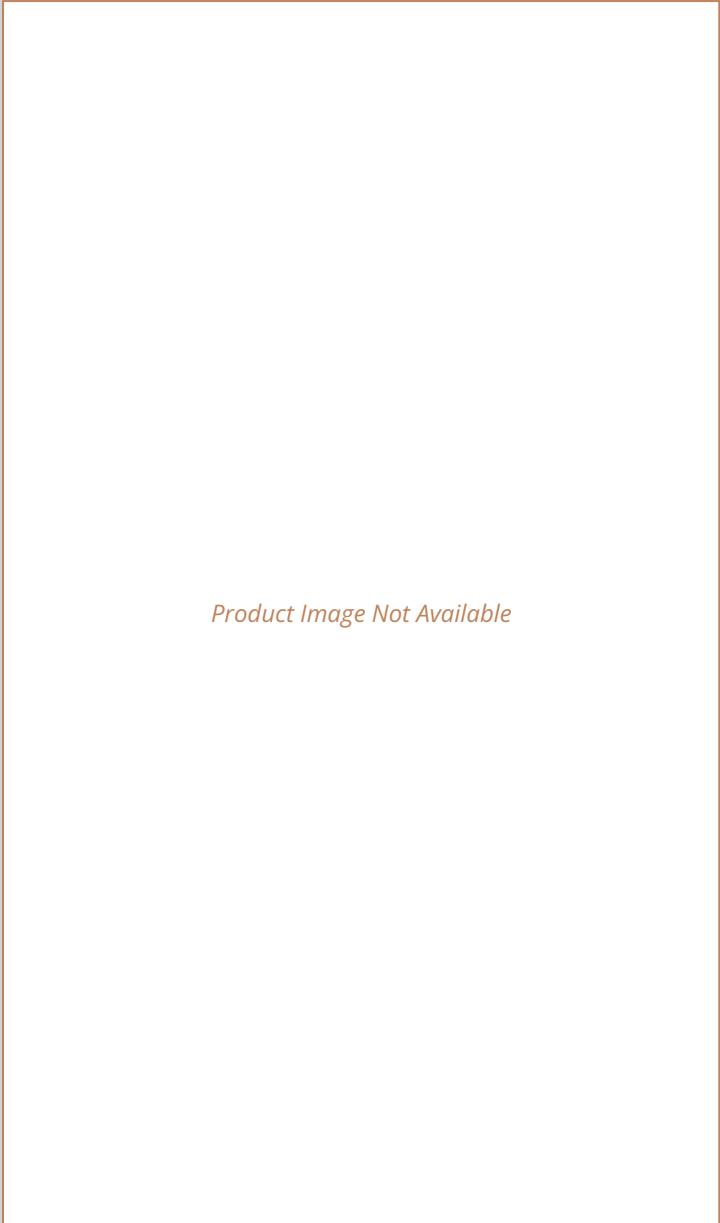
Product Material	Aluminium
------------------	-----------

Sales Code: WRSF009U

Barcode: 5056462644875

Brand: nuie

Description: 1850 Decorative Profile Undrilled Black



Product Dimensions

Product	60 x 185 x 1860mm (H x W x D)
Packaged	400 x 50 x 1860mm (H x W x D)
Nett Weight	0.6 kg
Packaged Weight	0.6 kg

Product Details

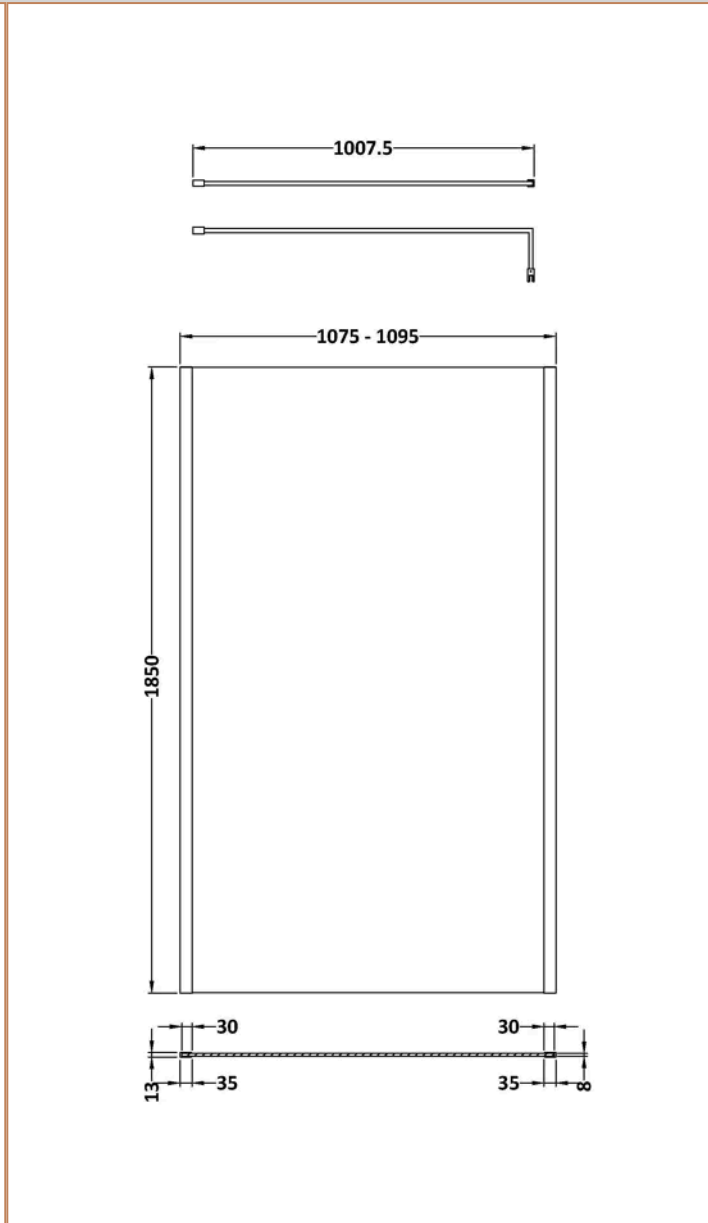
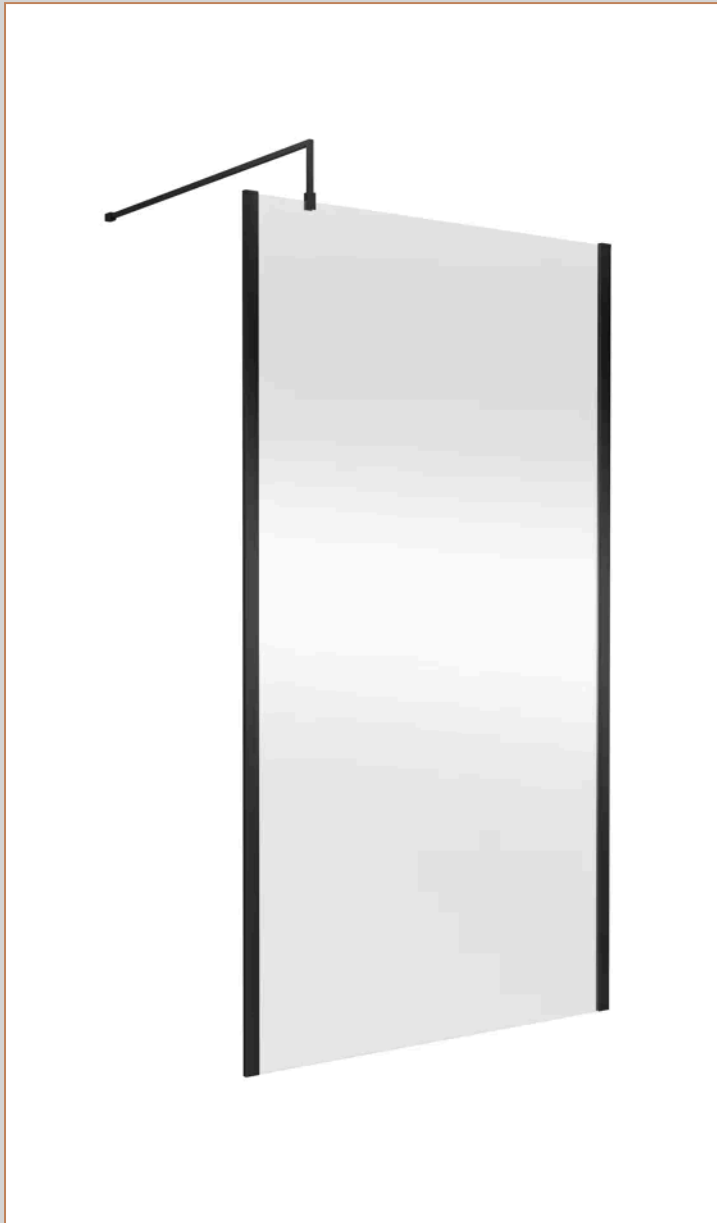
Product Material	Aluminium
------------------	-----------

Sales Code: WRSCOBP11

Barcode: 5056462645186

Brand: nuie

Description: nuie 1100mm Matt Black Wetroom Screen With Support Bar



Product Dimensions

Product	1850 x 1100 x 14mm (H x W x D)
Packaged	1920 x 1150 x 60mm (H x W x D)
Nett Weight	46 kg
Packaged Weight	46 kg

Product Details

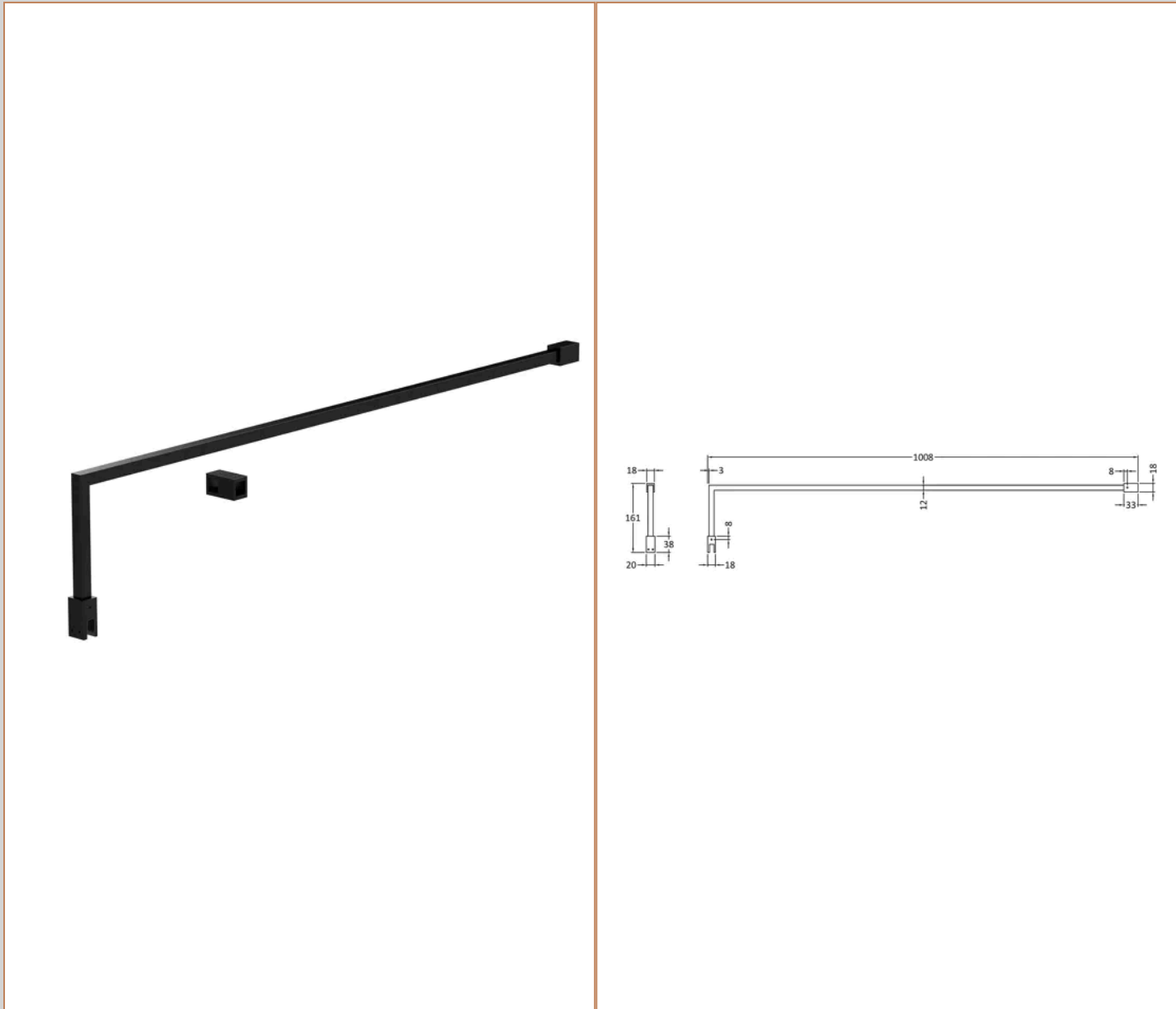
Country of Origin	China
Product Material	Aluminium
Colour/Finish	Matt Black
Style	Contemporary
Easy Clean	No
Adjustment Max	1000
Adjustment Min	1080
Ce Certified	Yes
Declaration Of Performance	Yes
Easy Fit	No
Enclosure Design	Semi-Frameless
Frame Finish	Matt Black
Glass Thickness	8 mm
Handles Included	No
Ukca Certified	Yes

Sales Code: FIX024

Barcode: 5056211847342

Brand: Hudson Reed

Description: Matt Black Wetroom Screen Support Arm



Product Dimensions

Product	15 x 150 x 1000mm (H x W x D)
Packaged	35 x 160 x 1020mm (H x W x D)
Nett Weight	0.67 kg
Packaged Weight	0.7 kg

Product Details

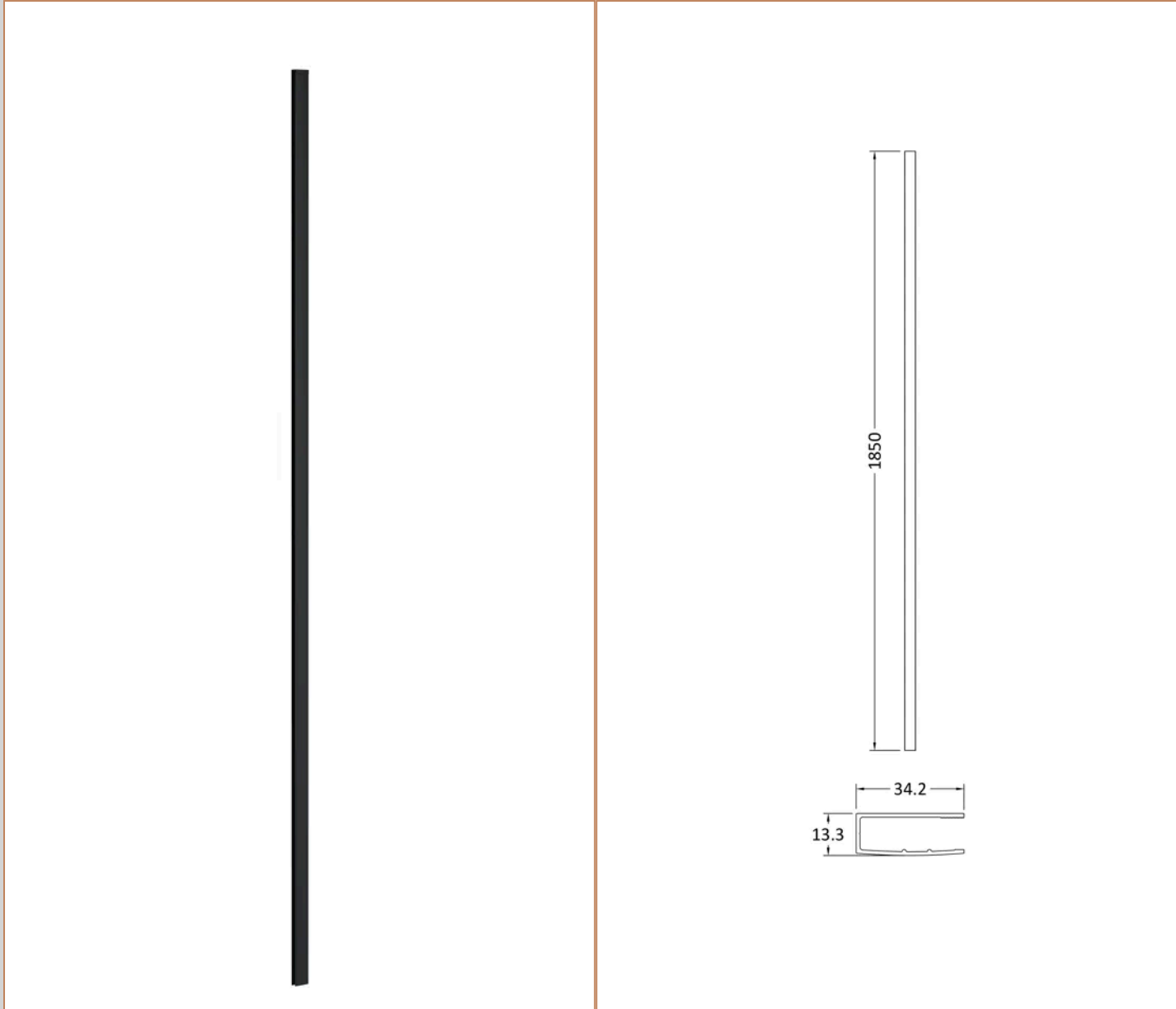
Country of Origin	China
Product Material	Stainless Steel
Colour/Finish	Matt Black
Style	Contemporary

Sales Code: WRSF009

Barcode: 5056211897224

Brand: nuie

Description: Matt Black 1850mm Wetroom Wall Channel



Product Dimensions

Product	60 x 185 x 1860mm (H x W x D)
Packaged	400 x 50 x 1860mm (H x W x D)
Nett Weight	0.6 kg
Packaged Weight	0.6 kg

Product Details

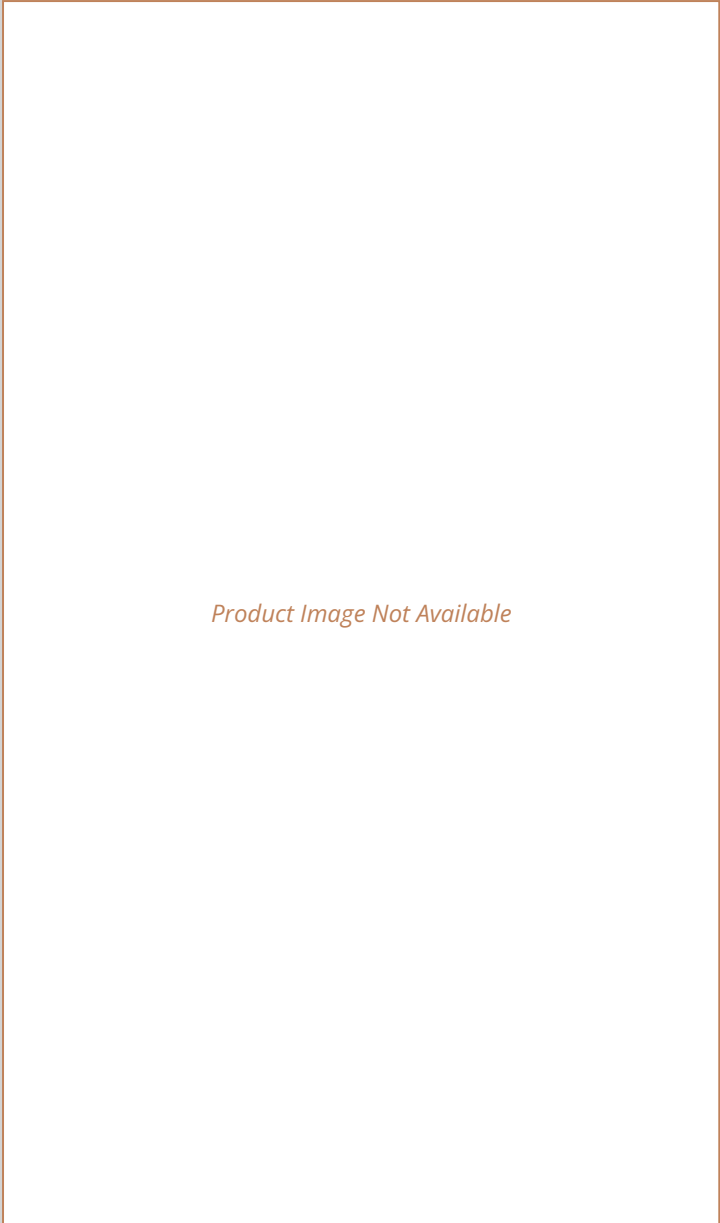
Product Material	Aluminium
------------------	-----------

Sales Code: WRSF009U

Barcode: 5056462644875

Brand: nuie

Description: 1850 Decorative Profile Undrilled Black



Product Dimensions

Product	60 x 185 x 1860mm (H x W x D)
Packaged	400 x 50 x 1860mm (H x W x D)
Nett Weight	0.6 kg
Packaged Weight	0.6 kg

Product Details

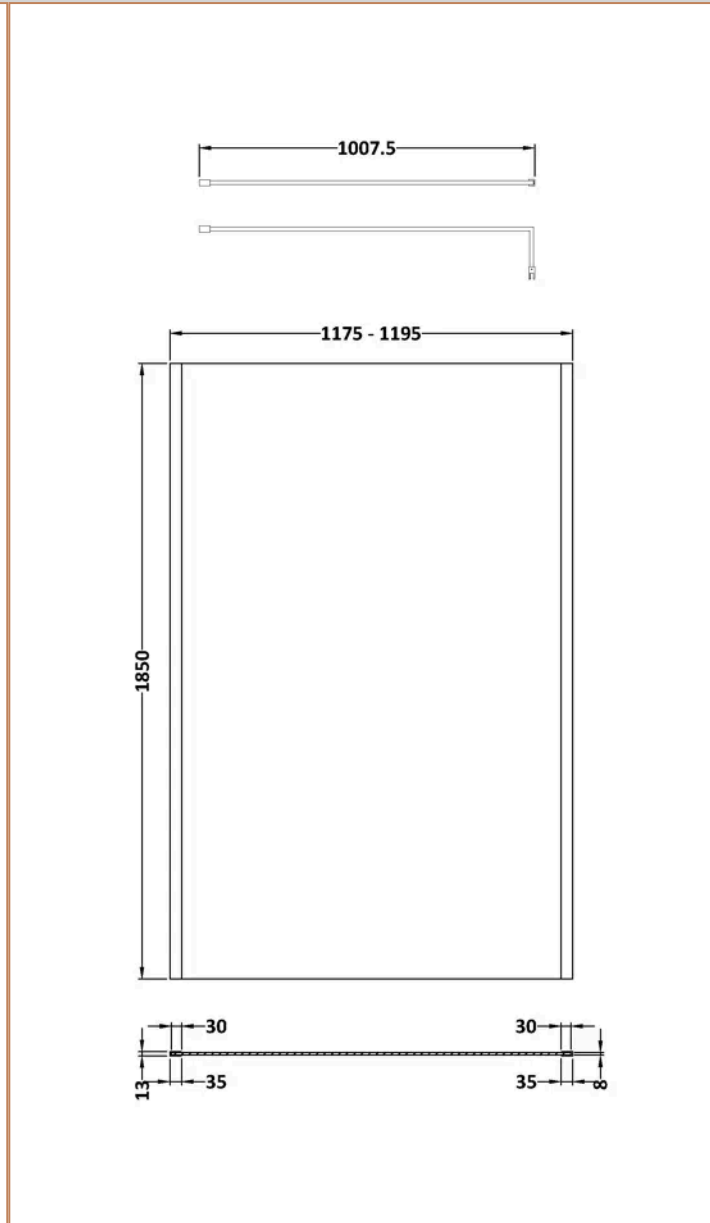
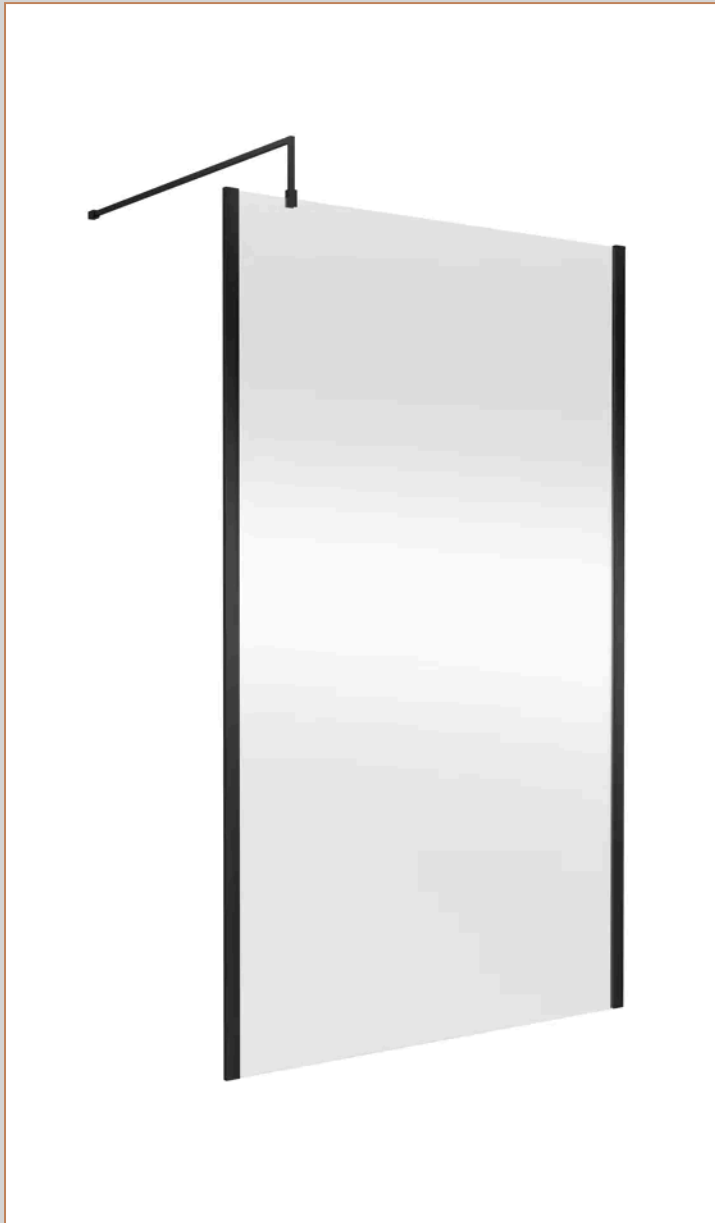
Product Material	Aluminium
------------------	-----------

Sales Code: WRSCOBP12

Barcode: 5056462645193

Brand: nuie

Description: nuie 1200mm Matt Black Wetroom Screen With Support Bar



Product Dimensions

Product	1850 x 1200 x 14mm (H x W x D)
Packaged	1920 x 1250 x 60mm (H x W x D)
Nett Weight	50.5 kg
Packaged Weight	50.5 kg

Product Details

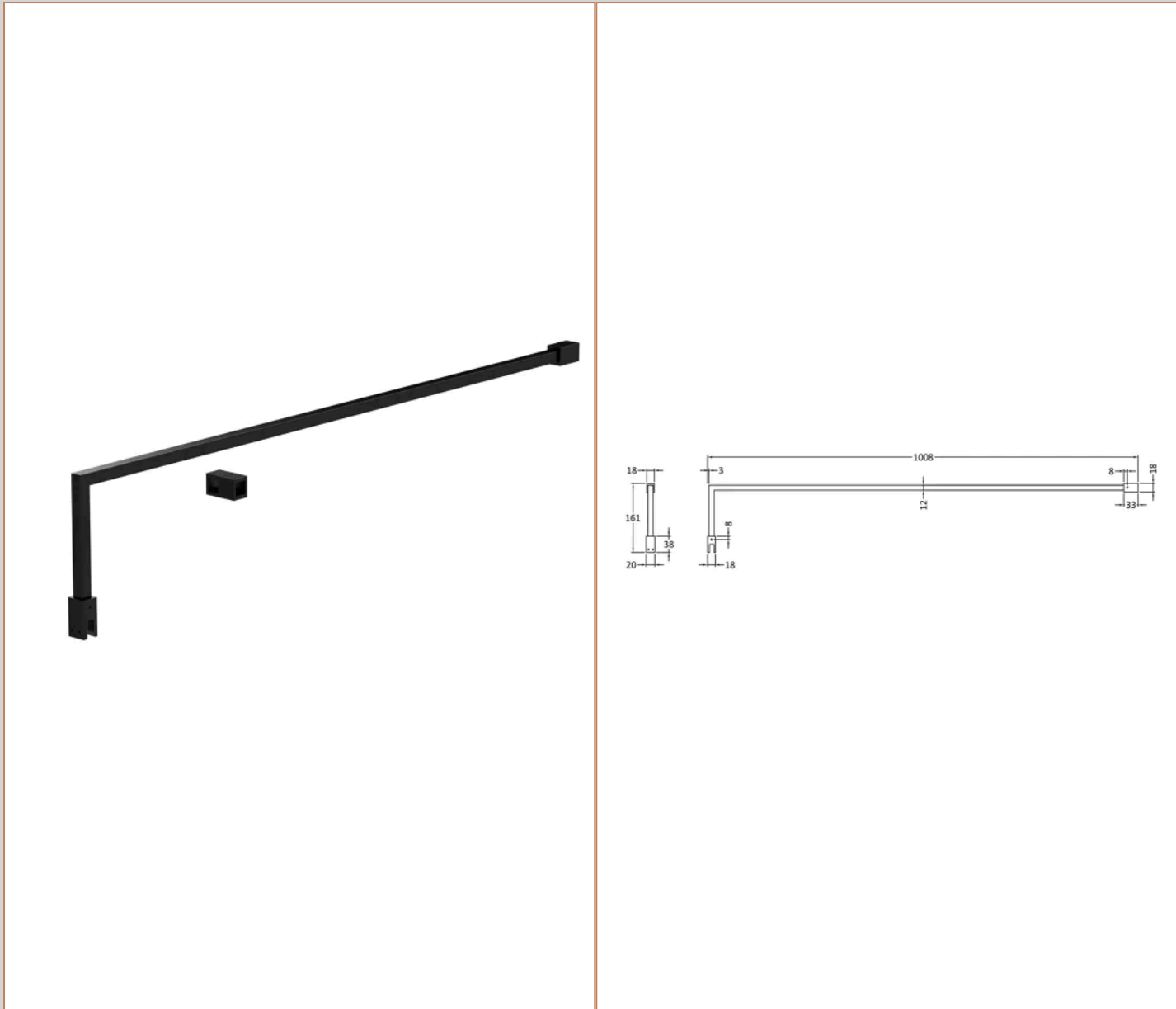
Country of Origin	China
Product Material	Aluminium
Colour/Finish	Matt Black
Style	Contemporary
Easy Clean	No
Adjustment Max	1200
Adjustment Min	1180
Ce Certified	Yes
Declaration Of Performance	Yes
Easy Fit	No
Enclosure Design	Semi-Frameless
Frame Finish	Matt Black
Glass Thickness	8 mm
Handles Included	No
Ukca Certified	Yes

Sales Code: FIX024

Barcode: 5056211847342

Brand: Hudson Reed

Description: Matt Black Wetroom Screen Support Arm



Product Dimensions

Product	15 x 150 x 1000mm (H x W x D)
Packaged	35 x 160 x 1020mm (H x W x D)
Nett Weight	0.67 kg
Packaged Weight	0.7 kg

Product Details

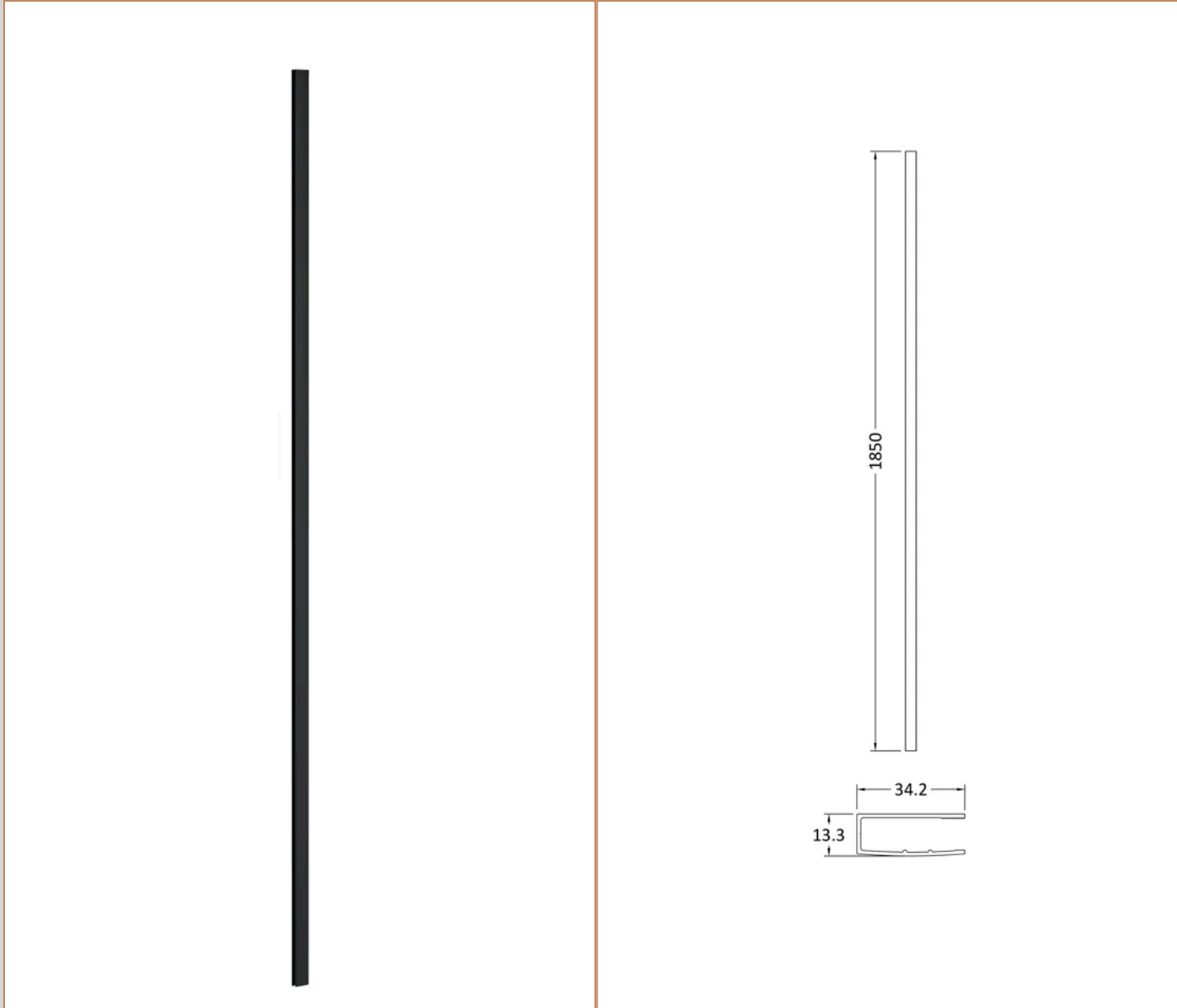
Country of Origin	China
Product Material	Stainless Steel
Colour/Finish	Matt Black
Style	Contemporary

Sales Code: WRSF009

Barcode: 5056211897224

Brand: nuie

Description: Matt Black 1850mm Wetroom Wall Channel



Product Dimensions

Product	60 x 185 x 1860mm (H x W x D)
Packaged	400 x 50 x 1860mm (H x W x D)
Nett Weight	0.6 kg
Packaged Weight	0.6 kg

Product Details

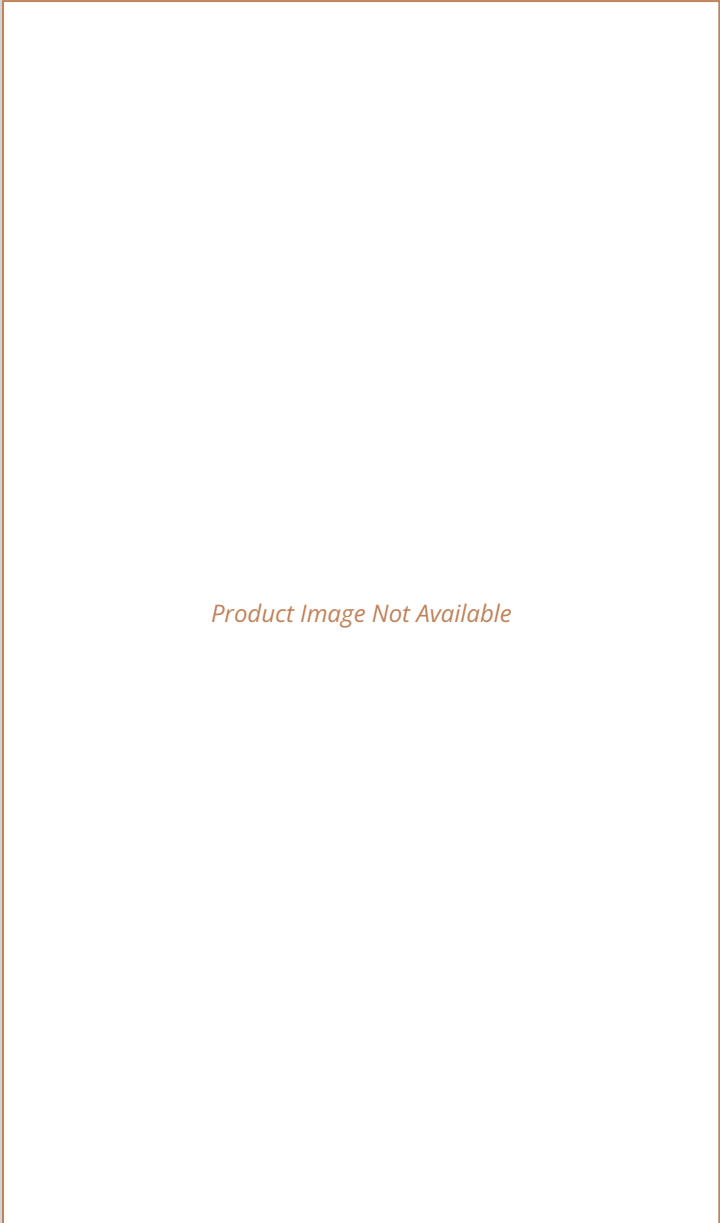
Product Material	Aluminium
------------------	-----------

Sales Code: WRSF009U

Barcode: 5056462644875

Brand: nuie

Description: 1850 Decorative Profile Undrilled Black



Product Dimensions

Product	60 x 185 x 1860mm (H x W x D)
Packaged	400 x 50 x 1860mm (H x W x D)
Nett Weight	0.6 kg
Packaged Weight	0.6 kg

Product Details

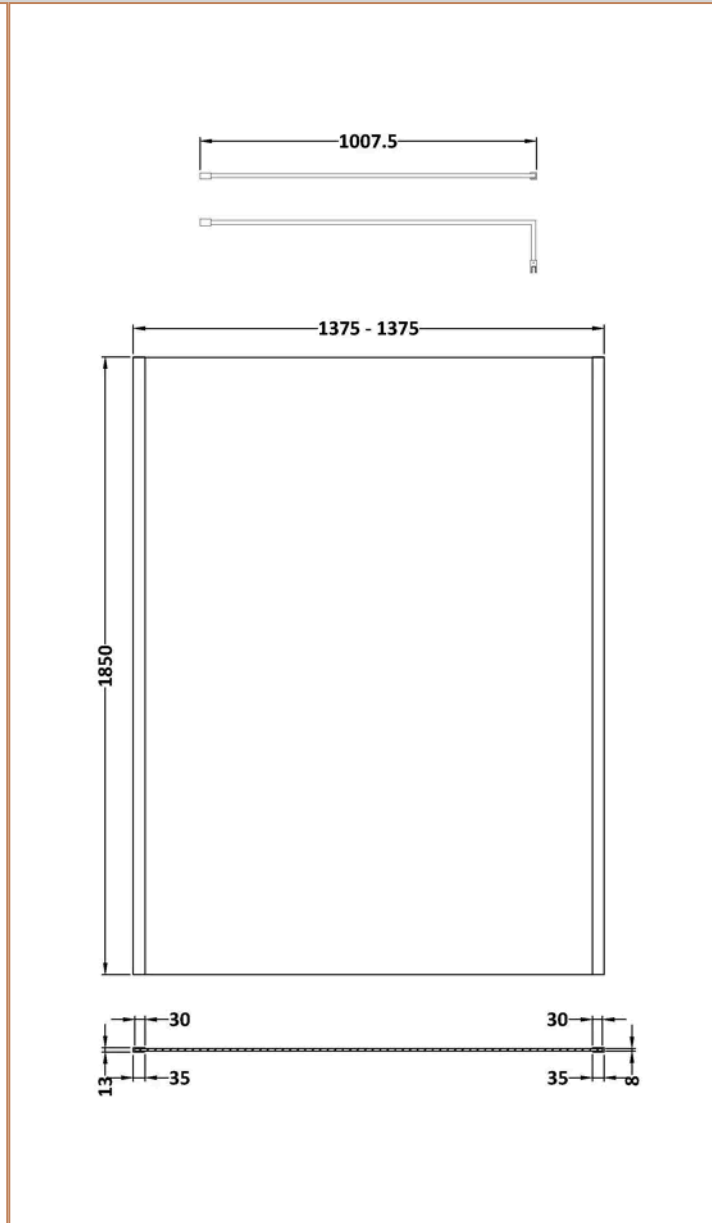
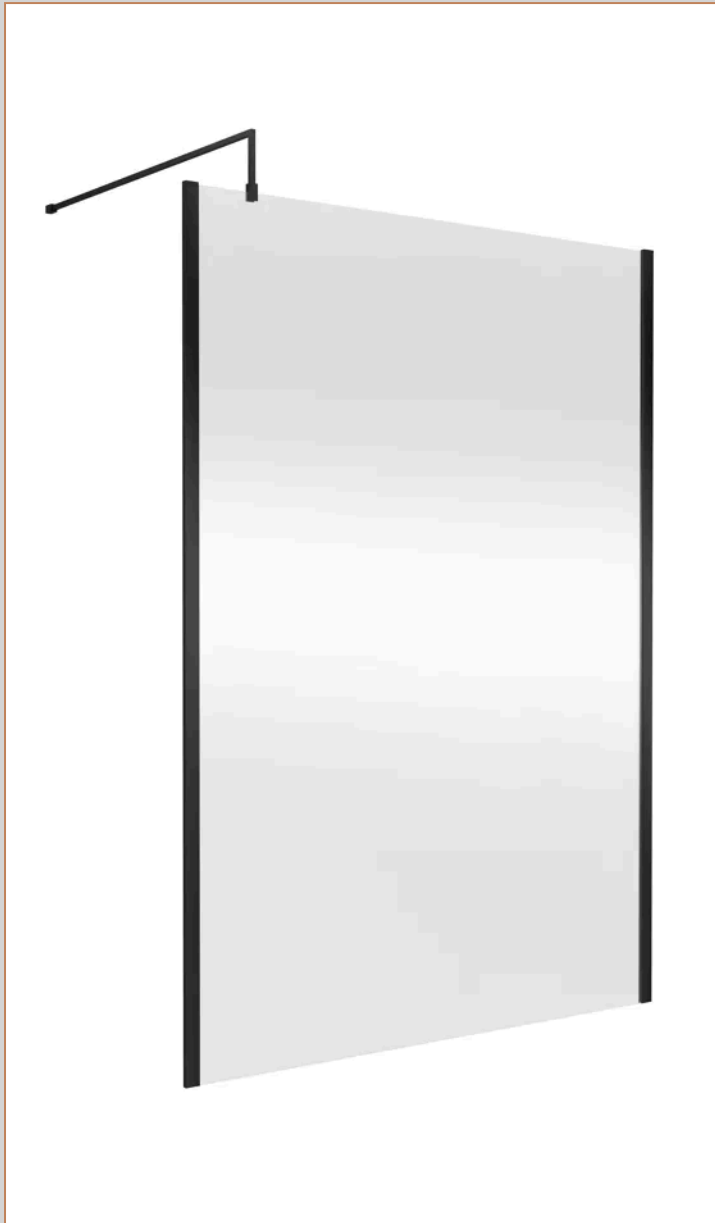
Product Material	Aluminium
------------------	-----------

Sales Code: WRSCOBP14

Barcode: 5056462645209

Brand: nuie

Description: nuie 1400mm Matt Black Wetroom Screen With Support Bar



Product Dimensions

Product	1850 x 1400 x 14mm (H x W x D)
Packaged	1920 x 1450 x 60mm (H x W x D)
Nett Weight	59.5 kg
Packaged Weight	59.5 kg

Product Details

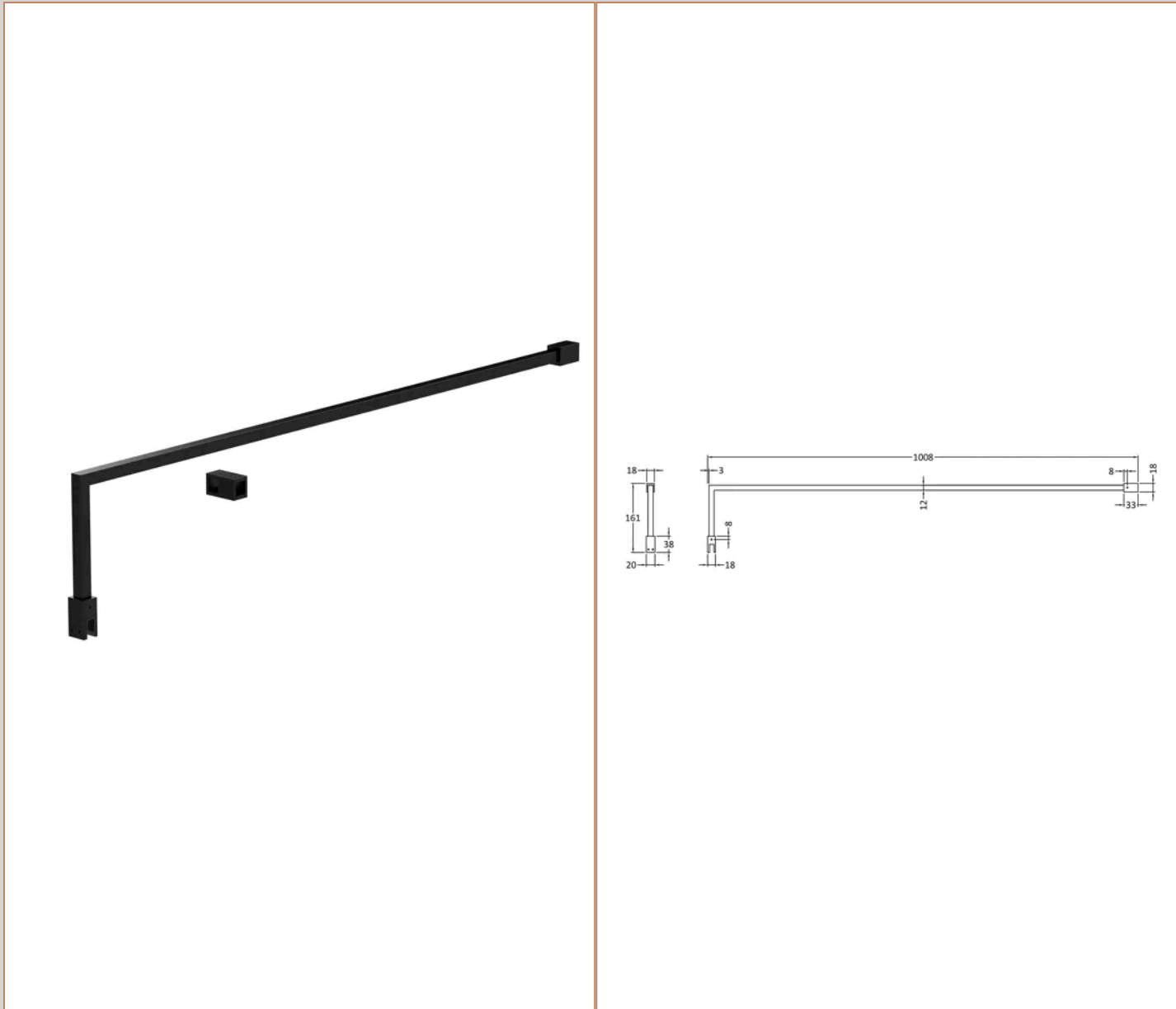
Country of Origin	China
Product Material	Aluminium
Colour/Finish	Matt Black
Style	Contemporary
Easy Clean	No
Adjustment Max	1400
Adjustment Min	1380
Ce Certified	Yes
Declaration Of Performance	Yes
Easy Fit	No
Enclosure Design	Semi-Frameless
Frame Finish	Matt Black
Glass Thickness	8 mm
Handles Included	No
Ukca Certified	Yes

Sales Code: FIX024

Barcode: 5056211847342

Brand: Hudson Reed

Description: Matt Black Wetroom Screen Support Arm



Product Dimensions

Product	15 x 150 x 1000mm (H x W x D)
Packaged	35 x 160 x 1020mm (H x W x D)
Nett Weight	0.67 kg
Packaged Weight	0.7 kg

Product Details

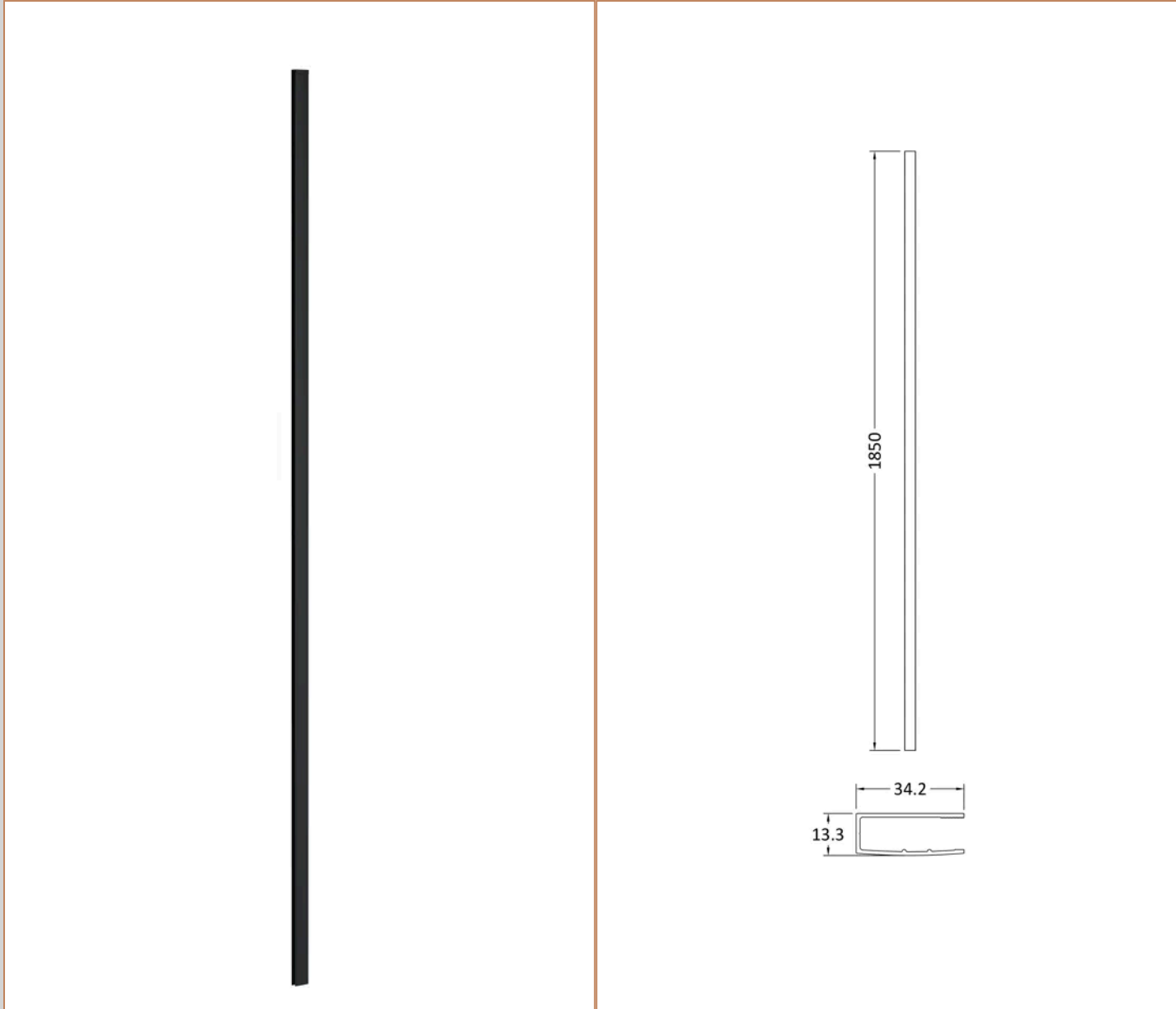
Country of Origin	China
Product Material	Stainless Steel
Colour/Finish	Matt Black
Style	Contemporary

Sales Code: WRSF009

Barcode: 5056211897224

Brand: nuie

Description: Matt Black 1850mm Wetroom Wall Channel



Product Dimensions

Product	60 x 185 x 1860mm (H x W x D)
Packaged	400 x 50 x 1860mm (H x W x D)
Nett Weight	0.6 kg
Packaged Weight	0.6 kg

Product Details

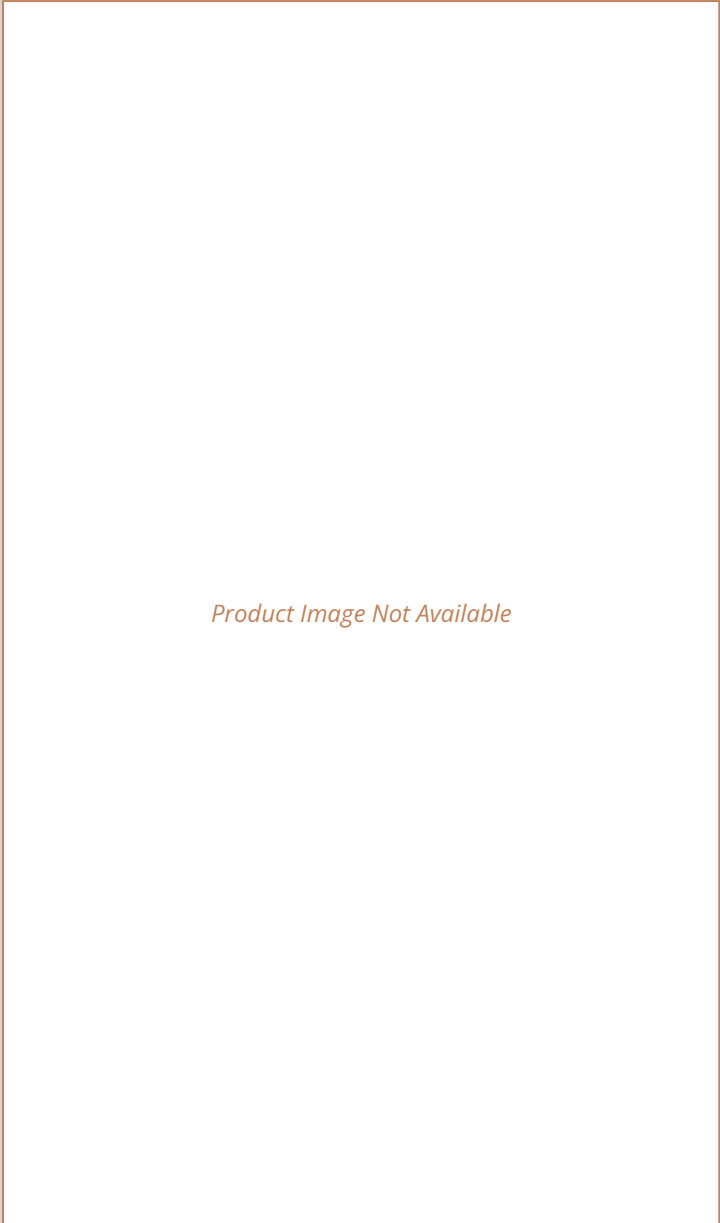
Product Material	Aluminium
------------------	-----------

Sales Code: WRSF009U

Barcode: 5056462644875

Brand: nuie

Description: 1850 Decorative Profile Undrilled Black



Product Dimensions

Product	60 x 185 x 1860mm (H x W x D)
Packaged	400 x 50 x 1860mm (H x W x D)
Nett Weight	0.6 kg
Packaged Weight	0.6 kg

Product Details

Product Material	Aluminium
------------------	-----------