

Warranty Information

Proof of purchase will be required.

The guarantee does not cover faults or damage caused by incorrect installation and/or maintenance, ordinary wear and tear, water composition, etc.

*Please see www.deva-uk.com for full terms and conditions of warranty

Cleaning

Your product has a high-quality finish and should be treated with care to preserve the visible surfaces. Never use abrasives or abrasive cleaning agents to clean this product clean regularly with contamination free warm water and a damp soft cloth. Do not use products containing chlorine bleach or hydrochloric acid as these can damage the product.

We have a policy of continuous improvement and reserve the right to change specifications without notice.

METHVEN UK LIMITED
METHVEN EXPERIENCE CENTRE
3/3A STONE CROSS COURT
YEW TREE WAY
GOLBORNE
WARRINGTON
WA3 3JD
UNITED KINGDOM

INST-CR23,
CR23/501
04/09/2025

TEL: 0800 195 1602
FAX: 0844 406 8690
EMAIL: sales@uk.methven.com
www.deva-uk.com
www.methven.com

Coronation Bath Shower Mixer

CR23, CR23/501

Chrome, Gold

Installation Guide

Technical Specification

Working Pressure:

Min: 0.1 Bar

Max: 5.0 Bar

Operating Temperature:

Hot: 60°C

Cold: 5°C

Inlet Connections:

3/4" BSP

Features:

- Suitable For High & Low Pressure Systems
- H & C Temperature Indicator
- Single Flow Bath Shower Mixer
- Handset bracket can be mounted facing left or right
- Comes Complete With Single Mode Handset, 1.5m Metal Interlocked Shower Hose and optional wall mounting handset cradle
- Brass Backnuts
- Gold version has 5yr warranty on outer finish



Congratulations on your purchase of your new Deva by Methven Bath Shower Mixer. Our fitting instructions have been created with you in mind to provide you with all the information you require and, if you need any further help, please don't hesitate to contact our customer care team on 0800 195 1602.

Please keep these instructions for future reference and request of replacement parts

Contents

General Safety Information	3
Line Drawing	3
Product Breakdown	4
Product Breakdown	4
Installation Requirements	6
Installation	6
Troubleshooting	7
Warranty Information	8
Cleaning	8

Troubleshooting

Symptom	Cause(s)	Resolution
Mixer not turning on	Mains water supply turned off	Turn on the mains water supply
	Closed isolation valve	Open isolation valve
No hot water	Cold override	Check if the pressure is balanced. Fit pressure equalising valve.
Low flow rate/no flow	Water supply failure	Investigate water supply, check plumbing and heating system for any faults
	Partially closed isolation valve	Open isolation valve
	Air lock or partial blockage in the supply pipework or hoses	Flush through pipework to ensure removal of debris and any airlocks
Water dripping from the mixer	Water being drawn off elsewhere causing pressure changes or instantaneous boiler temperature changes. Ensure minimum pressure is being met.	Try not to use other water outlets when using the mixer
	This is normal for a short time after using the mixer	This is due to residual water tension, the build up of water in the mixer spout.
Movement of fitted mixer	If water continues to drip, possible issue with the flow control cartridge.	Please contact our customer care team
	Back nuts loose	Ensure Back nuts are sufficiently tightened
	Extra support may be required depending on the surface the tap is fitted to.	Please contact customer care to purchase top hat washers.

Installation Requirements

Before commencing installation of the new product, ensure that the system has been flushed to remove any debris, which could cause damage to the valves and invalidate the warranty.

Installation

- 1, Attach the left and right pillars onto the main body of the mixer.
- 2, Remove the metal backnuts and backnut washers from the threaded connection.
- 3, Place the threaded connection through the holes in the bath and position ensuring that the pillars are correctly positioned, fully covering the mounting holes.
- 4, Place backnut washer onto threaded connection between bath unit and backnut , under the bath, and screw up until the tap is secured in position (do not overtighten). Please note additional sealant can be used if required.
- 5, Connect the water supply pipes to the threaded connection and tighten, an adequate sealing method should be used to create a watertight seal.
- 6, Attach the handset cradle onto the main body and tighten the nut to secure. The cradle can be fitted left or right hand facing to suit your bathroom.
- 7, Carefully attached each end of the shower hose, connecting one end to the handset and the other end to the hose outlet on the mixer. Take care to keep the washers inside the hose ends.
- 6, Place the handset into the handset cradle. The handset has a protective ring around the edges to prevent damage to the bath if dropped.

NOTE: The box also includes an optional wall mounted handset bracket, which can be fitted with the screw and wall plug enclosed if desired.

NOTE: When in the vertical position, the central diverter lever allows water to flow from the bath filler spout. Adjust the diverter handle position to divert the water flow to the shower handset.

- 7, Reinstate the water supply and test for leaks.

General Safety Information

Please read all of the instructions before installation.

Methven recommends this product is installed by a competent person in compliance with all relevant regional regulations.

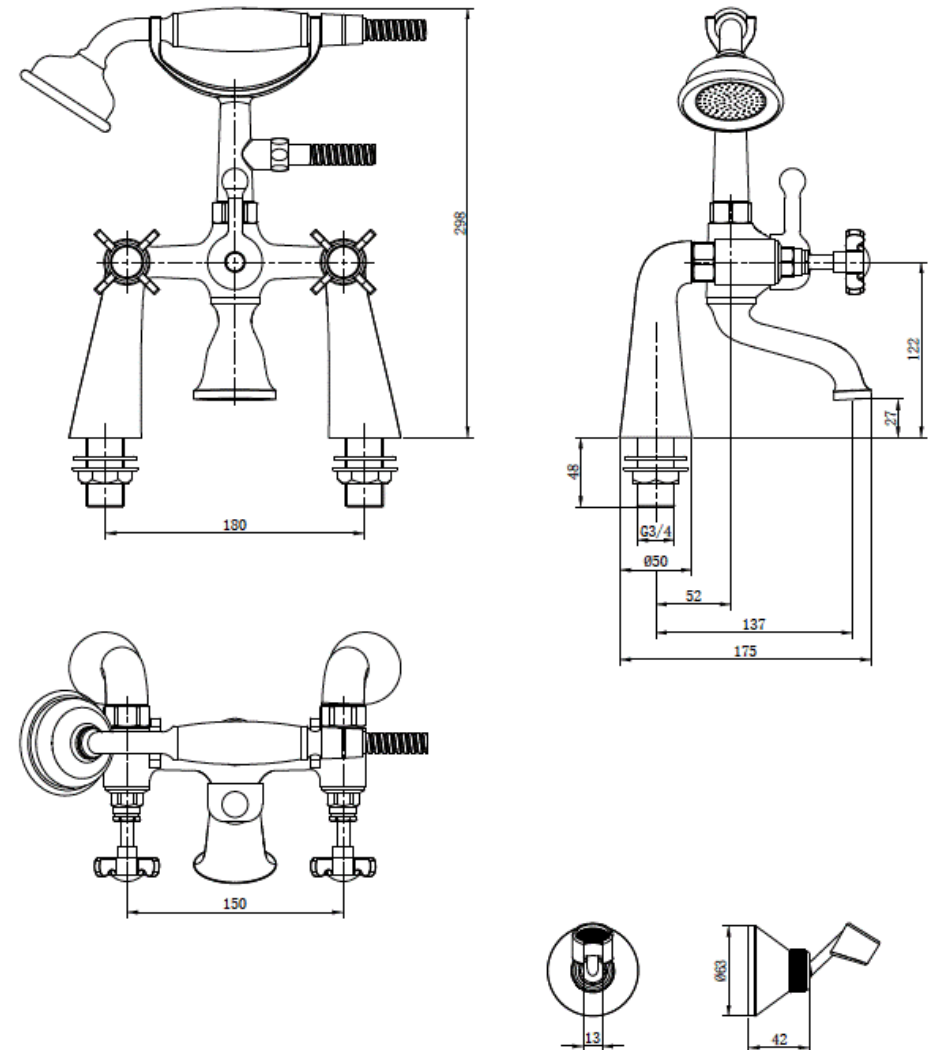
Remove all packaging and check the components for damage before starting installation.

This product **must** not be modified in any way as this will invalidate the guarantee.

It is the responsibility of the installer to ensure a waterproof seal is achieved, after installation all connections must be checked for leaks.

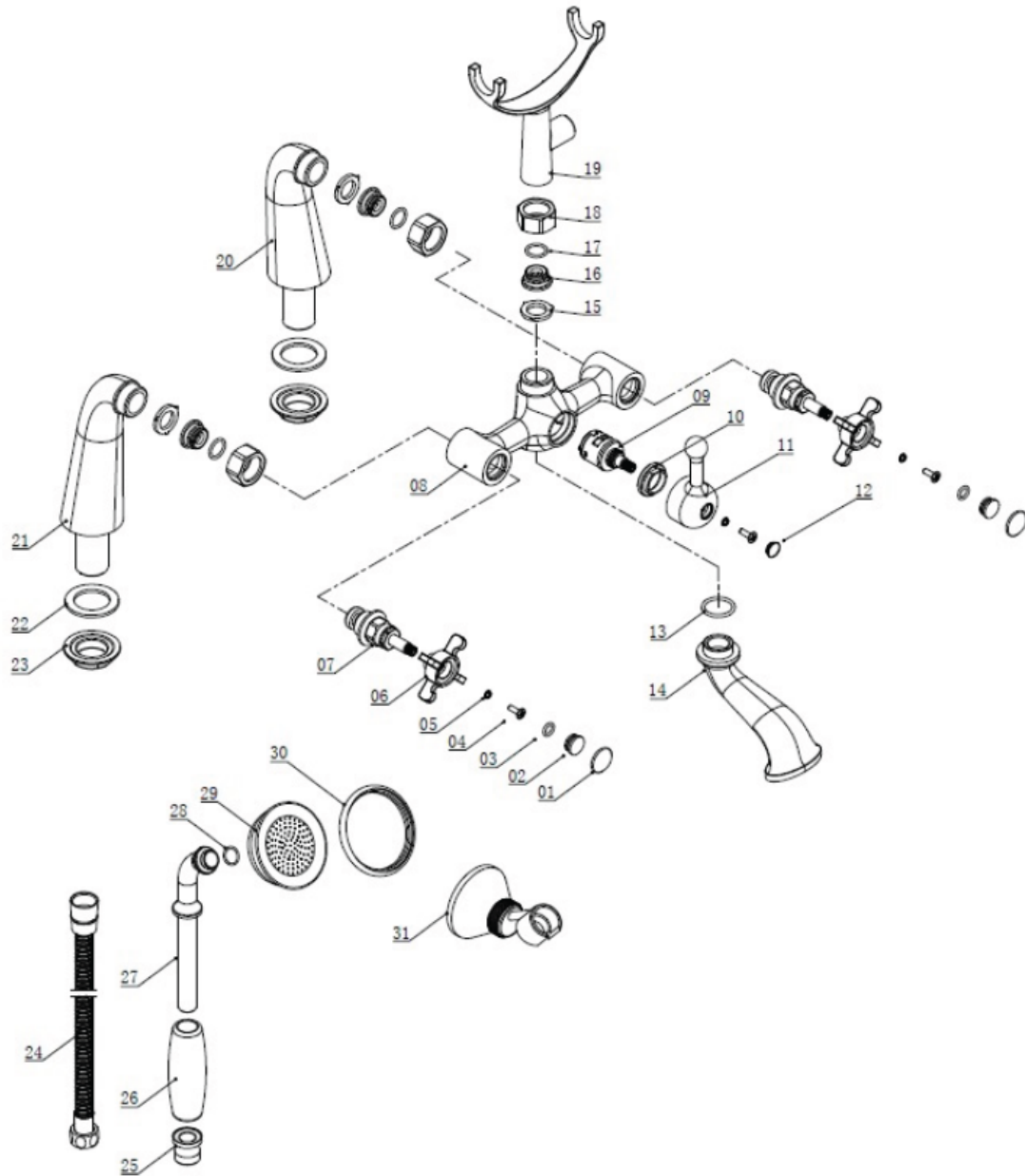
All outlets used primarily for personal hygiene shall deliver water at a safe temperature as per regional regulations.

Line Drawing



Product Breakdown

Check All components are present prior to starting installation.



- 1 Hot & Cold Indicators
- 2 Cover
- 3 O-Ring
- 4 Screw
- 5 Spring
- 6 Handle
- 7 Non-rising Spindle Headwork
- 8 Bath Shower Mixer Body
- 9 Diverter Cartridge
- 10 Diverter Locking Nut
- 11 Diverter Handle
- 12 Cover
- 13 O-Ring
- 14 Spout
- 15 Washer
- 16 Connector
- 17 O-Ring
- 18 Hexagonal Nut
- 19 Handset Cradle
- 20 Right Pillar
- 21 Left Pillar
- 22 Backnut Washer
- 23 Backnut Washer
- 24 1.5m Shower Hose
- 25 Hose Connection Joint
- 26 Handset Handle
- 27 Handset Inlet
- 28 O-Ring
- 29 Handset Faceplate
- 30 Handset Faceplate Ring
- 31 Wall Bracket