

**Sales Code:** NBH207L

**Barcode:** 5056817766955

**Brand:** nuie

**Description:** nuie Crescent 1600mm Left-Hand Curved Corner Bath With Legs



### Product Dimensions

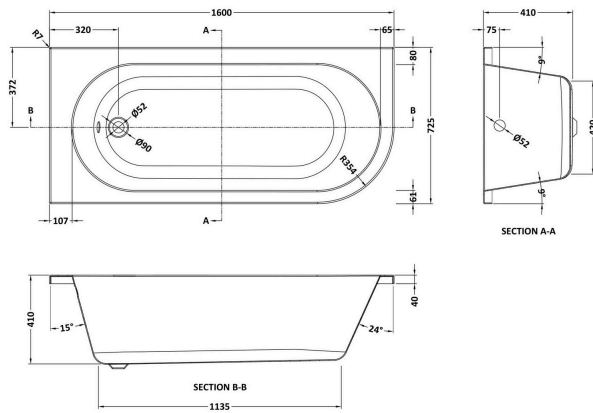
Product	410 x 725 x 1600mm (H x W x L)
Packaged	400 x 725 x 1600mm (H x W x D)
Nett Weight	26 kg
Packaged Weight	26 kg

### Packaging Details

Label Size (mm)	40 x 80
Label Colour	White
Label Qty	2.0000

### Product Details

Volume	195 Litre
Country of Origin	Egypt
Product Material	Acrylic
Colour/Finish	White
Style	Contemporary
Fixings Included	No
Bath Panel Included	No
Ce Certified	Yes
Displaced Capacity	120 Litre
Includes Grips	No
Leg Set Included	Yes
Legs Included	Yes
No. Of Tapholes	No Tapholes
Overflow Included	Yes
Tap Included	No
Waste Included	No
Waste Size Required	90mm

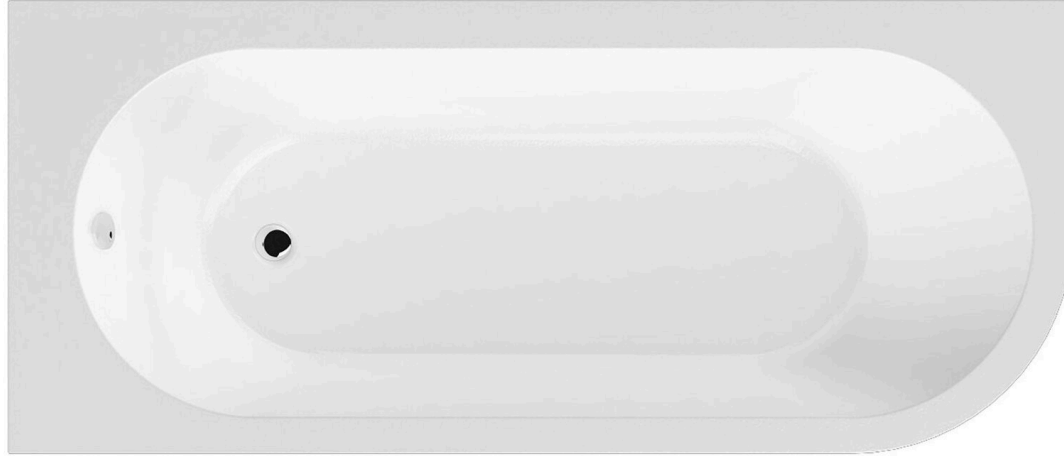


**Sales Code:** NBH209L

**Barcode:** 5055275894538

**Brand:** nuie

**Description:** nuie Crescent 1700mm Left-Hand Curved Corner Bath With Legs



### Product Dimensions

Product	410 x 725 x 1700mm (H x W x L)
Packaged	400 x 725 x 1700mm (H x W x D)
Nett Weight	28 kg
Packaged Weight	28 kg

### Packaging Details

Label Size (mm)	40 x 80
Label Colour	White
Label Qty	2.0000

### Product Details

Volume	195 Litre
Country of Origin	Egypt
Product Material	Acrylic
Colour/Finish	White
Style	Contemporary
Fixings Included	No
Bath Panel Included	No
Ce Certified	Yes
Declaration Of Performance	Yes
Displaced Capacity	120 Litre
Includes Grips	No
Leg Set Included	Yes
Legs Included	Yes
No. Of Tapholes	No Tapholes
Overflow Included	Yes
Tap Included	No
Ukca Certified	Yes
Waste Included	No
Waste Size Required	90mm

