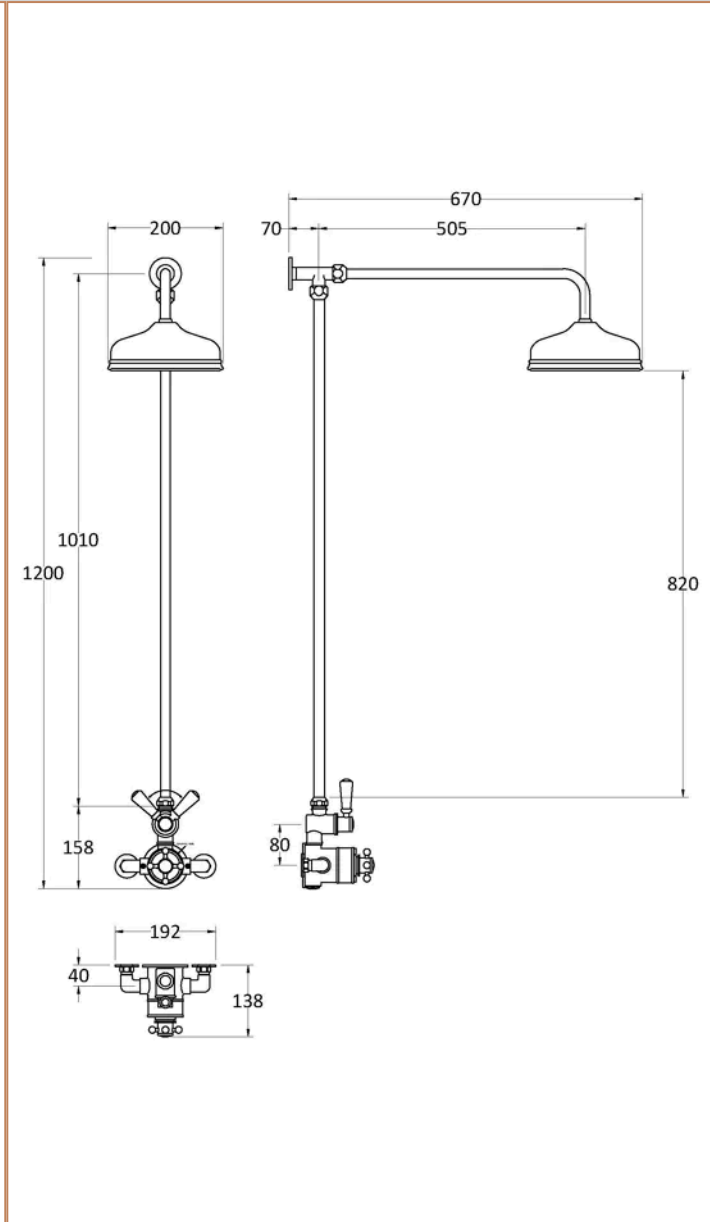
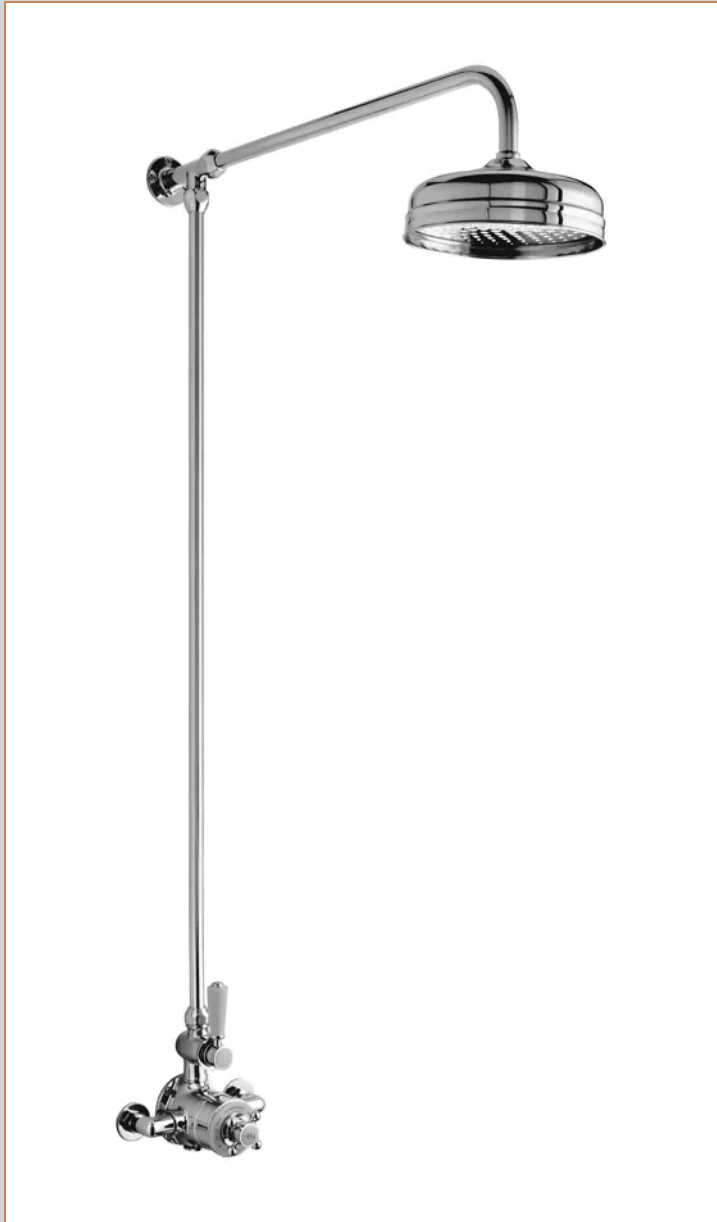


Sales Code:
A3120

Barcode: 5056883704028

Brand: Hudson
Reed

Description: Hudson Reed Exposed Chrome Traditional Thermostatic Shower Kit With Fixed Head



Product Dimensions

Packaged	1082 x 130 x 75mm (H x W x D)
Nett Weight	6 kg
Packaged Weight	6 kg

Product Details

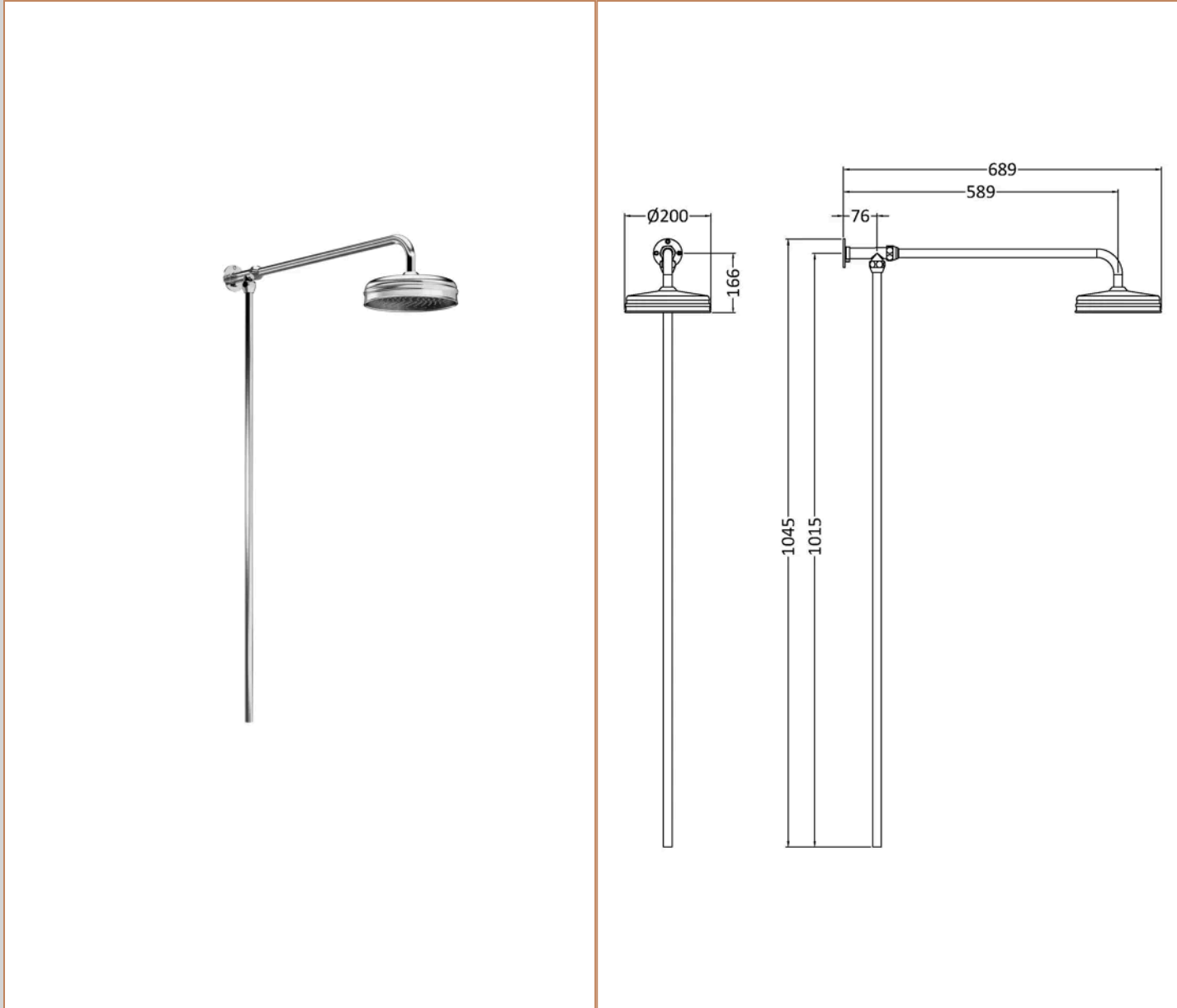
Country of Origin	China
Product Material	Brass
Control Type	Manual
Colour/Finish	Chrome
Mount Type	Wall Hung
Style	Traditional
Handset Included	No
Head Included	Yes
Hose Included	Yes
Min Operating Pressure	0.5 Bar
Minimum Operation Pressure	1 Bar

Sales Code: AM310

Barcode: 5056883706183

Brand: Hudson Reed

Description: Hudson Reed Chrome Rigid Riser Shower Kit



Product Dimensions

Product	1045 x 200 x 689mm (H x W x D)
Packaged	110 x 240 x 1100mm (H x W x D)
Nett Weight	5 kg
Packaged Weight	5 kg

Packaging Details

Label Size (mm)	50 x 100
Label Colour	White
Label Qty	2.0000

Product Details

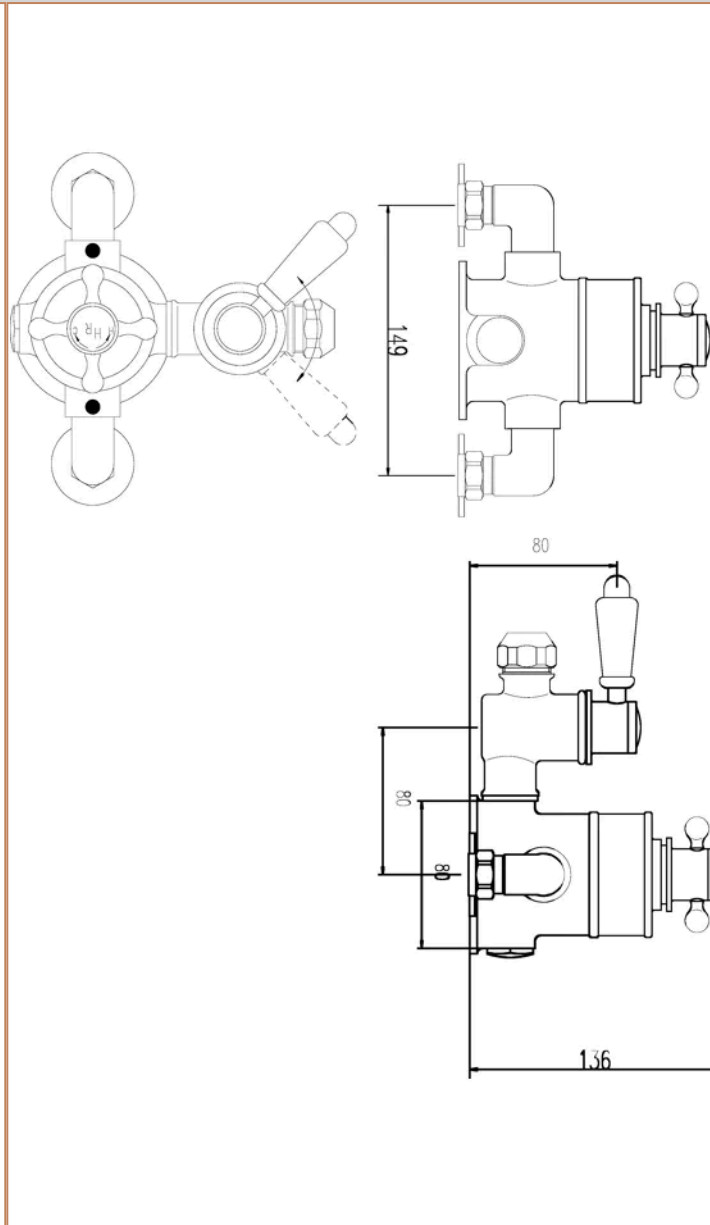
Country of Origin	China
Product Material	Brass
Control Type	Not Applicable
WRAS Approved	No
Colour/Finish	Chrome
Mount Type	Surface/Wall
TMV2 Approved	No
TMV3 Approved	No
Pipe Size	18 mm
Min Operating Pressure	0.5 Bar
Minimum Operation Pressure	1 Bar
No. Outlets	1.0000
Outlet Elbow Supplied	No

Sales Code: TSVT101

Barcode: 5055275831588

Brand: Hudson Reed

Description: Hudson Reed Topaz Chrome Twin Thermostatic Shower Valve



Product Dimensions

Product	206 x 195 x 135mm (H x W x D)
Packaged	170 x 215 x 245mm (H x W x D)
Outer Box	480 x 440 x 520mm (H x W x D)
Nett Weight	2.5 kg
Packaged Weight	3 kg

Packaging Details

Label Size (mm)	50 x 100
Label Colour	White
Label Qty	1.0000

Product Details

Country of Origin	United Kingdom
Product Material	Brass
Control Type	Manual
WRAS Approved	No
Valve/Cartridge Type	1/4 Turn
Colour/Finish	Chrome
Mount Type	Wall Hung
Style	Traditional
Handle Type	Crosshead/Lever
TMV2 Approved	No
TMV3 Approved	No
Pipe Centres	150
Handset Included	No
Head Included	No
Min Operating Pressure	0.1 Bar
Minimum Operation Pressure	0 Bar
No. Outlets	1.0000
Valve / Cartridge Type	1/4 Turn