



# Georgian

Georgian Bridge Sink Mixer

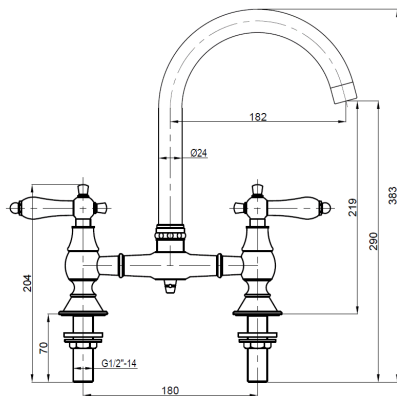
Product Code: GBM305

Finish: Chrome & White

## Features

- Construction:** Brass
- Valve/Cartridge type:** ¼ Turn Ceramic Disc
- Supply:** Suitable For Low Pressure Systems
- Working Pressures:** 0.1 - 5.0 bar
- Inlet connections:** ½" BSP
- Flexi or Copper:** N/A

- Durable Brass Construction With A Chrome Finish
- Separate Hot And Cold Controls
- ¾" Quarter Turn Ceramic Disc
- Swivel Spout
- Tap Height: 383mm



\*Please refer to website for full warranty details.

## Flow (Bar - l/min, open outlet)

### Spout

Flow 0.1	Flow 0.3	Flow 0.5	Flow 1.0	Flow 2.0	Flow 3.0	Flow 4.0	Flow 5.0
8	13.5	18.5	2.7	39.4	48.7	56.6	63.5



2210349

