

Warranty Information

Proof of purchase will be required.

The guarantee does not cover faults or damage caused by incorrect installation and/or maintenance, ordinary wear and tear, water composition, etc.

*Please see www.deva-uk.com for full terms and conditions of warranty

Cleaning

Your product has a high-quality finish and should be treated with care to preserve the visible surfaces. Never use abrasives or abrasive cleaning agents to clean this product clean regularly with contamination free warm water and a damp soft cloth. Do not use products containing chlorine bleach or hydrochloric acid as these can damage the product.

We have a policy of continuous improvement and reserve the right to change specifications without notice.

METHVEN UK LIMITED
METHVEN EXPERIENCE CENTRE
3/3A STONE CROSS COURT
YEW TREE WAY
GOLBORNE
WARRINGTON
WA3 3JD
UNITED KINGDOM

INST-VL120
V2 27.03.2024

TEL: 0800 195 1602
FAX: 0844 406 8690
EMAIL: sales@uk.methven.com
www.deva-uk.com
www.methven.com

Vitality Lever Basin Mixer

Chrome

VL120

Installation Guide

Technical Specification

Working Pressure:

Min: 0.1 Bar

Max: 5.0 Bar

Operating Temperature:

Hot: 65°C

Cold: 5°C

Inlet Connections:

½" BSP

Features:

- Suitable For High & Low Pressure Systems
- 40mm Ceramic Cartridge
- Red & Blue Temperature Indicators
- Single Flow Outlet With Pre-Fitted Flow Straightener
- Tap Height 113mm,
- Spout Height 47.5mm
- Spout Reach 106.5mm
- Fixing Kit(Metal Horseshoe Fixing Plate, Rubber Horseshoe Fixing Washer, Metal Bar and Locking Nut)
- Supplied With 2 X 400mm Flexi Tails
- Includes press top waste



Congratulations on your purchase of your new Deva by Methven Basin Mixer. Our fitting instructions have been created with you in mind to provide you with all the information you require and, if you need any further help, please don't hesitate to contact our customer care team on 0800 195 1602.

Please keep these instructions for future reference and request of replacement parts

Contents

General Safety Information	3
Line Drawing	3
Product Breakdown	4
Product Breakdown	4
Installation Requirements	5
Installation	5
Troubleshooting	7
Warranty Information	8
Cleaning	8

Troubleshooting

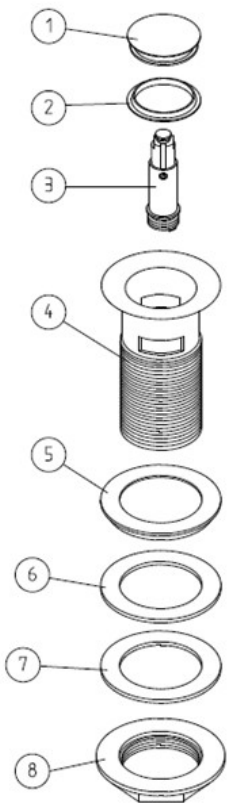
Symptom	Cause(s)	Resolution
Mixer not turning on	Mains Water supply turned off	Turn on the mains water supply
	Closed isolation valve	Open isolation valve
No hot water	Cold override	Check if the pressure is balanced. Fit pressure equalising valve.
Low Flow Rate/No Flow	Water supply failure	Investigate water supply, check plumbing and heating system for any faults
	Partially closed isolation valve	Open isolation valve
	Air lock or partial blockage in the supply pipework or hoses	Flush through pipework to ensure removal of debris and any airlocks.
Water dripping from the mixer	Water being drawn off elsewhere causing pressure changes or instantaneous boiler temperature changes. Ensure minimum pressure is being met.	Try not to use other water outlets when using the mixer
	This is normal for a short time after using the mixer	This is due to residual water tension, the build up of water in the mixer spout.
Movement of fitted mixer	If water continues to drip, possible issue with the flow control cartridge.	Please contact our customer care team.
	Fixing kit loose	Ensure fixing kit nut is sufficiently tightened.
	Extra support may be required depending on the surface the tap is fitted to.	Please contact customer care to purchase a under sink mounting triangle

Installation of the Waste

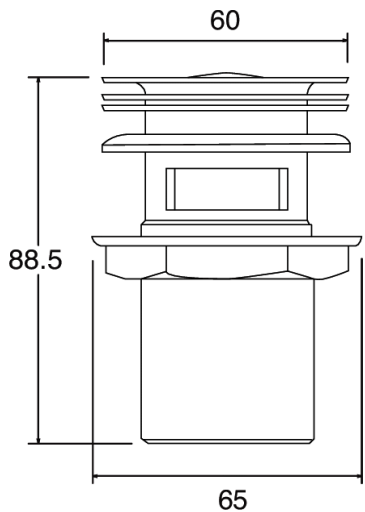
Sealant can be used on all joints to aide in sealing.

1. Slide the washer (5) up to the underside of the waste flange.
2. Place the waste into the basin.
3. From the underside, fit the rubber washer (6) over the waste tail.
4. Finally connect the backnut washer (7) and the backnut (8) to waste tail and tighten until secure.
5. Secure the waste tail to the waste trap (not supplied). Sealant may be required.
To close the waste and fill the basin, simply press down on the waste cover until it clicks to close. Press again to release and raise the cover to drain.

Exploded Diagram



Line Drawing (mm)



1	Cover
2	Washer
3	Click Mechanism
4	Body
5	Washer
6	Washer
7	Washer
8	Backnut

General Safety Information

Please read all of the instructions before installation.

Methven recommends this product is installed by a competent person in compliance with all relevant regional regulations.

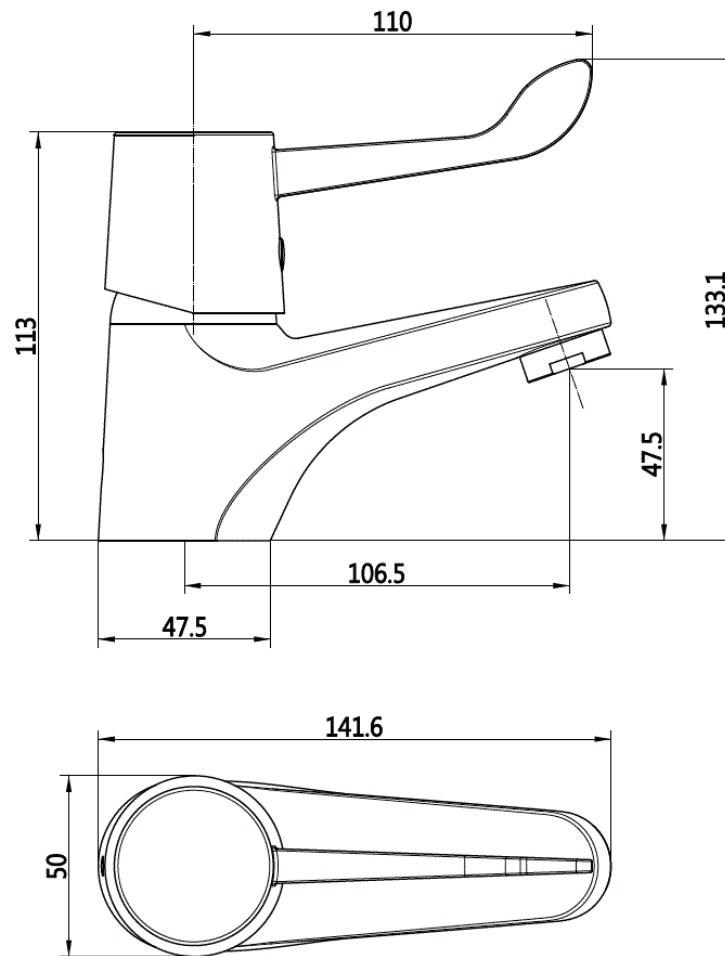
Remove all packaging and check the components for damage before starting installation.

This product **must** not be modified in any way as this will invalidate the guarantee.

It is the responsibility of the installer to ensure a waterproof seal is achieved, after installation all connections must be checked for leaks.

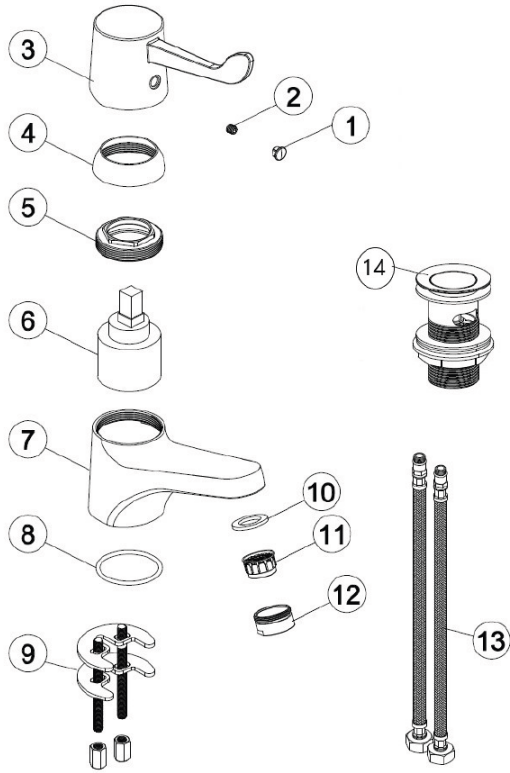
All outlets used primarily for personal hygiene shall deliver water at a safe temperature as per regional regulations.

Line Drawing (mm)



Product Breakdown

Check all components are present prior to starting installation.



- 1 Grub Screw Cap
- 2 Grub Screw
- 3 Handle
- 4 Cartridge Cover
- 5 Cartridge Locking Nut
- 6 40mm Ceramic Cartridge
- 7 Basin Mixer Body
- 8 O-Ring
- 9 Fixing Kit
- 10 Washer
- 11 Aerator
- 12 Aerator Housing
- 13 Flexi Tails
- 14 Press Top Basin Waste

Installation Requirements

Before commencing installation of the new product, ensure that the system has been flushed to remove any debris, which could cause damage to the valves and invalidate the warranty.

Basin Mixer Installation

- 1, Fit the O-ring (8) into the recess in the bottom of the mixer tap.
- 2, Insert the fixing kit (9) threaded bar into the bottom of the tap, with the slot facing out and using a flat bladed screwdriver tighten these up.
- 3, Screw the flexi tails (13) into the bottom of the tap, by hand, until tight. Do not use PTFE tape, or similar, on the threads.
- 4, Feed the tails (13) and threaded bar into the hole in the basin, ensuring that O-Ring (8) is seated correctly and fully covering the hole.
- 5, From the underside of the basin feed the rubber horseshoe washer over the threaded bar followed by the metal horseshoe washer. Place the fixing kit nuts over the threaded bar and tighten until the tap is fixed on the basin. Do not overtighten.
- 6, Connect the hot and cold feeds to the water supply.
- 7, Reinststate the water supply and test for leaks.

