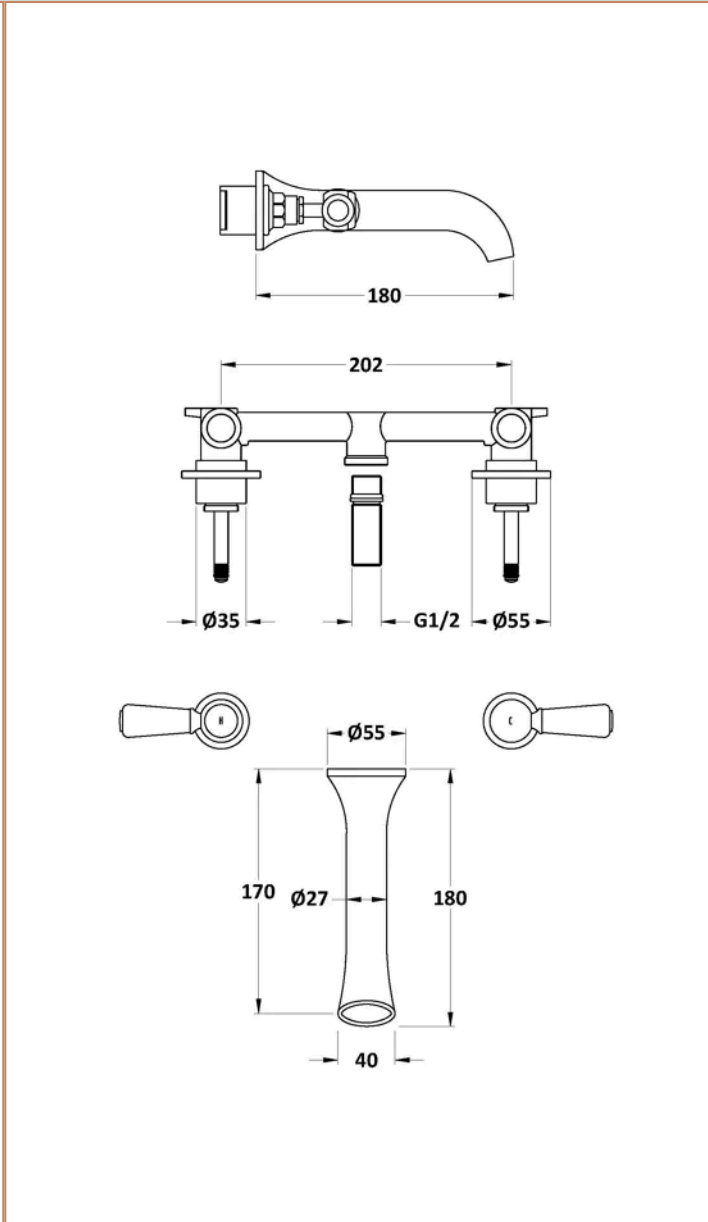
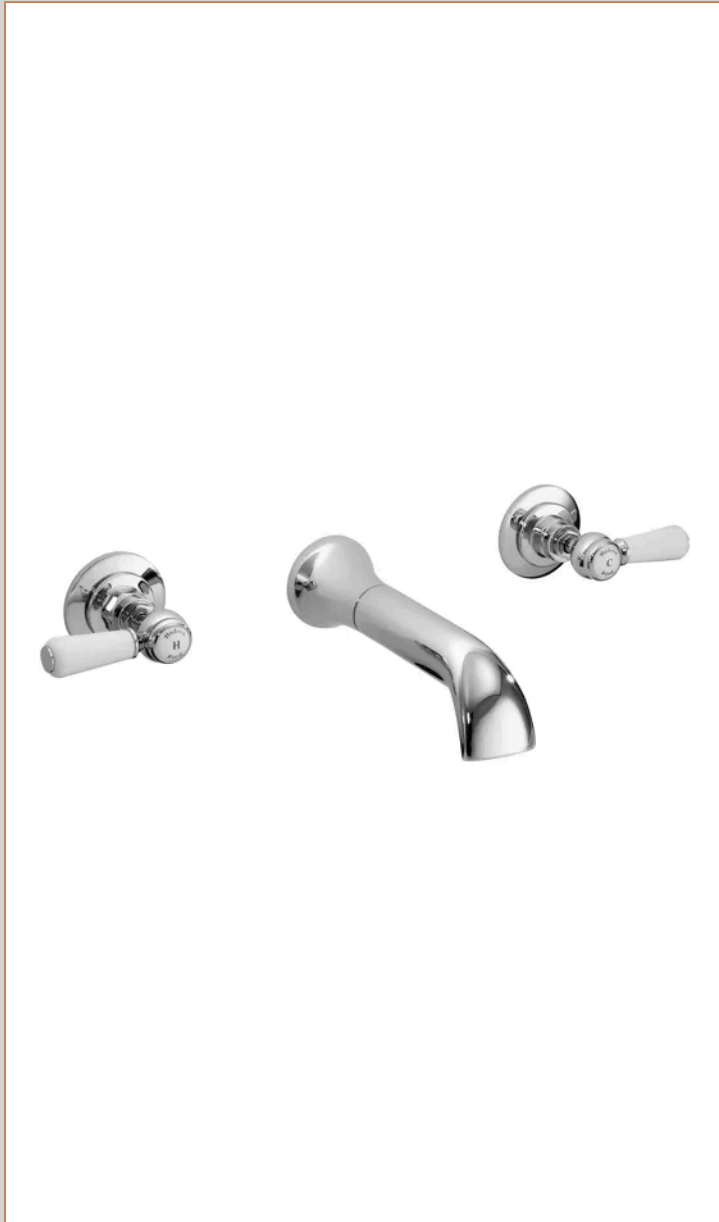


**Sales Code:**  
BC317HL

**Barcode:** 5056211853183

**Brand:** Hudson  
Reed

**Description:** Hudson Reed Topaz Chrome/White 3 Tap Hole Wall Mounted Basin Mixer With Hexagonal Collar and Lever Handle



**Product Dimensions**

|                 |                              |
|-----------------|------------------------------|
| Product         | 55 x 180mm (H x D)           |
| Packaged        | 65 x 350 x 213mm (H x W x D) |
| Nett Weight     | 1.7 kg                       |
| Packaged Weight | 2 kg                         |

**Packaging Details**

|                 |          |
|-----------------|----------|
| Label Size (mm) | 50 x 100 |
| Label Colour    | White    |
| Label Qty       | 1.0000   |

**Product Details**

|                            |                       |
|----------------------------|-----------------------|
| Country of Origin          | China                 |
| Product Material           | Brass                 |
| Control Type               | Manual                |
| WRAS Approved              | No                    |
| Valve/Cartridge Type       | 1/4 Turn Ceramic Disc |
| Colour/Finish              | Chrome                |
| Mount Type                 | Wall Hung             |
| Style                      | Traditional           |
| Handle Type                | Lever                 |
| TMV2 Approved              | No                    |
| TMV3 Approved              | No                    |
| Min Operating Pressure     | 0.1 Bar               |
| Minimum Operation Pressure | 0 Bar                 |
| Tap Spout Projection       | 180 mm                |
| Valve / Cartridge Type     | 1/4 Turn Ceramic Disc |
| Waste Included             | No                    |