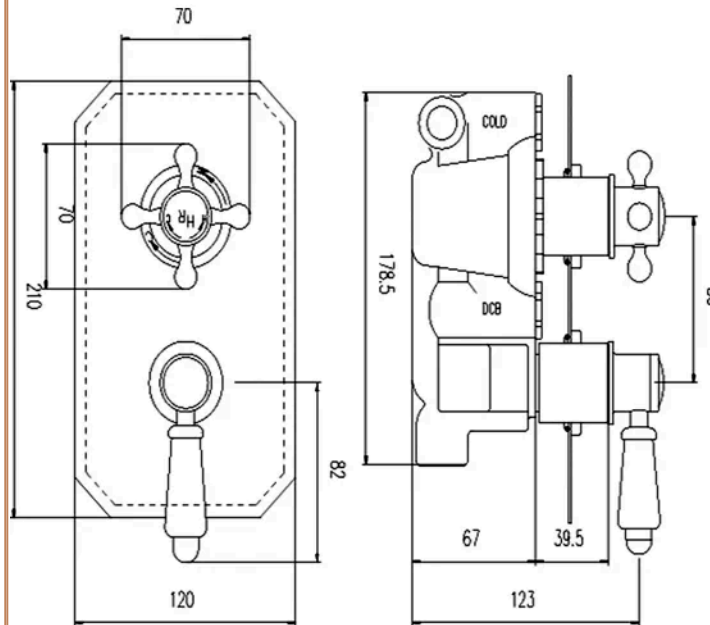


**Sales Code:** TSVT002

**Barcode:** 5055275831571

**Brand:** Hudson Reed

**Description:** Hudson Reed Topaz Chrome twin Thermostatic Shower Valve



### Product Dimensions

|                 |                               |
|-----------------|-------------------------------|
| Product         | 230 x 120 x 135mm (H x W x D) |
| Packaged        | 110 x 240 x 250mm (H x W x D) |
| Outer Box       | 325 x 490 x 290mm (H x W x D) |
| Nett Weight     | 2.8 kg                        |
| Packaged Weight | 3 kg                          |

### Packaging Details

|                 |          |
|-----------------|----------|
| Label Size (mm) | 50 x 100 |
| Label Colour    | White    |
| Label Qty       | 1.0000   |

### Product Details

|                            |                 |
|----------------------------|-----------------|
| Country of Origin          | United Kingdom  |
| Product Material           | Brass Abs       |
| Control Type               | Manual          |
| WRAS Approved              | Yes             |
| Valve/Cartridge Type       | 1/4 Turn        |
| Colour/Finish              | Chrome          |
| Mount Type                 | Recessed/Wall   |
| Style                      | Traditional     |
| Handle Type                | Crosshead/Lever |
| TMV2 Approved              | Yes             |
| TMV3 Approved              | No              |
| Handset Included           | No              |
| Head Included              | No              |
| Min Operating Pressure     | 0.1 Bar         |
| Minimum Operation Pressure | 0 Bar           |
| No. Outlets                | 1.0000          |
| Outlet Elbow Supplied      | No              |
| Tmv2 Approval Number       | 2603035         |
| Valve / Cartridge Type     | 1/4 Turn        |
| Wras Approval No           | 250602040       |