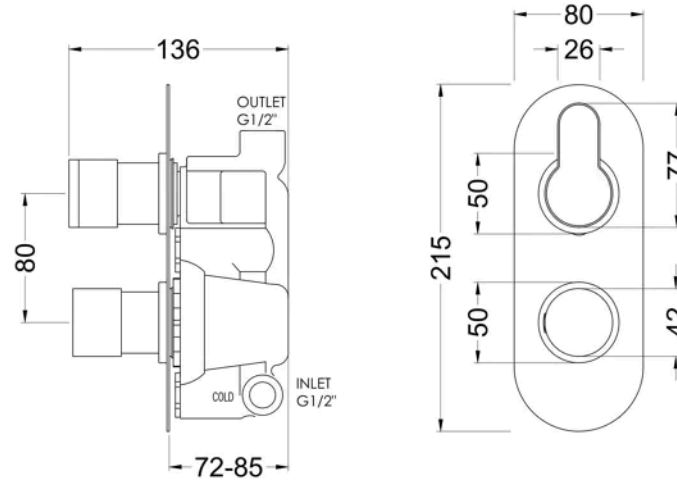
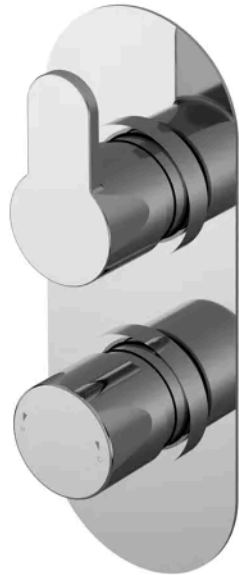


**Sales Code:** ARVTW01

**Barcode:** 5056211898672

**Brand:** nuie

**Description:** nuie Arvan Chrome Twin Thermostatic Shower Valve



**Product Dimensions**

Product	215 x 80 x 136mm (H x W x D)
Packaged	110 x 240 x 250mm (H x W x D)
Outer Box	500 x 360 x 280mm (H x W x D)
Nett Weight	2.57 kg
Packaged Weight	2.57 kg

**Packaging Details**

Label Size (mm)	50 x 100
Label Colour	White
Label Qty	1.0000

**Product Details**

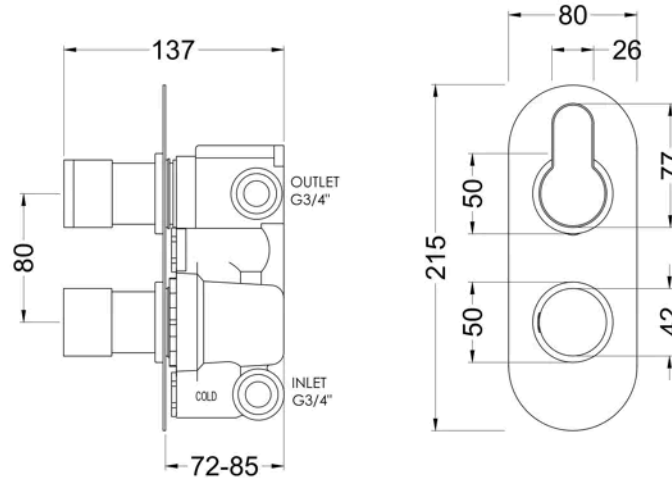
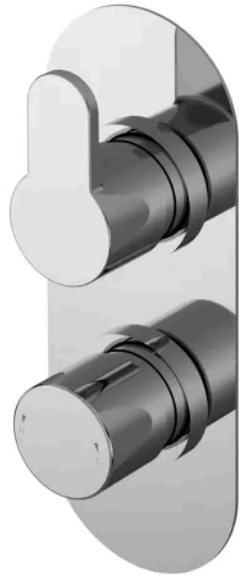
Country of Origin	China
Product Material	Brass Abs
Control Type	Manual
WRAS Approved	Yes
Valve/Cartridge Type	1/4 Turn
Colour/Finish	Chrome
Mount Type	Recessed/Wall
Style	Contemporary
Handle Type	Lever/Round
TMV2 Approved	Yes
TMV3 Approved	No
Handset Included	No
Head Included	No
Min Operating Pressure	0.1 Bar
Minimum Operation Pressure	0 Bar
No. Outlets	1.0000
Outlet Elbow Supplied	No
Tmv2 Approval Number	2603035
Valve / Cartridge Type	1/4 Turn
Wras Approval No	250602040

**Sales Code:** ARVTW02

**Barcode:** 5056211898689

**Brand:** nuie

**Description:** nuie Arvan Chrome Twin Thermostatic Shower Valve With Diverter



### Product Dimensions

Product	215 x 80 x 136mm (H x W x D)
Packaged	110 x 240 x 250mm (H x W x D)
Outer Box	500 x 420 x 270mm (H x W x D)
Nett Weight	2.9 kg
Packaged Weight	2.9 kg

### Packaging Details

Label Size (mm)	50 x 100
Label Colour	White
Label Qty	1.0000

### Product Details

Country of Origin	China
Product Material	Brass Abs
Control Type	Manual
WRAS Approved	Yes
Valve/Cartridge Type	1/4 Turn
Colour/Finish	Chrome
Mount Type	Recessed/Wall
Style	Contemporary
Handle Type	Lever/Round
TMV2 Approved	Yes
TMV3 Approved	No
Pipe Size	22 mm (3/4" BSP)
Handset Included	No
Head Included	No
Min Operating Pressure	0.5 Bar
Minimum Operation Pressure	1 Bar
No. Outlets	2.0000
Outlet Elbow Supplied	No
Tmv2 Approval Number	2603035
Valve / Cartridge Type	1/4 Turn
Wras Approval No	250602040