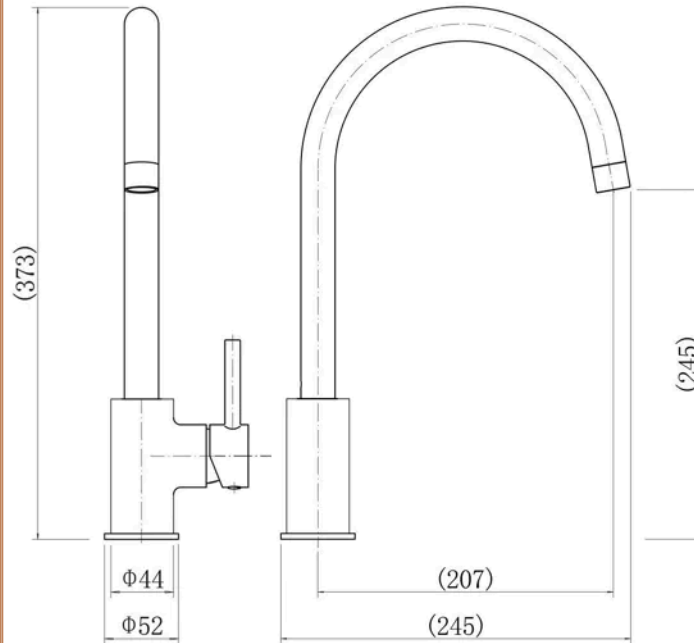


Sales Code: KAN305SL

Barcode: 5056817752415

Brand: nuie Kitchens

Description: nuie Chrome Single Lever Kitchen Tap



Product Dimensions

Product	373 x 52 x 245mm (H x W x D)
Packaged	55 x 230 x 420mm (H x W x D)
Nett Weight	1.43 kg
Packaged Weight	1.43 kg

Product Details

Country of Origin	China
Product Material	Brass
Control Type	Manual
WRAS Approved	Yes
Colour/Finish	Chrome
Mount Type	Deck
Style	Contemporary
Handle Type	Lever
Handset Included	No
Hose Included	No
Min Operating Pressure	0.5 Bar
Minimum Operation Pressure	1 Bar
Waste Included	No
Wras Approval No	2101047