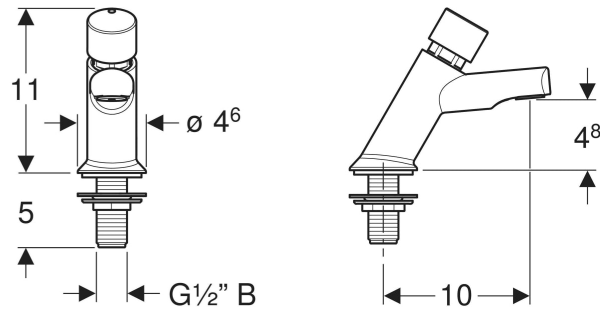


# Twyford Sola set of washbasin taps, deck-mounted, self-closing



## APPLICATION PURPOSES

- For public and semipublic areas
- For installation in washbasins or washtops

## CHARACTERISTICS

- Self-closing
- Volume flow control via tap aerator

## TECHNICAL DATA

Operating pressure	0.5–10 bar
Water temperature max.	65 °C
Flow rate at 300 kPa / 3 bar	8 l/min
Flow duration, factory setting	15 s
Product material	Brass / plastic

Art. no.	Colour / surface	Mixer	B cm	H cm	T cm
SF2251CP	chrome / glossy	without mixer	4.6	11	10.8