

# DOC M

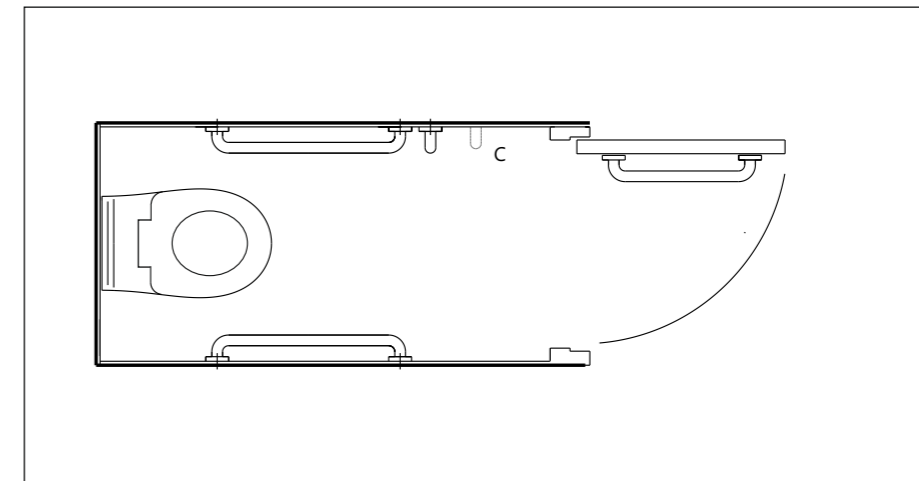
## RIMLESS W.C. AMBULANT PACK BACK TO WALL

### LAYOUT INSTRUCTIONS

#### LAYOUT AND DIMENSIONS

To be suitable for ambulant disabled users, W.C. Compartments should have at least the equipment, dimensions and layout as shown on the main drawing on page 3. The fixtures and rails included in this pack when installed as shown on the drawing provide the facilities required under Approved Document M of the Building Regulations 2015

Alternative layouts to that shown on the drawing may be acceptable provided evidence of compliance can be shown.



**Twyford**  
Geberit Group

**Twyford Bathrooms** Registered Office, Geberit House, Edgehill Drive, Warwick, CV34 6NH  
TEL: +44 (0) 1926 516800 Email: [enquiries@geberit.co.uk](mailto:enquiries@geberit.co.uk) WEB: [www.twyfordbathrooms.com](http://www.twyfordbathrooms.com)

## FIXINGS

Security of all items is vitally important and it is essential that the fixing instructions with each component within the pack are followed.

Walls onto which rails, sanitaryware and fixtures are mounted must be suitable for load bearing and to take the fixings recommended and supplied.

**W.C.** - Fixed to floor using pan to floor fixings provided.

**CONCEALED CISTERN** - Is designed to be fixed and plumbed in the duct behind the cubical wall. Secure using suitable rust resistant screws (not provided).

**STRAIGHT RAILS** - Secured to wall using appropriate screws and plugs - (not provided).

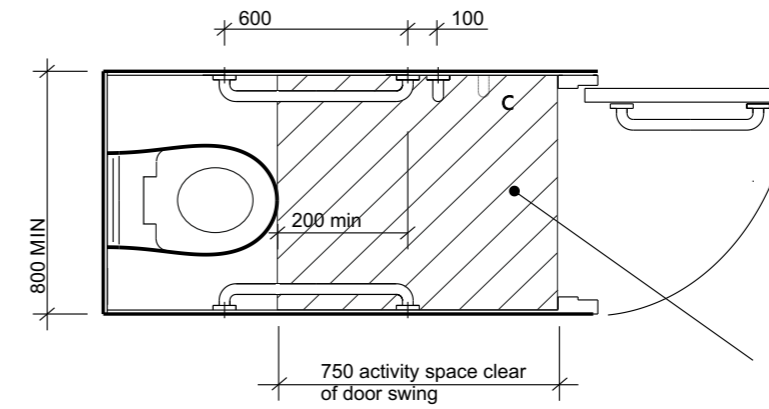
*If in doubt over fixing, you should refer to a specialist fixing supplier such as Fischer Fixings: Help line Number 01491 827900.*

## 6 or 4 Ltr FLUSH

Follow the instruction inside the cistern bag set to obtain the required flush volume. Retain the instructions for future reference.

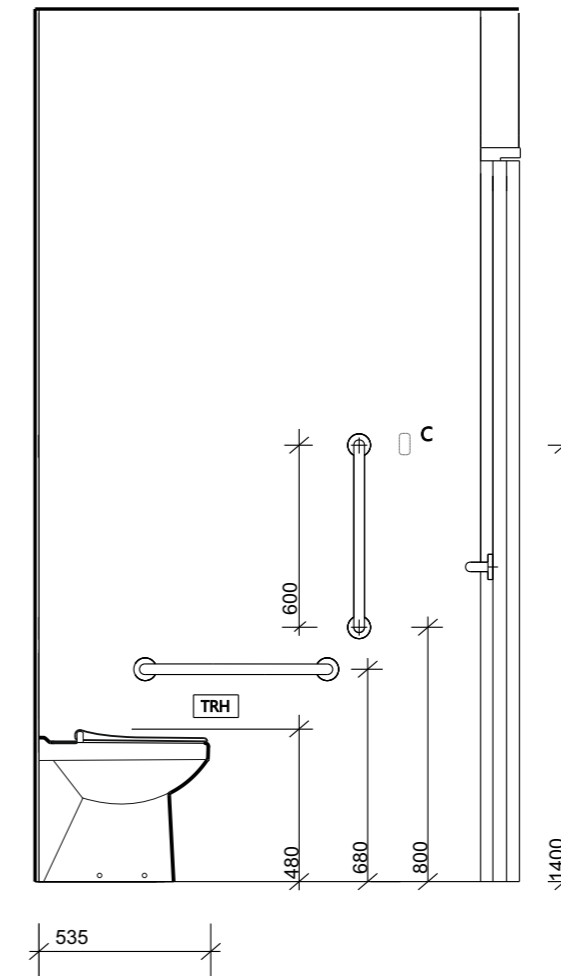
DRAWING No:- A25839

DIMENSIONS IN INCHES / MM



The area shown is the minimum required. It must be clear of all obstructions (eg plumbing and drainage fittings).

C: Coat Hook  
TRH: Toilet Roll Holder



### ITEMS PROVIDED IN KIT

#### WC SUITE

- RIMLESS WC
- CONCEALED CISTERN
- SEAT RING

#### RAILS

- 3 x 600mm RAILS
- 1 x 450mm RAIL

### OPTIONAL ADDITIONAL ITEM

THE GUIDANCE ( APPROVED DOCUMENT M AND THE BUILDING (SCOTLAND) REGULATIONS 2004 AND IN PARTICULAR THE SUPPORTING GUIDANCE IN SECTION 3.12 AND 4.2 OF THE DOMESTIC AND NON-DOMESTIC TECHNICAL HANDBOOK) ONLY RELATES TO THE ITEMS SHOWN ON THE ABOVE DRAWING.

- COAT HOOK MOUNTED ON THE SIDE WALL ( MARKED C ON THE DRAWING ) 1400mm FROM THE FLOOR.
- TOILET ROLL HOLDER