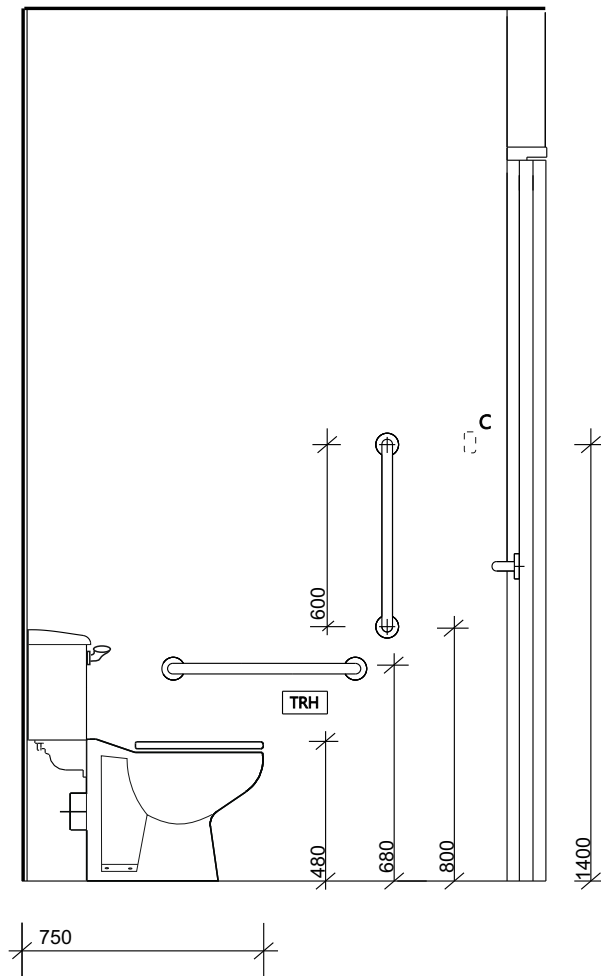


The area shown is the minimum required. It must be clear of all obstructions (eg plumbing and drainage fittings).



C: Coat Hook
 TRH: Toilet Roll Holder