

DOC.M Shower Pack

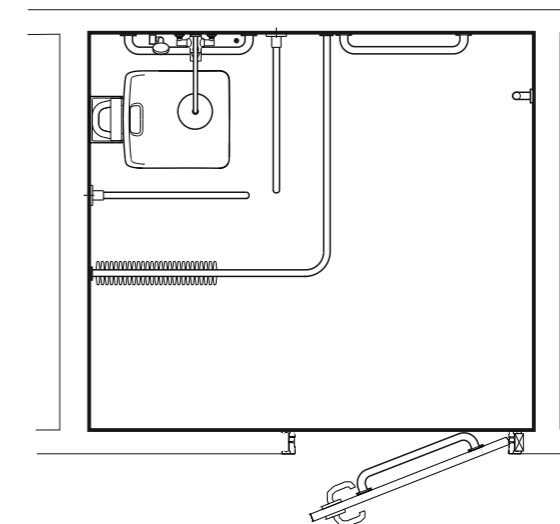
WHEELCHAIR ACCESSIBLE SHOWERING FACILITY

LAYOUT INSTRUCTIONS

LAYOUT AND DIMENSIONS

To be suitable for wheelchair users, the showering compartment should have at least the equipment, dimensions and layout as shown on the main drawing on page 3. The fixtures and rails included in this pack when installed as shown on the drawing provide the facilities required under Approved Document M of The Building Regulations 2015. (Reference should be made to Section 5 of the Building Regulations for the provision of essential equipment not provided for within this pack.)

Alternative layouts to that shown on the drawing may be acceptable provided Evidence of Compliance can be shown.



Twyford
Geberit Group

Twyford Bathrooms Registered Office, Geberit House, Edgehill Drive, Warwick, CV34 6NH
TEL: +44 (0) 1926 516800 Email: enquiries@geberit.co.uk WEB: www.twyfordbathrooms.com

ZE2026XX Rev 04/23
971.973.00.0(00)

FIXINGS

Security of all items is vitally important and it is essential that the fixing instructions with each component within the pack are followed.

Walls onto which rails and fixtures are mounted must be suitable to take the fixings recommended.

SHOWER SEAT- Secure to wall using suitable heavy duty bolts and plugs

SHOWER SEAT BACK REST- Secure to wall using heavy duty bolts and plugs

SHOWER CURTAIN RAIL- Secure to wall using appropriate screws and plugs - (not provided).

HINGED RAIL - Secure to wall using suitable heavy duty bolts and plugs - (not provided).

STRAIGHT RAILS - Secure to wall using appropriate screws and plugs - (not provided).

If in doubt over fixing, you should refer to a specialist fixing supplier such as Fischer Fixings: Help line Number 01491 827900.

THERMOSTATIC SHOWER VALVE, TMV3

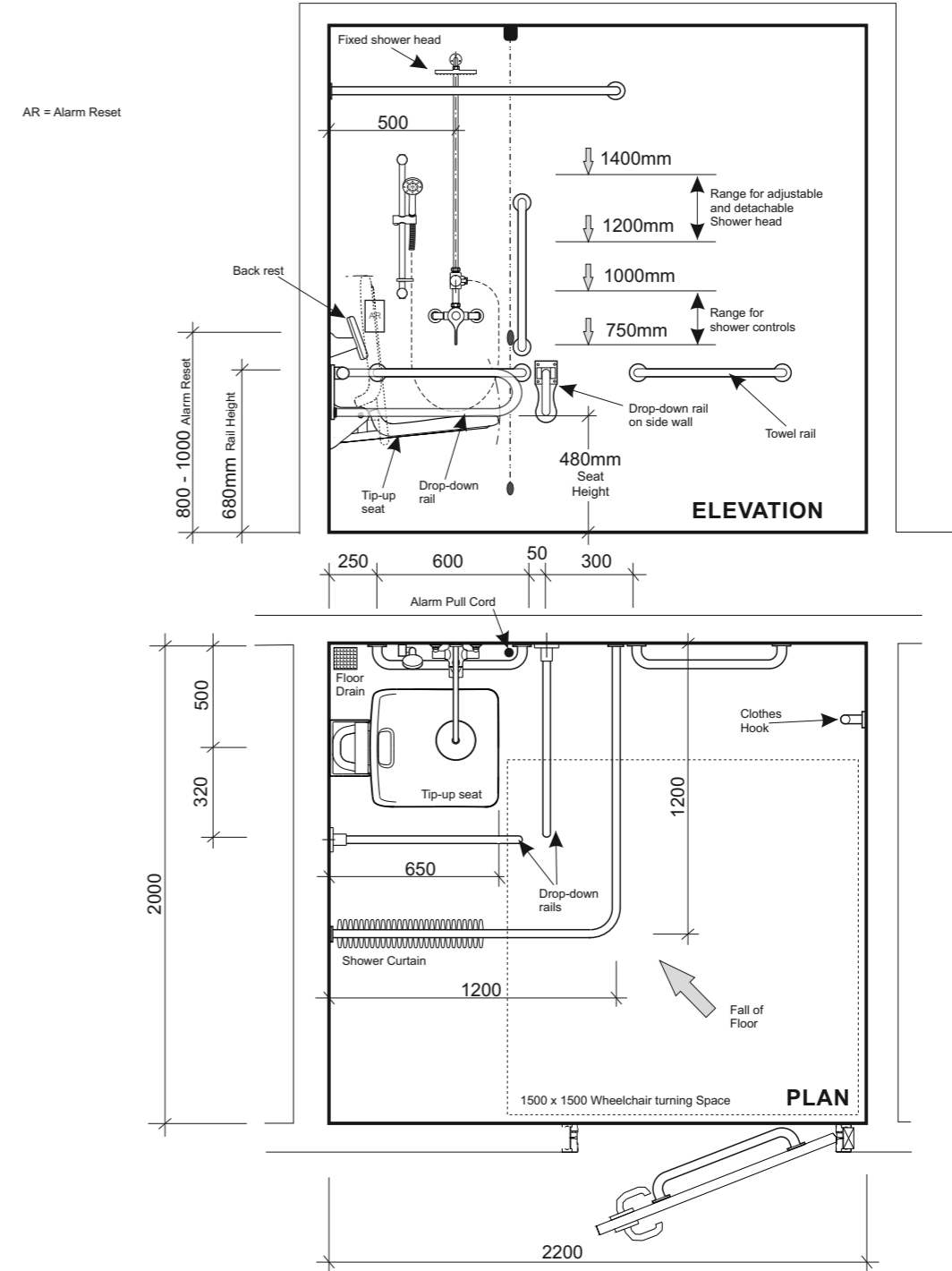
Uses proven thermostatic technology for temperature control to a maximum temperature preset at 42°C, which can be adjusted if required.

SHOWER DIVERTER

A single lever provides selection of operation between the fixed and adjustable shower heads.

DRAWING No:- A25842

DIMENSIONS ARE IN - MM



The drawing above shows a Left Hand installation. A Right Hand installation is the mirror image of above.

ITEMS PROVIDED IN KIT

- SHOWER SEAT inc BACK REST
- 3 x SUPPORT RAILS
- 2 x HINGED SUPPORT RAIL
- TMV 3 EXPOSED SHOWER VALVE
- SHOWER RAIL, HOSE & HEAD
- FIXED SHOWER HEAD inc PIPE
- SHOWER DIVERTER
- SHOWER CURTAIN RAIL
- 2 x SHOWER CURTAIN

NOTE:

THE GUIDANCE ONLY RELATES TO THE ITEMS SHOWN ON THE ABOVE DRAWING.

REFERENCE SHOULD BE MADE TO THE PROVISIONS IN SECTION 5 (5.15 - 5.18) IN APPROVED DOCUMENT M 2015 EDITION FOR OTHER ITEMS THAT SHOULD BE SUBMITTED FOR NORMAL APPROVAL WHEN A BUILDING REGULATION APPLICATION IS MADE.