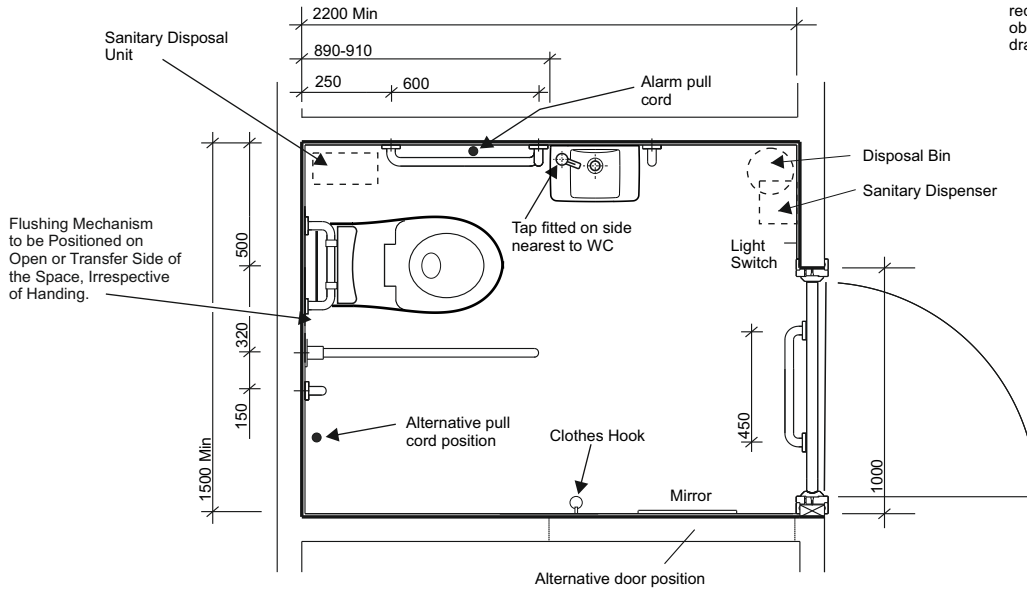
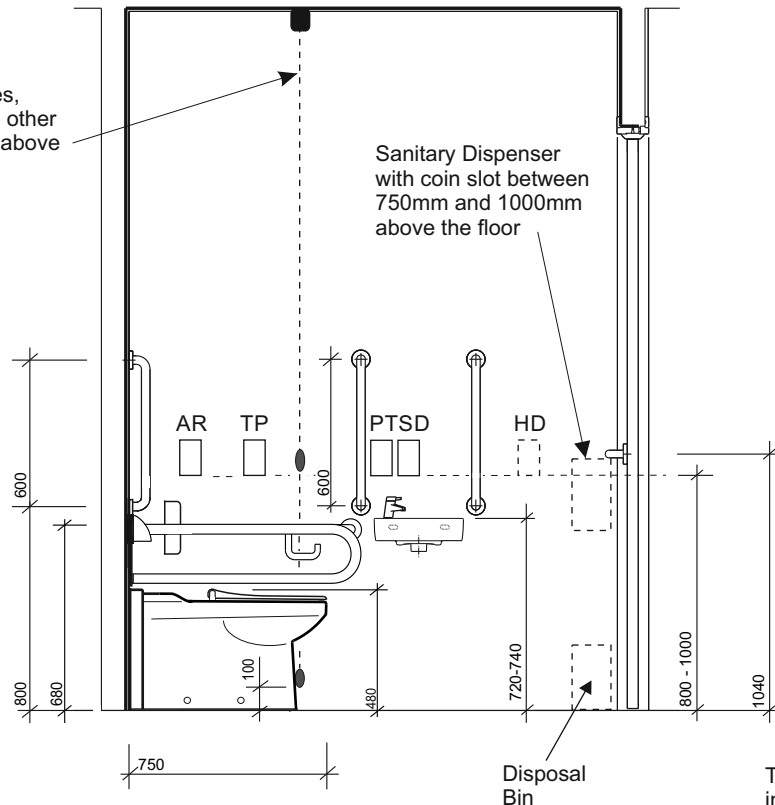


The area shown is the minimum required. It must be clear of all obstructions (eg plumbing and drainage fittings).



Alarm pull cord with red bangles, one at 100, the other at 800 to 1000 above the floor



- AR: Alarm Reset Button
- TP: Toilet Paper Dispenser
- PT: Paper Towel Dispenser
- SD: Soap Dispenser
- HD: Possible position for Automatic Hand Dryer

The drawing above shows a Left Hand installation. A Right Hand installation is the mirror image of above.