

DOC M

RIMLESS BACK TO WALL PACK

WHEELCHAIR ACCESSIBLE W.C. FACILITY

LAYOUT INSTRUCTIONS

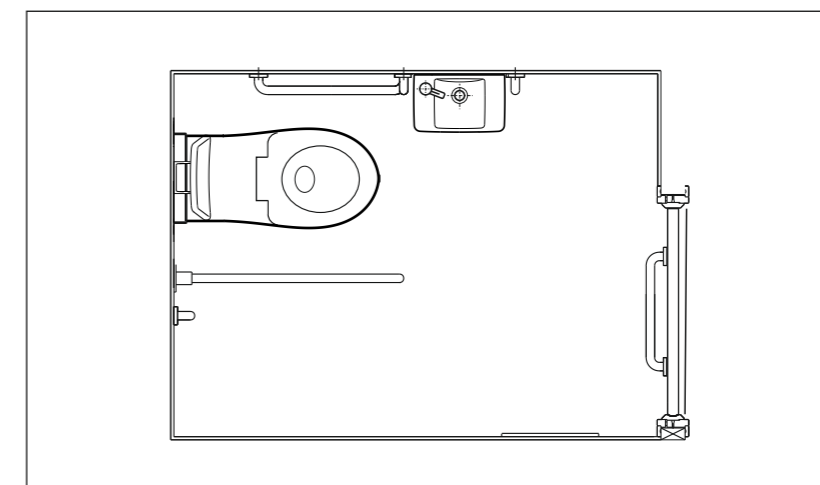
LAYOUT AND DIMENSIONS

To be suitable for wheelchair users, W.C. compartments should have at least the equipment, dimensions and layout as shown on the main drawing on page 3. The fixtures and rails included in this pack (plus mirror and light switch) when installed as shown on the drawing provide the facilities required under Approved Document M of the Building Regulations 2004.

Alternative layouts to that shown on the drawing may be acceptable, provided evidence of compliance can be shown.

HANDING OF LAYOUT

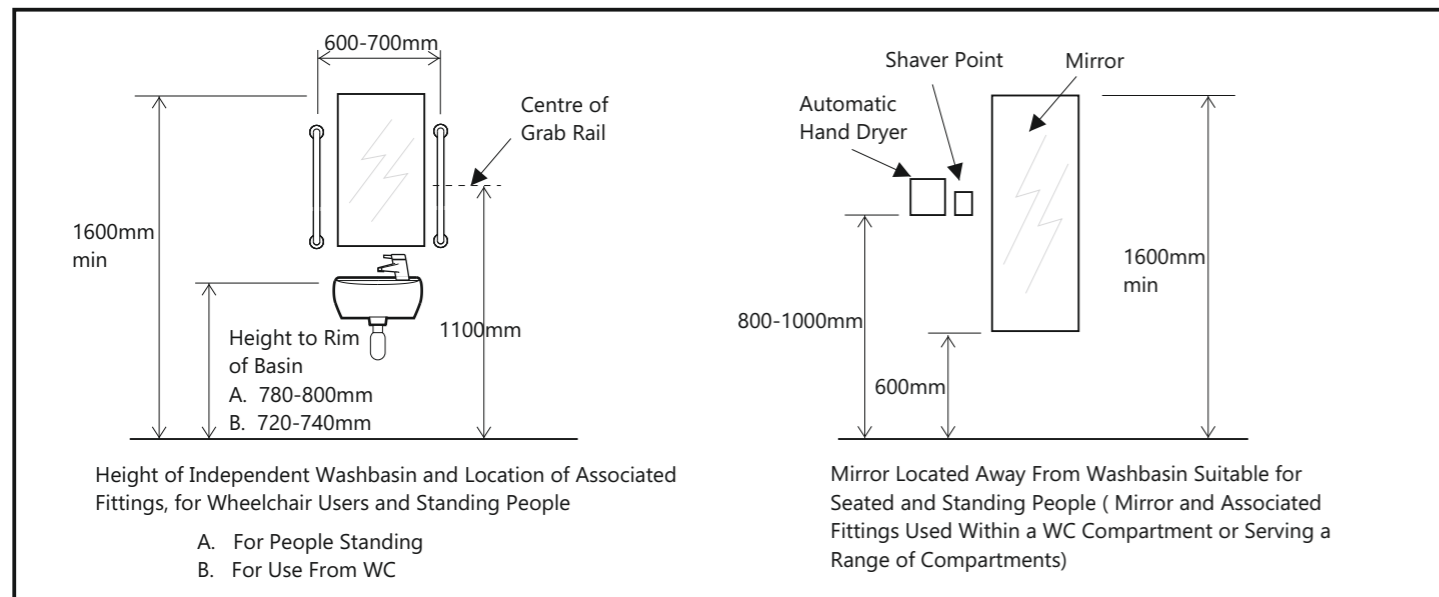
If a building contains more than one wheelchair accessible W.C. facility the opportunity should be taken to hand the layouts. One pack can be used to meet this need. The main drawing on page 4 relates to the left handed assembly but the positioning dimensions are the same for either handing.



Twyford
Geberit Group

Twyford Bathrooms Registered Office, Geberit House, Edgehill Drive, Warwick, CV34 6NH
TEL: +44 (0) 1926 516800 Email: enquiries@geberit.co.uk WEB: www.twyfordbathrooms.com

HEIGHT OF VARIOUS FITTINGS IN TOILET ACCOMODATION



FIXINGS

Security of all items is vitally important and it is essential that the fixing instructions with each component within the pack are followed.

Walls onto which rails, sanitaryware and fixtures are mounted must be suitable for load bearing and to take the fixings recommended and supplied.

W.C. - Fixed to floor using pan to floor fixings provided.

CISTERN - Fixed to WC bowl with fixings provided then plugged and screwed to wall using 2 x 50 mm No. 10 woodscrews - (not provided).

WASHBASIN - Securely fixed to a suitable solid wall using bolts and plugs - (not provided).

HINGED RAIL - Secured to wall using suitable heavy duty bolts and plugs - (not provided).

STRAIGHT RAILS - Secured to wall using appropriate screws and plugs - (not provided).

If in doubt over fixing, you should refer to a specialist fixing supplier such as Fischer Fixings: Help line Number 01491 827900.

THERMOSTATIC MIXER TAP - TMV3

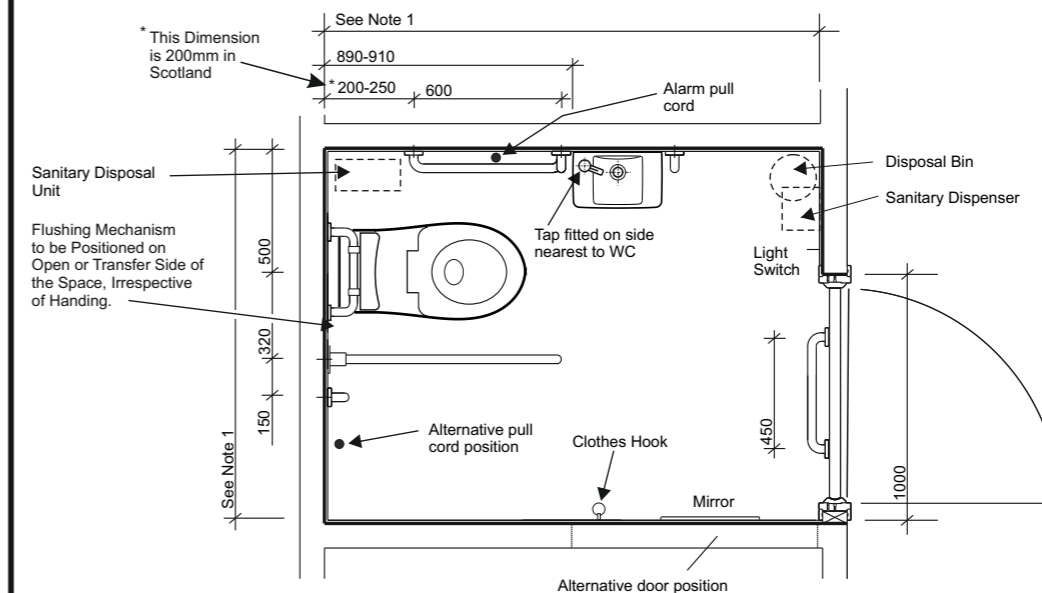
The Thermostatic mixer tap provides safe blended water at a maximum temperature preset to 42°C. Using the single lever, from off, rotate clock-wise to start the water flow from cold and then progressively further to hot .

6 or 4 Ltr FLUSH

Follow the instruction inside the cistern bag set to obtain the required flush volume. Retain the instructions for future reference.

DRAWING No:- A25838

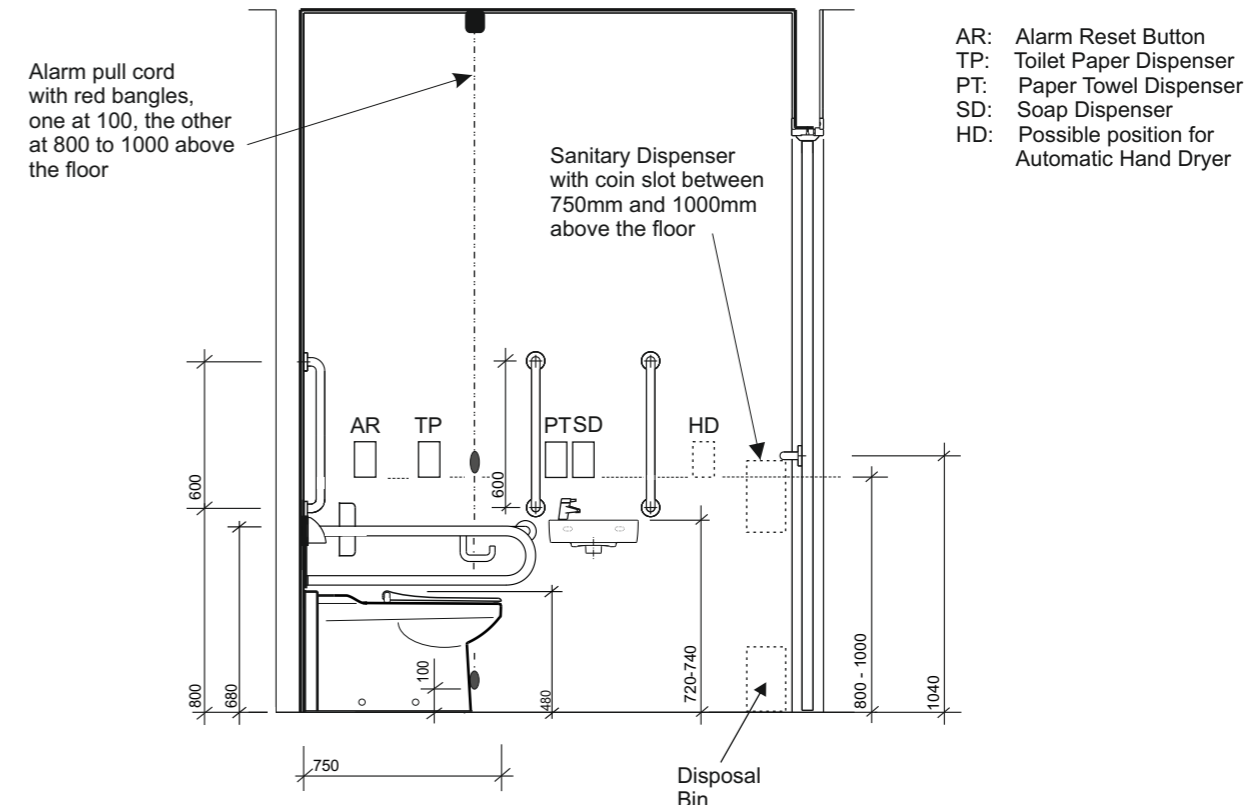
DIMENSIONS ARE IN - MM



Note 1

For overall cubicle dimensions please refer to Approved Document M or the Scottish Building Regulations.

A minimum manoeuvring space of 1.5mtrs x 1.5mtrs clear of the WC pan and any obstruction other than the basin bowl.



The drawing above shows a Left Hand installation. A Right Hand installation is the mirror image of above.

ITEMS PROVIDED IN KIT

WC SUITE

- RIMLESS WC
- 50mm EXTENSION BOX
- CONCEALED CISTERN
- SEAT RING
- BACK REST PAD

WASHBASIN

- BASIN - 1 TAP HOLE
- TMV 3 MIXER TAP
- BASIN FIXINGS
- GRID WASTE

RAILS

- 4 x 600mm RAILS
- 1 x 450mm RAIL
- HINGED SUPPORT RAIL WITH TOILET ROLL HOLDER

MANDATORY ADDITIONAL ITEMS

MIRROR 400 WIDE X 1000MIN
HEIGHT FIXED 600mm TO BOTTOM EDGE
LIGHTING PULL CORD BETWEEN 900 - 1100mm ABOVE FLOOR LEVEL

NOTE:

REFERENCE SHOULD BE MADE TO THE PROVISIONS IN SECTION 5 (5.4-5.10) IN APPROVED DOCUMENT M 2015 EDITION FOR OTHER ITEMS THAT SHOULD BE SUBMITTED FOR NORMAL APPROVAL WHEN A BUILDING REGULATION APPLICATION IS MADE.