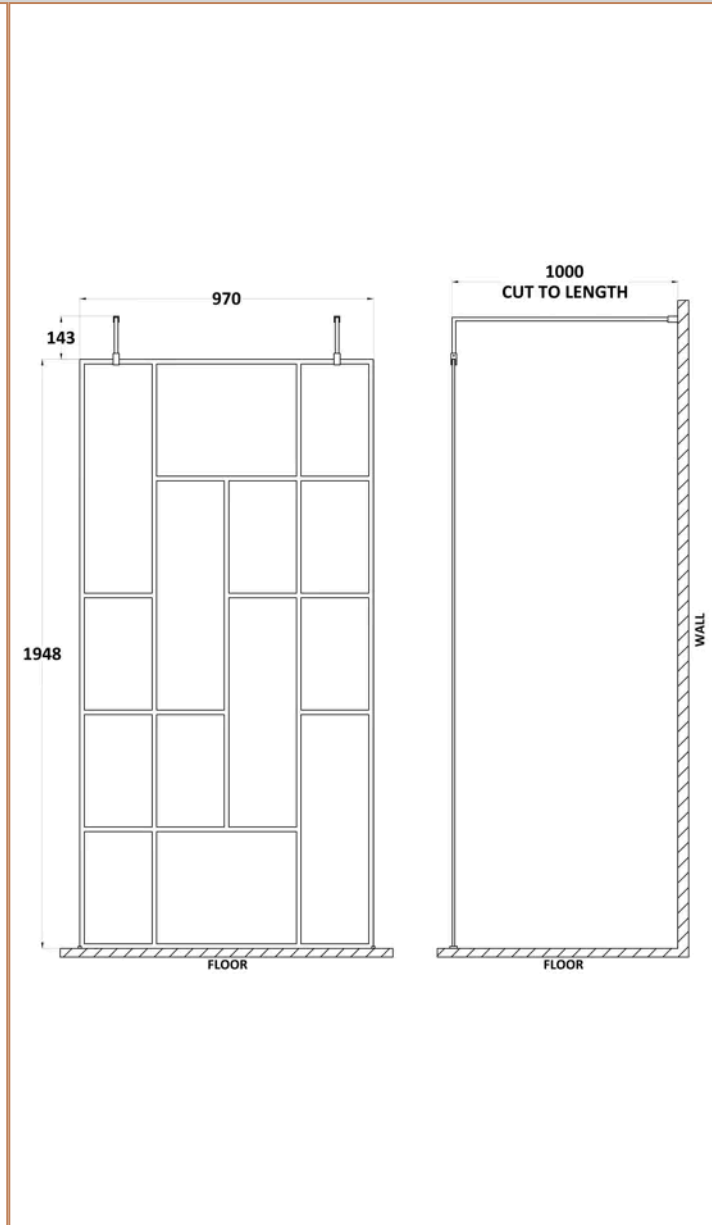
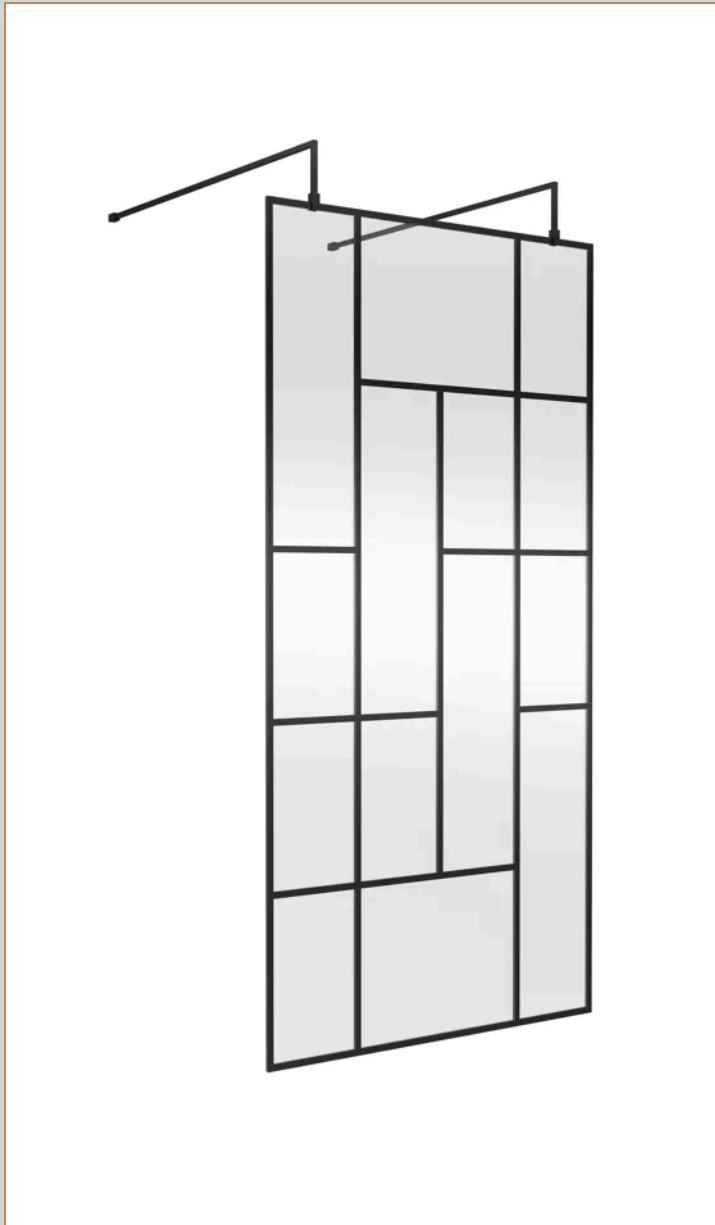


Sales Code: NWFafb10

Barcode: 5056883734582

Brand: nuie

Description: nuie 1000mm Matt Black Abstract Frame Wetroom Screen



Product Dimensions

| | |
|-----------------|--------------------------------|
| Product | 1950 x 1050 x 60mm (H x W x D) |
| Packaged | 60 x 1050 x 2070mm (H x W x D) |
| Nett Weight | 44.8 kg |
| Packaged Weight | 44.8 kg |

Product Details

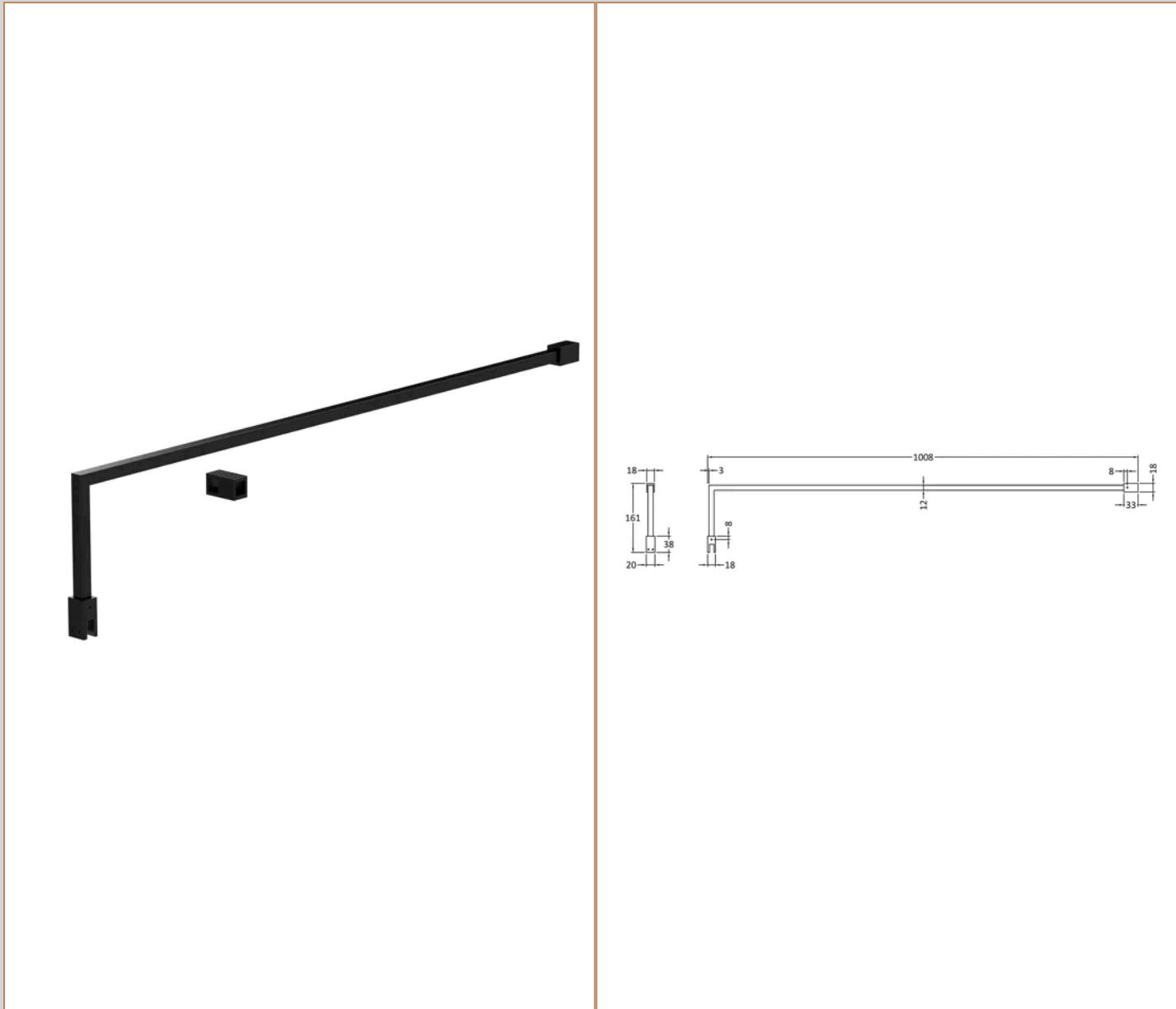
| | |
|----------------------------|--------------|
| Country of Origin | China |
| Product Material | Aluminium |
| Colour/Finish | Matt Black |
| Style | Contemporary |
| Easy Clean | Yes |
| Ce Certified | Yes |
| Declaration Of Performance | Yes |
| Easy Fit | No |
| Enclosure Design | Frameless |
| Frame Finish | Matt Black |
| Glass Thickness | 8 mm |
| Handles Included | No |
| Ukca Certified | Yes |

Sales Code: FIX024

Barcode: 5056211847342

Brand: Hudson Reed

Description: Matt Black Wetroom Screen Support Arm



Product Dimensions

| | |
|-----------------|-------------------------------|
| Product | 15 x 150 x 1000mm (H x W x D) |
| Packaged | 35 x 160 x 1020mm (H x W x D) |
| Nett Weight | 0.67 kg |
| Packaged Weight | 0.7 kg |

Product Details

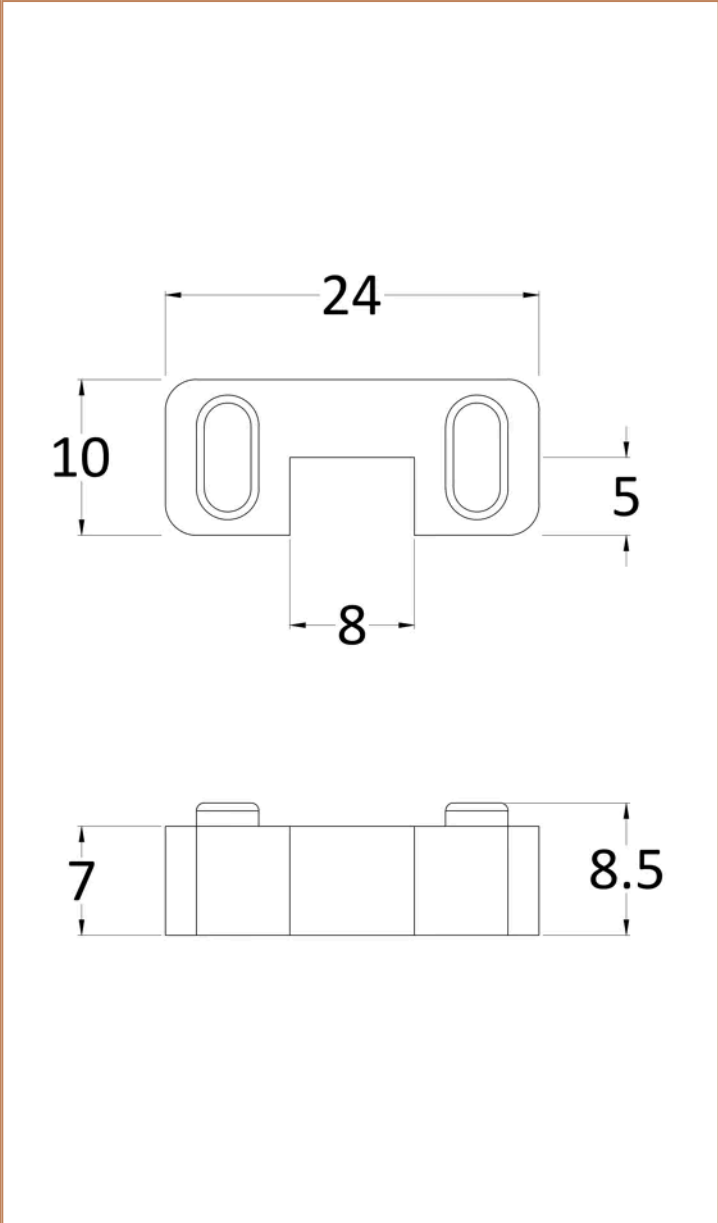
| | |
|-------------------|-----------------|
| Country of Origin | China |
| Product Material | Stainless Steel |
| Colour/Finish | Matt Black |
| Style | Contemporary |

Sales Code: WRSF007

Barcode: 5056211850625

Brand: Hudson Reed

Description: Black Wetroom Screen Horseshoe Support Foot



Product Dimensions

| | |
|-----------------|----------------------------|
| Product | 45 x 44 x 30mm (H x W x D) |
| Packaged | 45 x 30 x 44mm (H x W x D) |
| Nett Weight | 0.16 kg |
| Packaged Weight | 0.16 kg |

Product Details

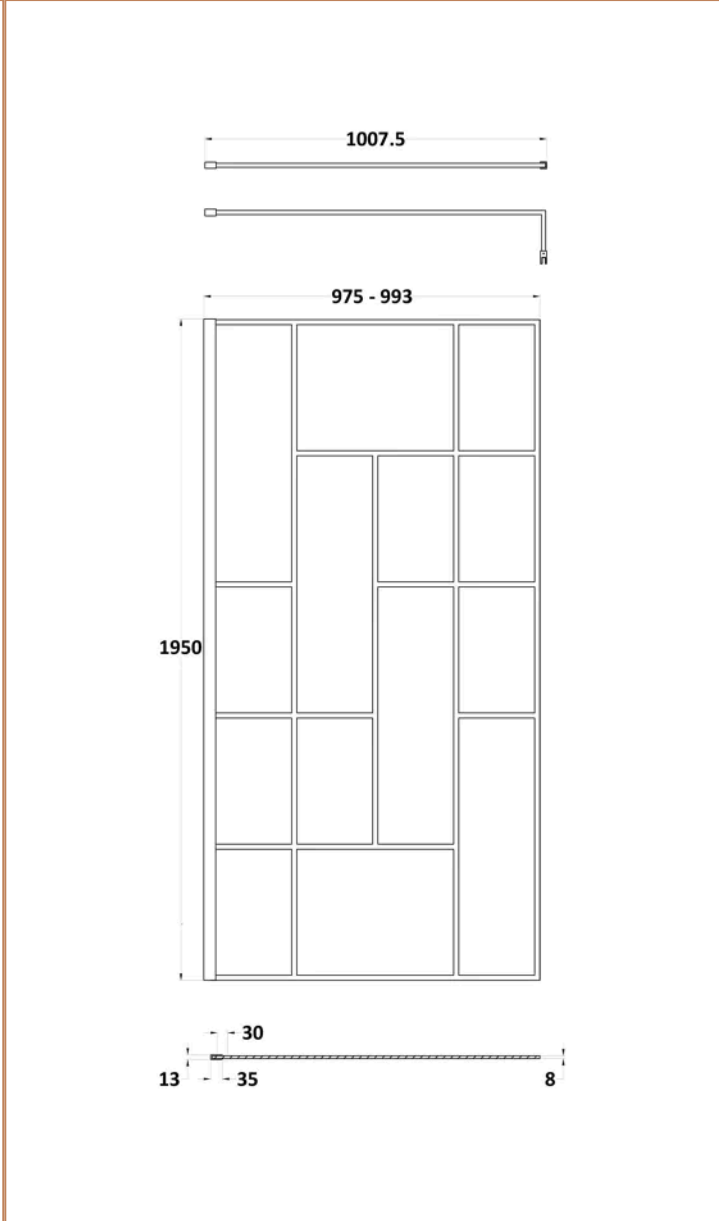
| | |
|-------------------|--------------|
| Country of Origin | China |
| Product Material | Brass |
| Colour/Finish | Black |
| Style | Contemporary |

Sales Code:
WRSFB10

Barcode: 5056462614151

Brand: Hudson
Reed

Description: Hudson Reed 1000mm Matt Black Abstract Frame Wetroom Screen With Support Bar



| Product Dimensions | |
|----------------------------|--------------------------------|
| Product | 1950 x 1000 x 14mm (H x W x D) |
| Packaged | 65 x 1045 x 2010mm (H x W x D) |
| Nett Weight | 44.8 kg |
| Packaged Weight | 44.8 kg |
| Product Details | |
| Country of Origin | China |
| Product Material | Aluminium |
| Colour/Finish | Matt Black |
| Style | Contemporary |
| Fixings Included | Yes |
| Easy Clean | Yes |
| Adjustment Max | 993 |
| Adjustment Min | 975 |
| Ce Certified | Yes |
| Declaration Of Performance | Yes |
| Easy Fit | No |
| Enclosure Design | Semi-Frameless |
| Frame Finish | Matt Black |
| Glass Thickness | 8 mm |
| Handles Included | No |
| Support Bar Included | Yes |
| Ukca Certified | Yes |