

Warranty Information

Proof of purchase will be required.

The guarantee does not cover faults or damage caused by incorrect installation and/or maintenance, ordinary wear and tear, water composition, etc.

*Please see www.methven.com for full terms and conditions of warranty

Cleaning

Your product has a high-quality finish and should be treated with care to preserve the visible surfaces. Never use abrasives or abrasive cleaning agents to clean this product clean regularly with contamination free warm water and a damp soft cloth. Do not use products containing chlorine bleach or hydrochloric acid as these can damage the product.

We have a policy of continuous improvement and reserve the right to change specifications without notice.

METHVEN UK LIMITED
METHVEN EXPERIENCE CENTRE
3/3A STONE CROSS COURT
YEW TREE WAY
GOLBORNE
WARRINGTON
WA3 3JD
UNITED KINGDOM
INST-PABFCP
28/02/2023

TEL: 0800 195 1602
FAX: 0844 406 8690
EMAIL: sales@uk.methven.com
www.deva-uk.com
www.methven.com

Paxton Bath Filler

PABFCP

Installation Guide

Technical Specification

Operating Pressure

Min: 0.1 Bar

Max: 5.0 Bar

Operating Temperature

Hot: 65°C

Cold: 5°C

Inlet Connections

3/4" BSP

Features

- Suitable For A Two Tap Hole Bath
- Deck Mounted
- Metal Back Nuts
- 1/4 Turn 3/4" Male Quarter Turn Ceramic Disc Valves
- Suitable For All Water Pressures



METHVEN
www.methven.com EST 1886

Please read all of the instructions before installation.

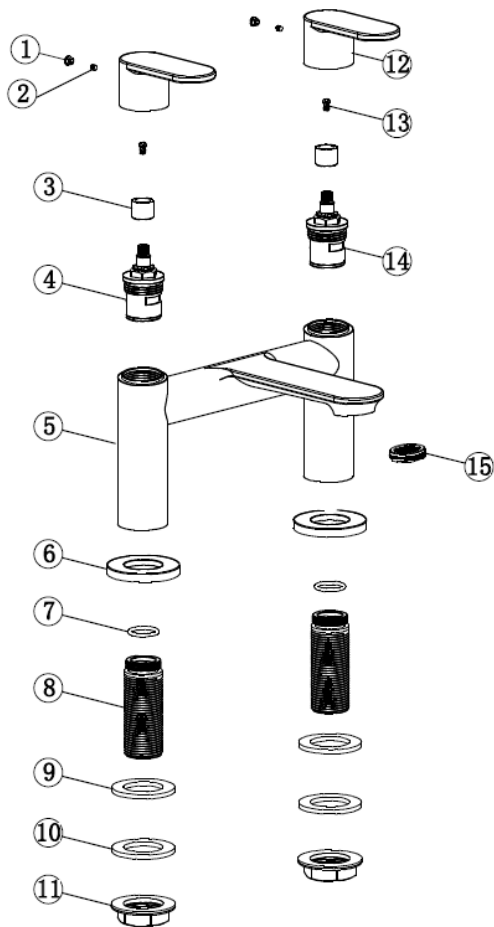
General

Methven recommends this product is installed by a competent person in compliance with all relevant regional regulations.

After installation all connections must be checked for leaks.

All outlets used primarily for personal hygiene shall deliver water at a safe temperature as per regional regulations.

It is the responsibility of the installer to ensure a waterproof seal is achieved.



Item Number	Item Name
1	Cover
2	Screw
3	Plastic Core
4	Hot Cartridge
5	Tap Body
6	Base Plate
7	O-Ring
8	Inlet Pipe
9	Washer
10	Washer
11	BackNut
12	Handle
13	Screw
14	Cold Cartridge
15	Neoperl Aerator

Installation Instructions

- 1) Remove the back nuts (11) and back nut washer (9/10) from the inlet pipes (8).
- 2) Push the mixer inlet pipes through the holes in the bath, ensuring that the base plates (6) are correctly positioned, fully covering the mounting holes.
- 3) Place the back nut washer (9/10) and back nuts (11) back onto the inlet pipe (8), under the bath, and screw up until the tap is secured in position (do not over-tighten). Please note additional sealant can be used if required.
- 4) Connect the water supply pipes to the inlet pipes and tighten, an adequate sealing method should be used to create a watertight seal.
- 5) Reinstate the water supply and test for leaks.

Line Drawing

