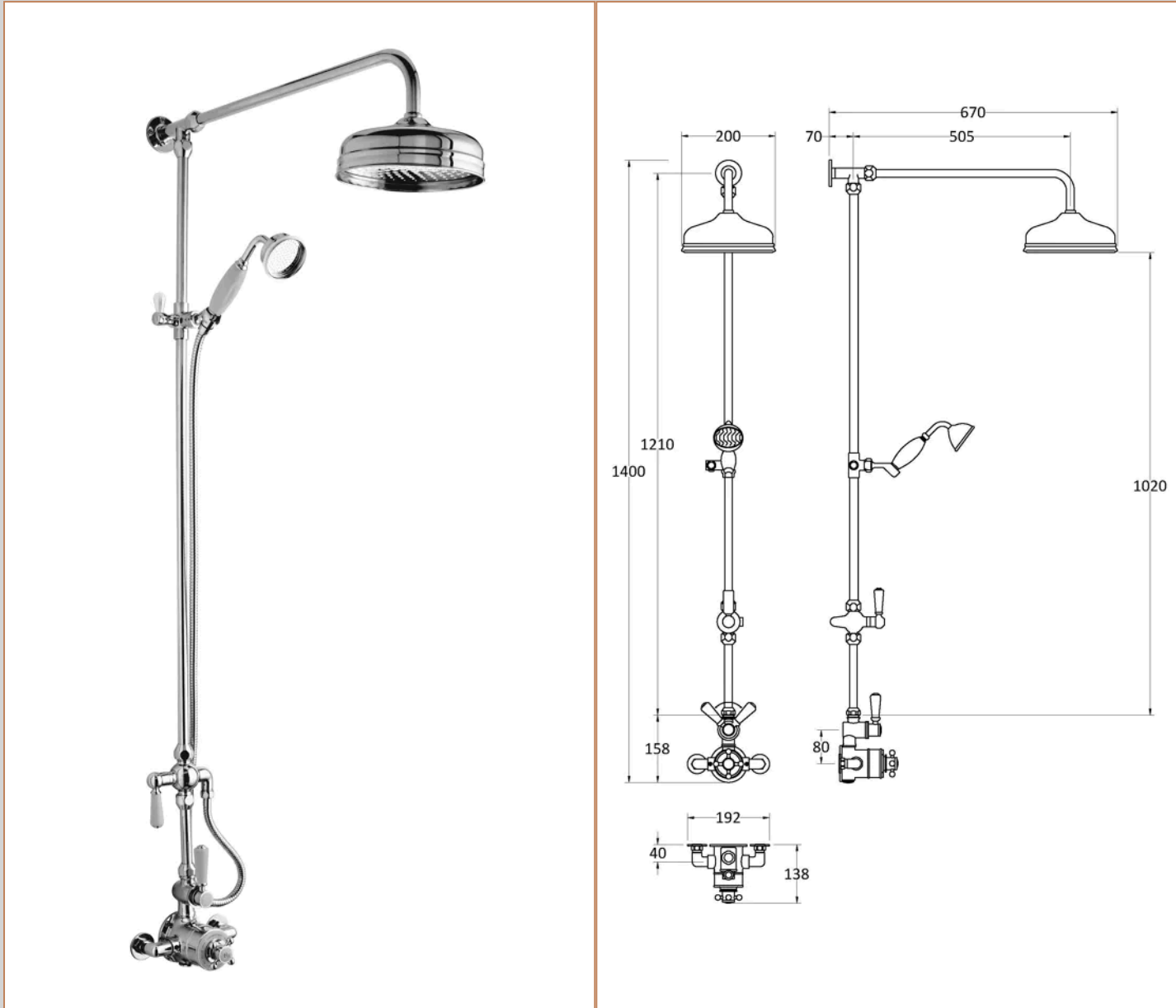


Sales Code:
A3119

Barcode: 5056883704004

Brand: Hudson
Reed

Description: Hudson Reed Exposed Chrome Traditional Thermostatic Shower Kit With Head and Handset



Product Dimensions

Product	1400 x 200 x 670mm (H x W x D)
Nett Weight	7.02 kg
Packaged Weight	7.02 kg

Product Details

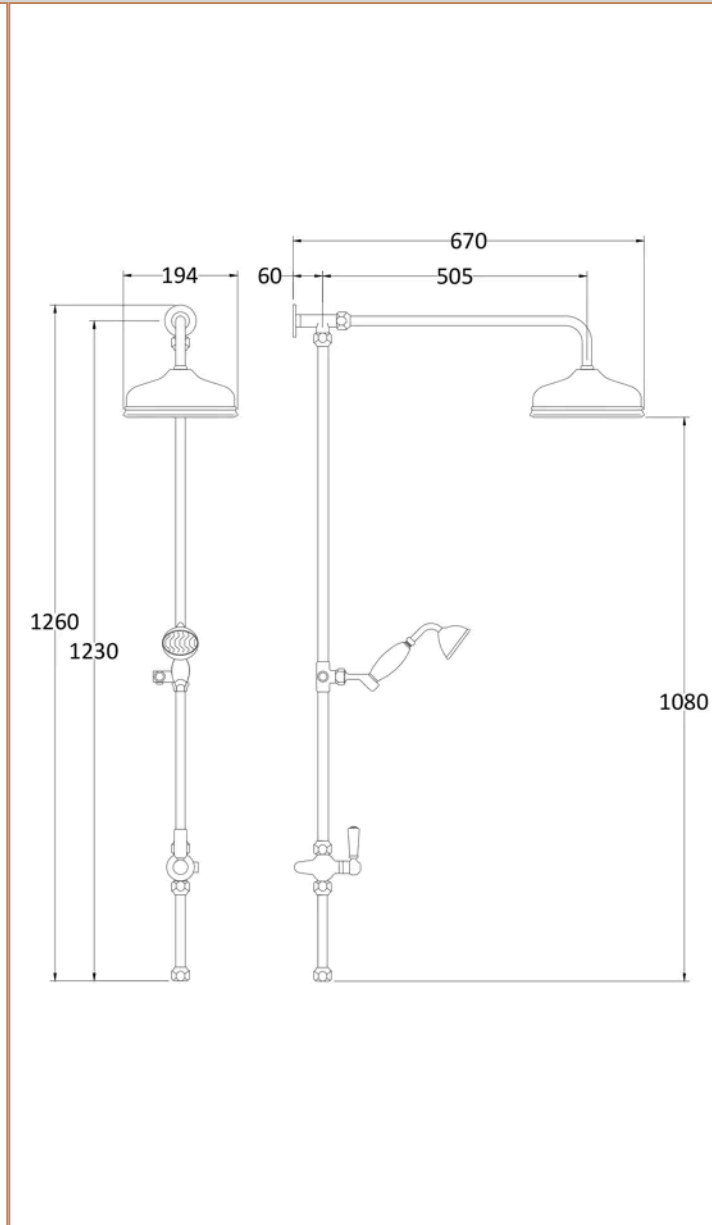
Country of Origin	China
Product Material	Brass
Control Type	Manual
Colour/Finish	Chrome
Mount Type	Wall Hung
Style	Traditional
Handset Included	Yes
Head Included	Yes
Hose Included	Yes
Min Operating Pressure	0.5 Bar
Minimum Operation Pressure	1 Bar

Sales Code: AM312

Barcode: 5055146129714

Brand: nuie

Description: Chrome Dual Rigid Riser Kit



Product Dimensions

Product	1260 x 190 x 670mm (H x W x D)
Packaged	110 x 240 x 1100mm (H x W x D)
Nett Weight	4.7 kg
Packaged Weight	5.2 kg

Packaging Details

Label Size (mm)	50 x 100
Label Colour	White
Label Qty	2.0000

Product Details

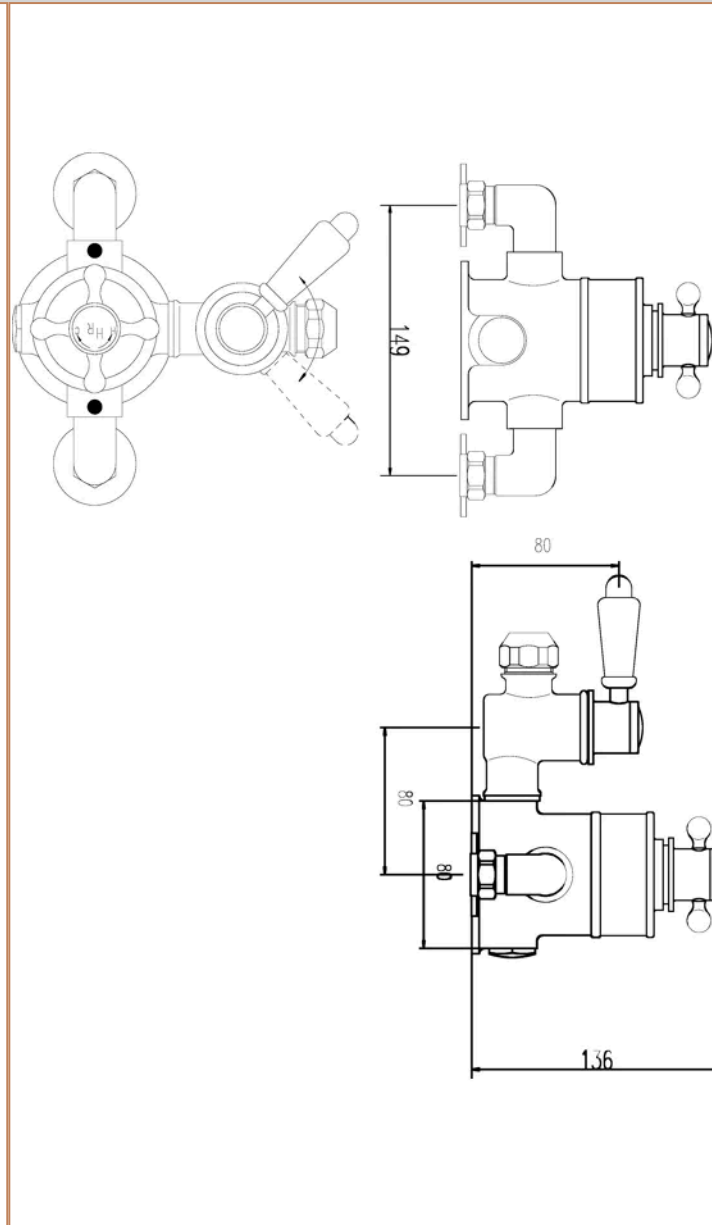
Country of Origin	China
Product Material	Brass
Control Type	Not Applicable
WRAS Approved	No
Colour/Finish	Chrome
Mount Type	Surface/Wall
Style	Traditional
Easy Clean	No
TMV2 Approved	No
TMV3 Approved	No
Pipe Size	18 mm
Handset Included	Yes
Head Included	Yes
Hose Included	Yes
Hose Length	1500 mm
Min Operating Pressure	0.5 Bar
Minimum Operation Pressure	1 Bar
No. Outlets	2.0000
Outlet Elbow Supplied	No

Sales Code: TSVT101

Barcode: 5055275831588

Brand: Hudson Reed

Description: Hudson Reed Topaz Chrome Twin Thermostatic Shower Valve



Product Dimensions

Product	206 x 195 x 135mm (H x W x D)
Packaged	170 x 215 x 245mm (H x W x D)
Outer Box	480 x 440 x 520mm (H x W x D)
Nett Weight	2.5 kg
Packaged Weight	3 kg

Packaging Details

Label Size (mm)	50 x 100
Label Colour	White
Label Qty	1.0000

Product Details

Country of Origin	United Kingdom
Product Material	Brass
Control Type	Manual
WRAS Approved	No
Valve/Cartridge Type	1/4 Turn
Colour/Finish	Chrome
Mount Type	Wall Hung
Style	Traditional
Handle Type	Crosshead/Lever
TMV2 Approved	No
TMV3 Approved	No
Pipe Centres	150
Handset Included	No
Head Included	No
Min Operating Pressure	0.1 Bar
Minimum Operation Pressure	0 Bar
No. Outlets	1.0000
Valve / Cartridge Type	1/4 Turn