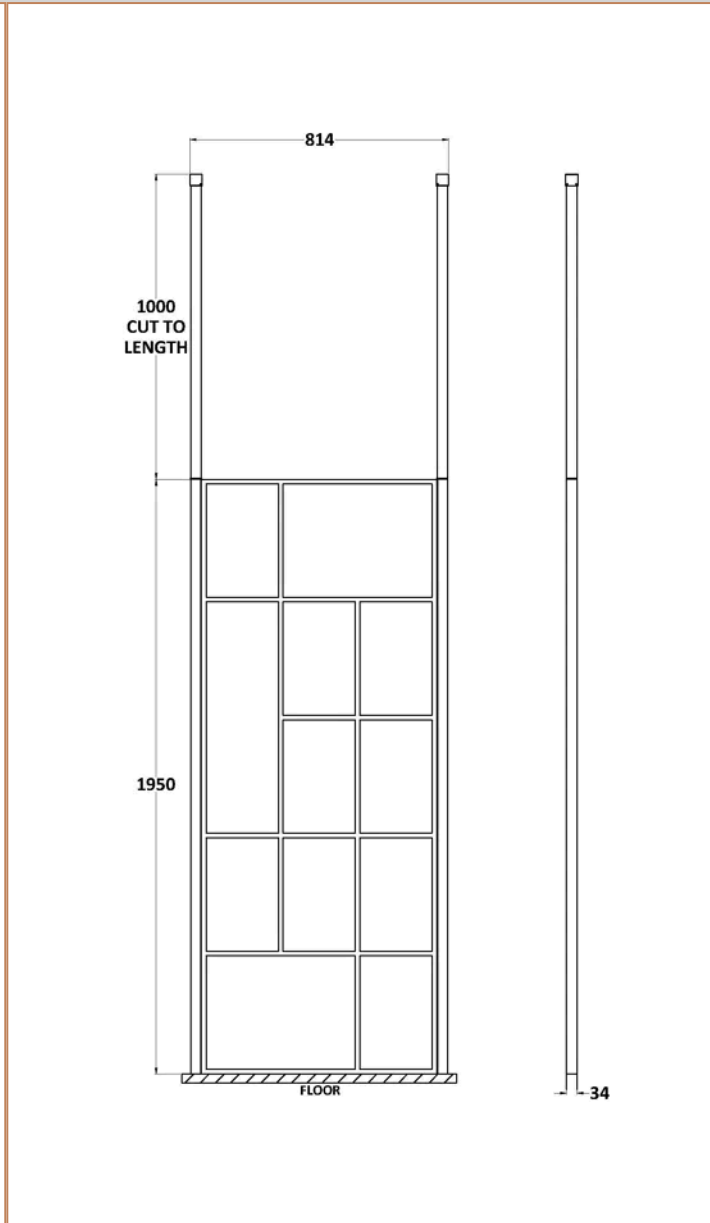
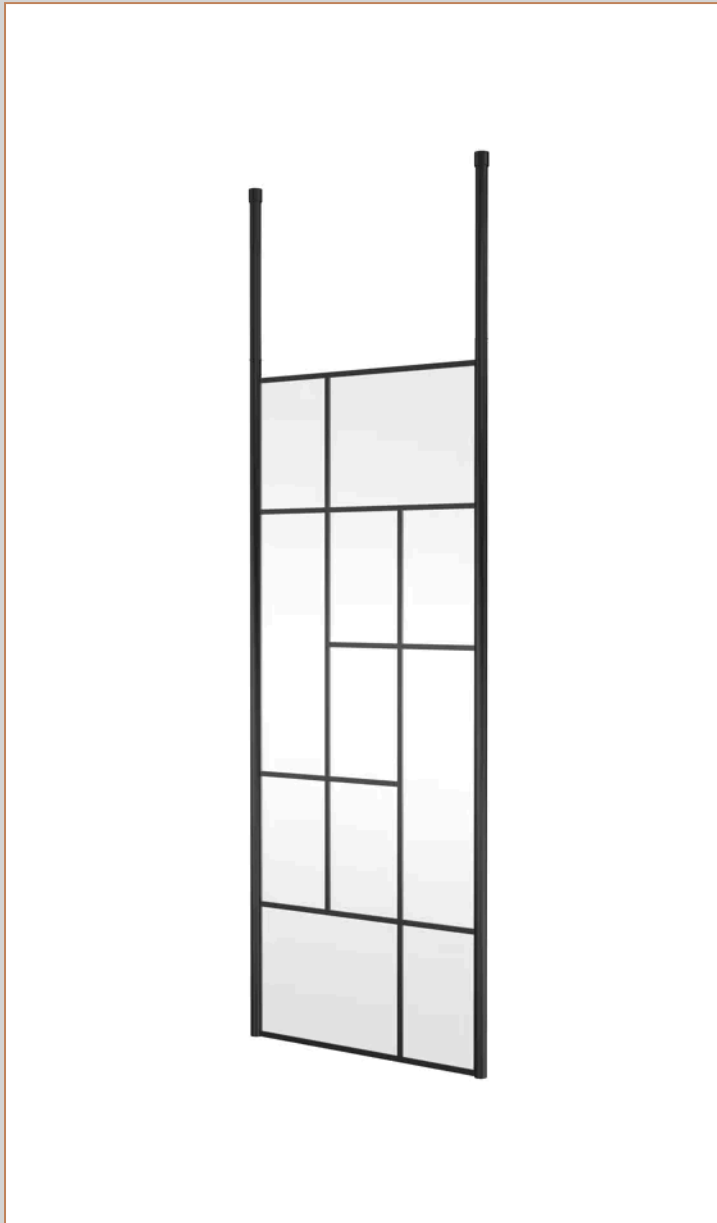


**Sales Code:** NWFCPB080

**Barcode:** 5056883734957

**Brand:** nuie

**Description:** nuie 800mm Matt Black Wetroom Panel



### Product Dimensions

Product	1950 x 850 x 60mm (H x W x D)
Packaged	60 x 850 x 2070mm (H x W x D)
Nett Weight	35.9 kg
Packaged Weight	35.9 kg

### Product Details

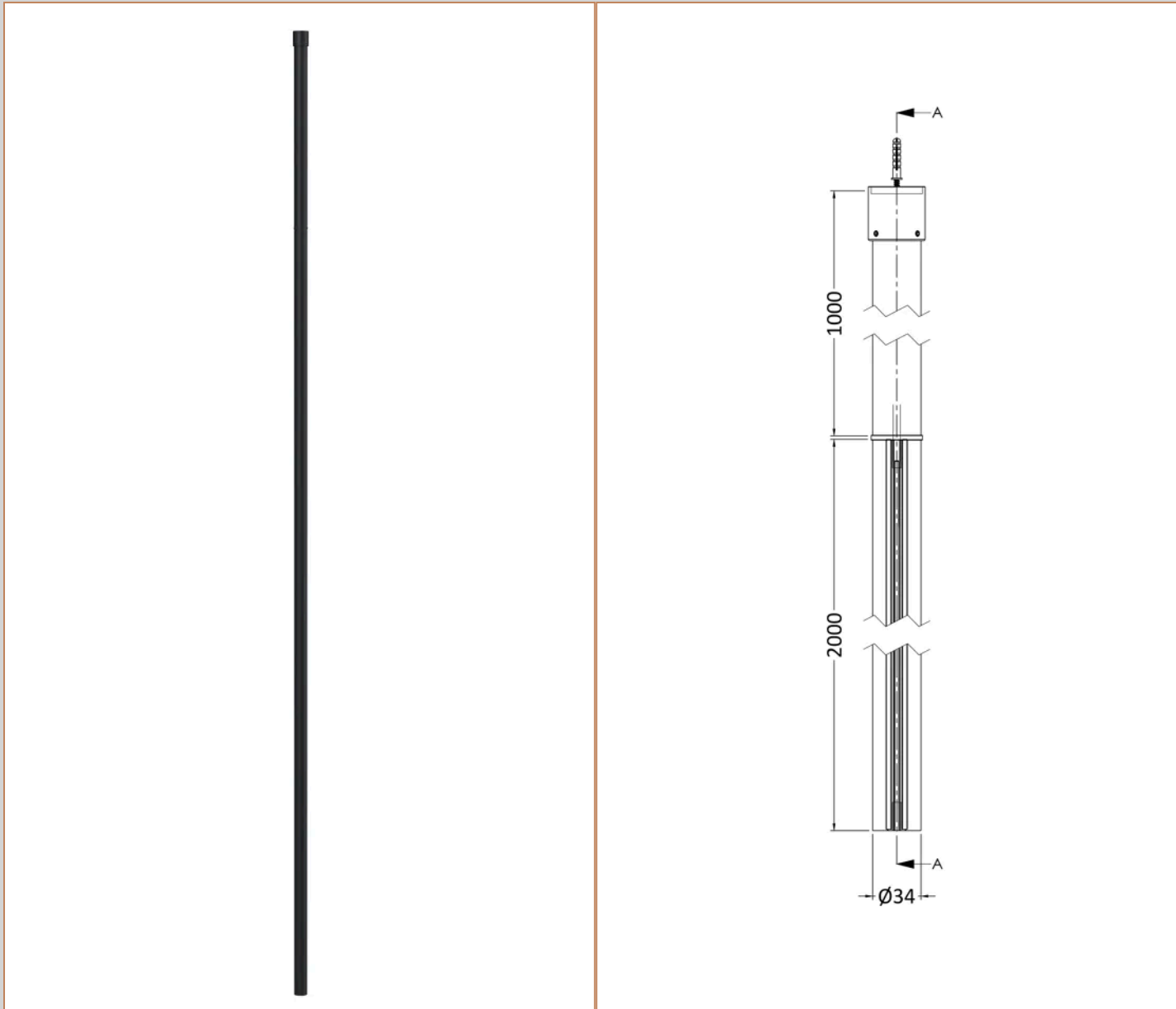
Country of Origin	China
Product Material	Aluminium
Colour/Finish	Matt Black
Style	Contemporary
Easy Clean	Yes
Ce Certified	Yes
Declaration Of Performance	Yes
Easy Fit	No
Enclosure Design	Framed
Frame Finish	Matt Black
Glass Thickness	8 mm
Handles Included	No
Ukca Certified	Yes

**Sales Code:** WRSF006

**Barcode:** 5056211850601

**Brand:** Hudson Reed

**Description:** Matt Black Wetroom Screen Ceiling Post



### Product Dimensions

Product	3000 x 34 x 34mm (H x W x D)
Packaged	2030 x 100 x 70mm (H x W x D)
Nett Weight	3 kg
Packaged Weight	3 kg

### Product Details

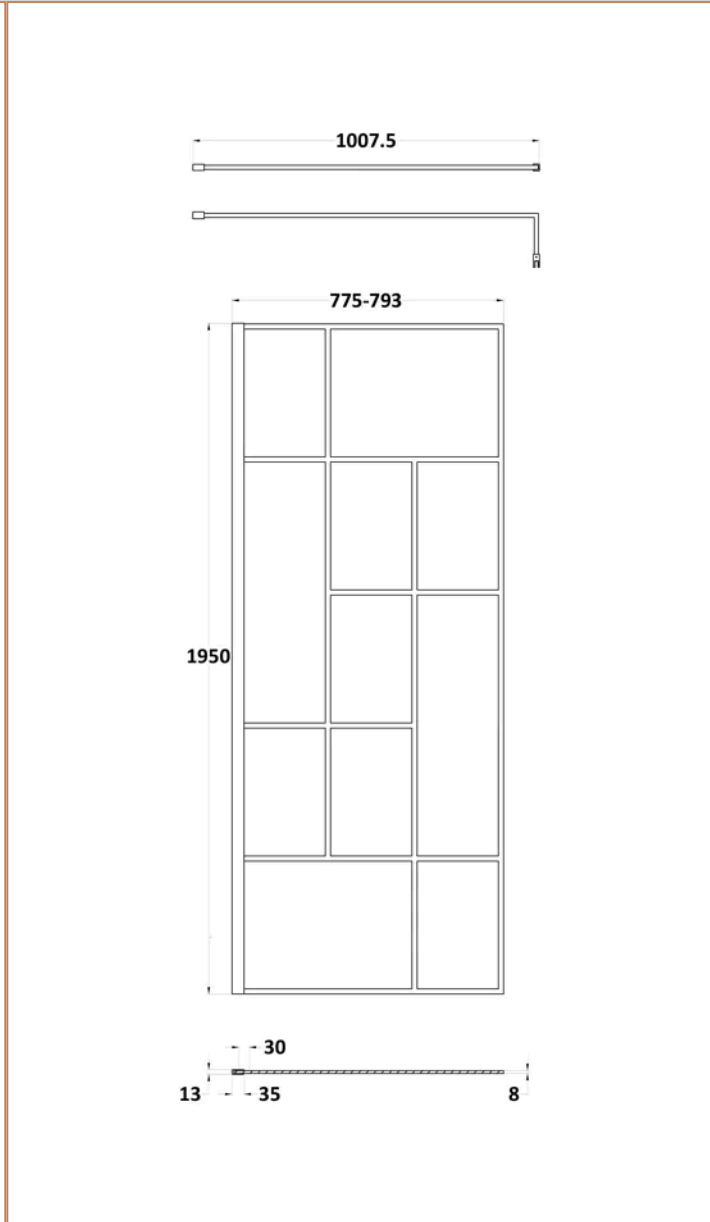
Country of Origin	China
Product Material	Aluminium
Colour/Finish	Matt Black
Style	Contemporary

**Sales Code:**  
WRSFB080

**Barcode:** 5056462614137

**Brand:** Hudson  
Reed

**Description:** Hudson Reed 800mm Abstract Frame Matt Black Wetroom Screen With Support Bar



**Product Dimensions**

Product	1950 x 800 x 14mm (H x W x D)
Packaged	2070 x 850 x 60mm (H x W x D)
Nett Weight	35.9 kg
Packaged Weight	35.9 kg

**Product Details**

Country of Origin	China
Product Material	Aluminium
Colour/Finish	Matt Black
Style	Contemporary
Fixings Included	Yes
Easy Clean	Yes
Adjustment Max	793
Adjustment Min	775
Ce Certified	Yes
Declaration Of Performance	Yes
Easy Fit	No
Enclosure Design	Semi-Frameless
Frame Finish	Matt Black
Glass Thickness	8 mm
Handles Included	No
Support Bar Included	Yes
Ukca Certified	Yes