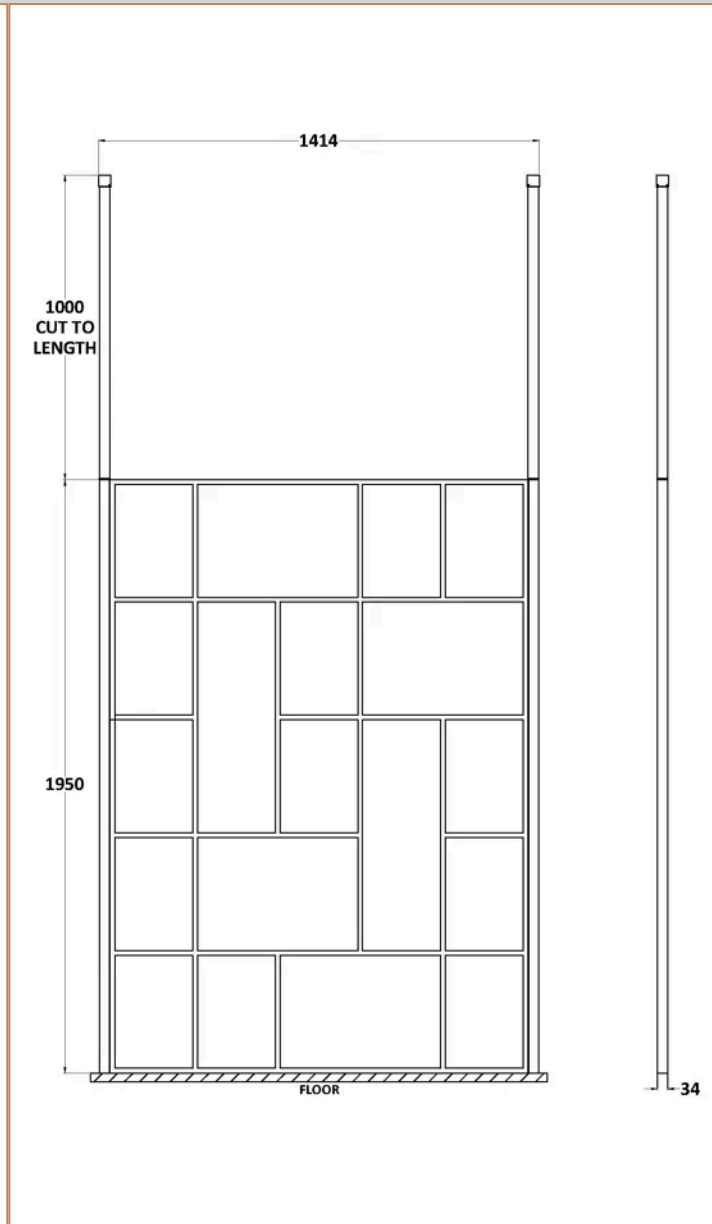
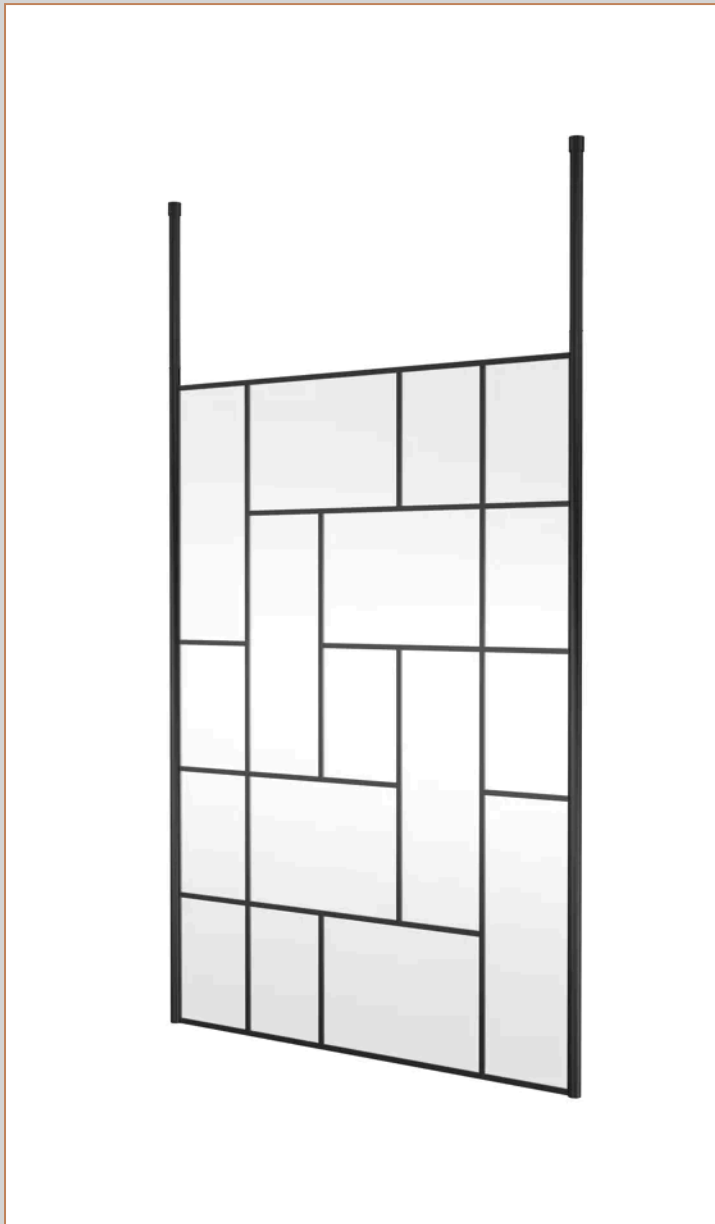


Sales Code: NWFCPB14

Barcode: 5056883735008

Brand: nuie

Description: nuie 1400mm Matt Black Wetroom Panel



Product Dimensions

Product	1950 x 1450 x 60mm (H x W x D)
Packaged	60 x 1450 x 2070mm (H x W x D)
Nett Weight	62.7 kg
Packaged Weight	62.7 kg

Product Details

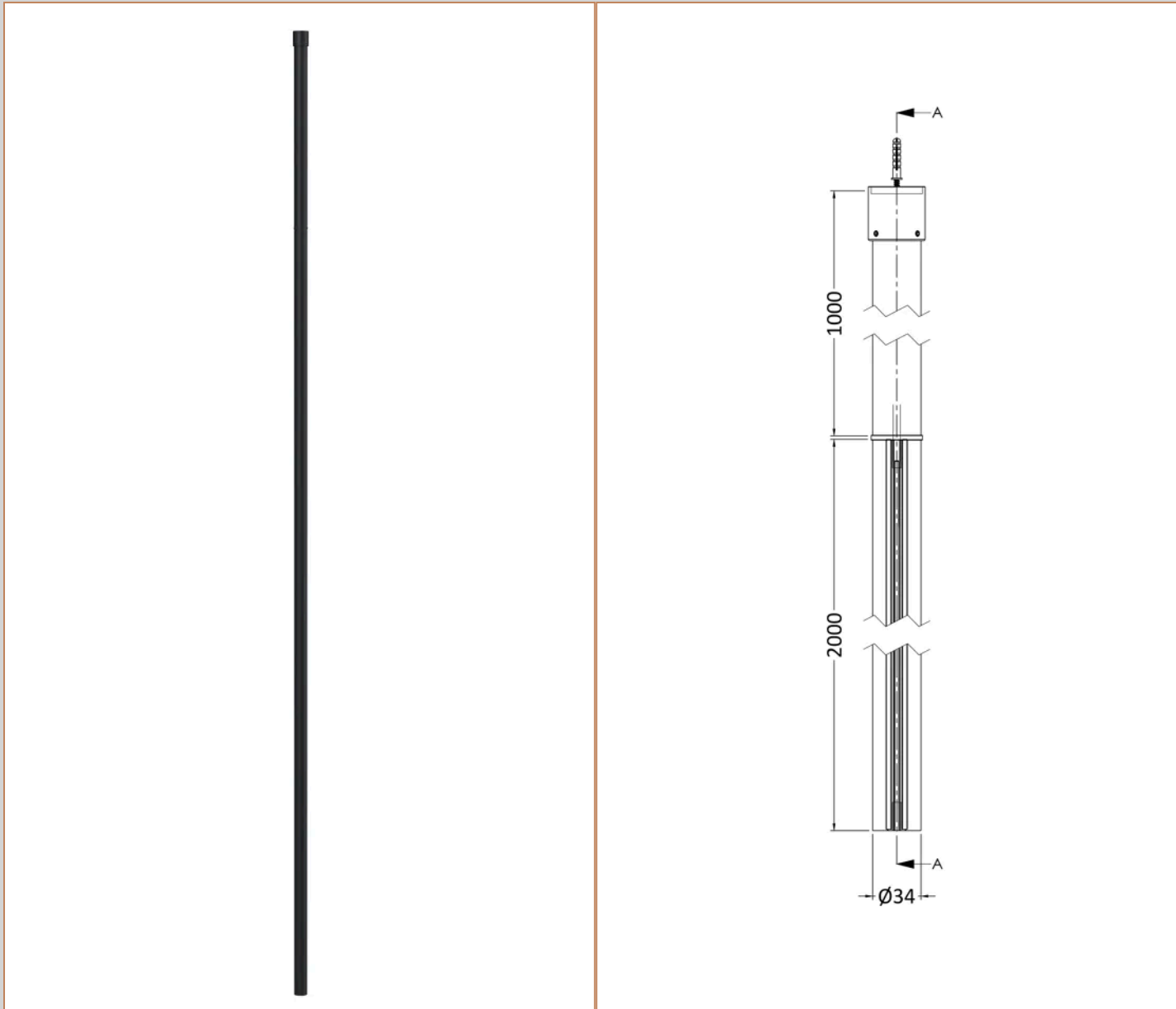
Country of Origin	China
Product Material	Aluminium
Colour/Finish	Matt Black
Style	Contemporary
Easy Clean	Yes
Ce Certified	Yes
Declaration Of Performance	Yes
Easy Fit	No
Enclosure Design	Framed
Frame Finish	Matt Black
Glass Thickness	8 mm
Handles Included	No
Ukca Certified	Yes

Sales Code: WRSF006

Barcode: 5056211850601

Brand: Hudson Reed

Description: Matt Black Wetroom Screen Ceiling Post



Product Dimensions

Product	3000 x 34 x 34mm (H x W x D)
Packaged	2030 x 100 x 70mm (H x W x D)
Nett Weight	3 kg
Packaged Weight	3 kg

Product Details

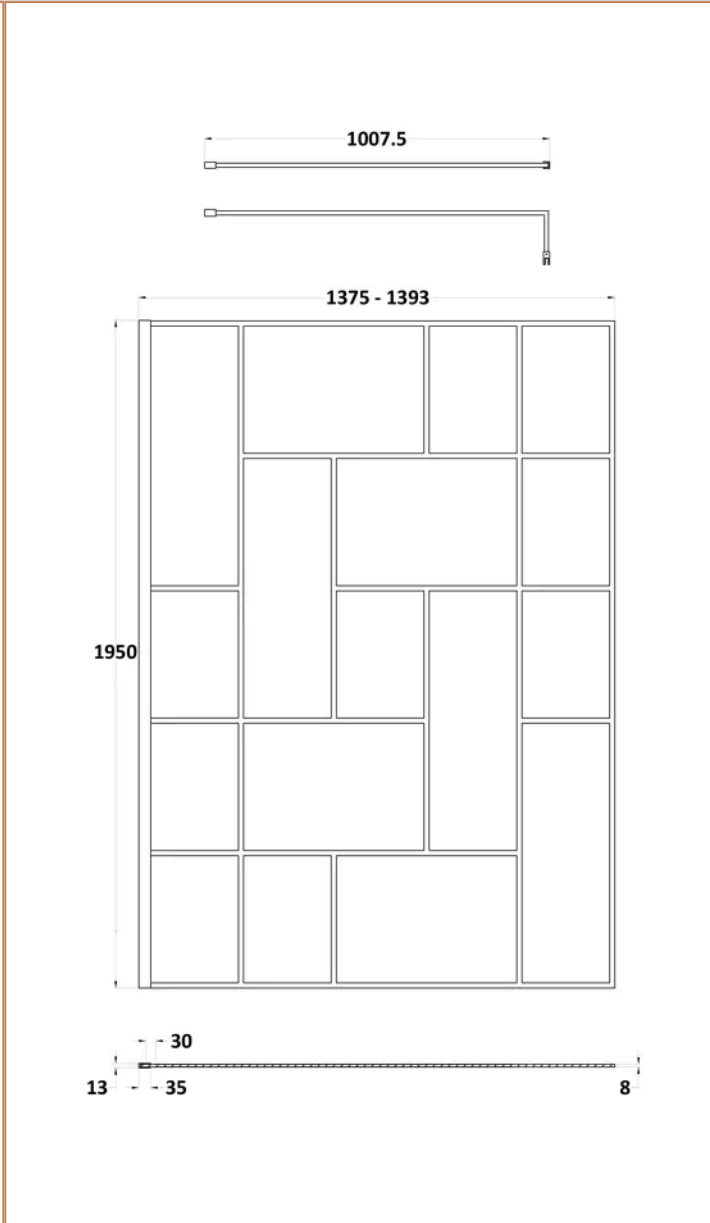
Country of Origin	China
Product Material	Aluminium
Colour/Finish	Matt Black
Style	Contemporary

Sales Code:
WRSFB14

Barcode: 5056462614182

Brand: Hudson
Reed

Description: Hudson Reed 1400mm Abstract Frame Matt Black Wetroom Screen With Support Bar



Product Dimensions

Product	1950 x 1400 x 14mm (H x W x D)
Packaged	2070 x 1450 x 60mm (H x W x D)
Nett Weight	62.7 kg
Packaged Weight	62.7 kg

Product Details

Country of Origin	China
Product Material	Aluminium
Colour/Finish	Matt Black
Style	Contemporary
Fixings Included	Yes
Easy Clean	Yes
Adjustment Max	1393
Adjustment Min	1375
Ce Certified	Yes
Declaration Of Performance	Yes
Easy Fit	No
Enclosure Design	Framed
Frame Finish	Matt Black
Glass Thickness	8 mm
Handles Included	No
Support Bar Included	Yes
Ukca Certified	Yes