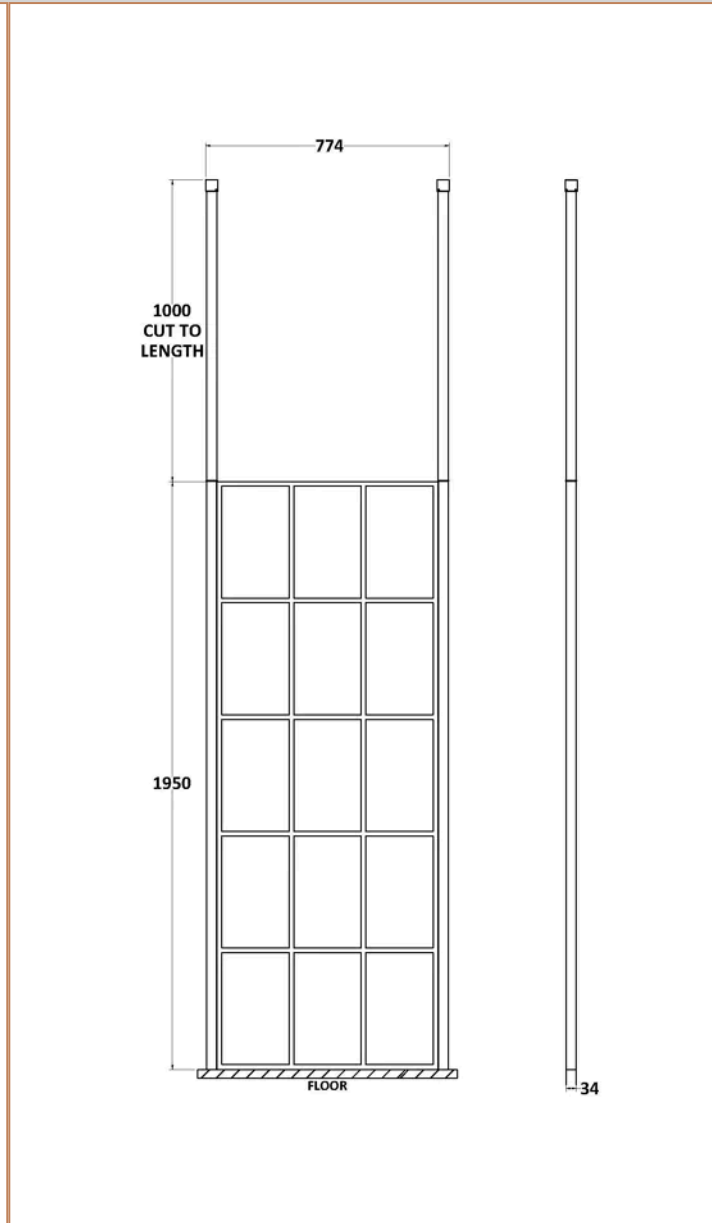
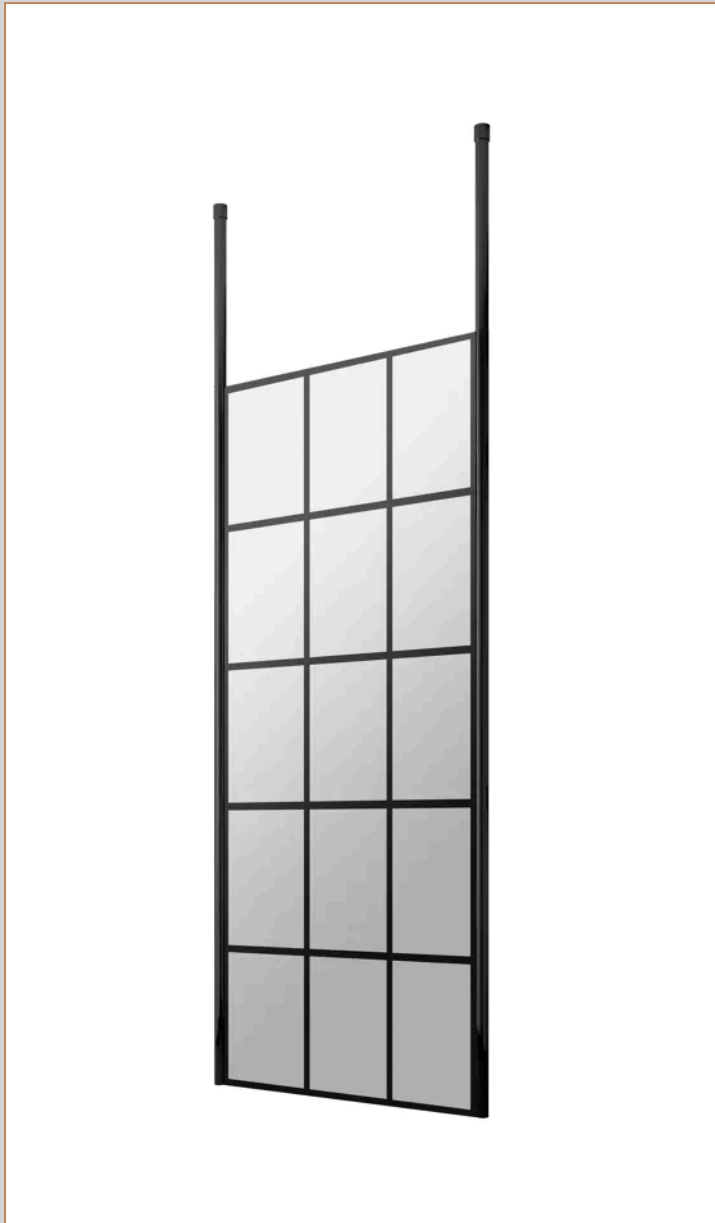


**Sales Code:** NWFCP076

**Barcode:** 5056883734865

**Brand:** nuie

**Description:** nuie 760mm Matt Black Frame Screen Wetroom With Ceiling Posts



**Product Dimensions**

Product	1950 x 760 x 14mm (H x W x D)
Packaged	60 x 810 x 2070mm (H x W x D)
Nett Weight	34.2 kg
Packaged Weight	34.2 kg

**Product Details**

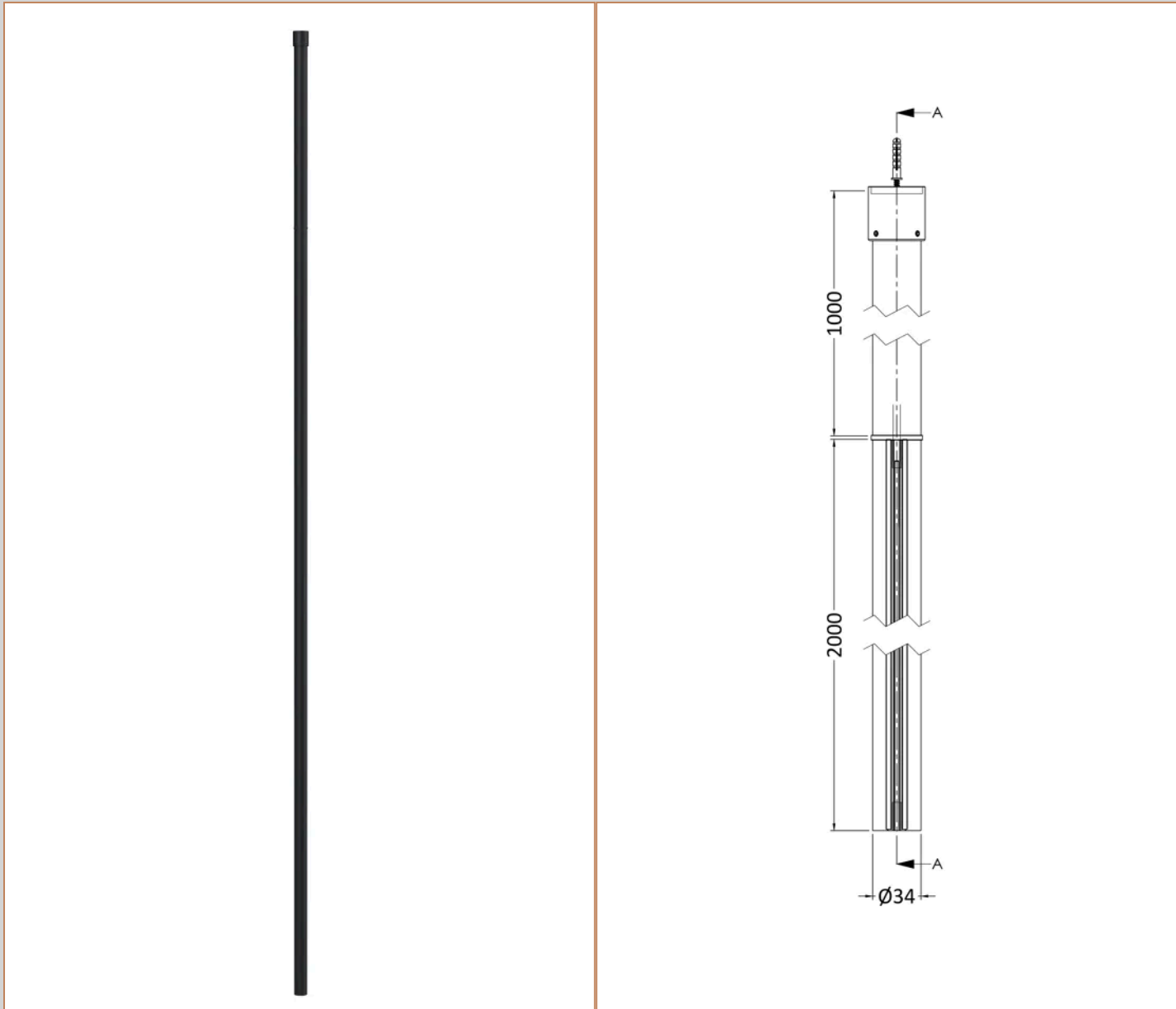
Country of Origin	China
Product Material	Aluminium
Colour/Finish	Matt Black
Style	Contemporary
Easy Clean	Yes
Ce Certified	Yes
Declaration Of Performance	Yes
Easy Fit	No
Enclosure Design	Framed
Frame Finish	Matt Black
Glass Thickness	8 mm
Handles Included	No
Ukca Certified	Yes

**Sales Code:** WRSF006

**Barcode:** 5056211850601

**Brand:** Hudson Reed

**Description:** Matt Black Wetroom Screen Ceiling Post



**Product Dimensions**

Product	3000 x 34 x 34mm (H x W x D)
Packaged	2030 x 100 x 70mm (H x W x D)
Nett Weight	3 kg
Packaged Weight	3 kg

**Product Details**

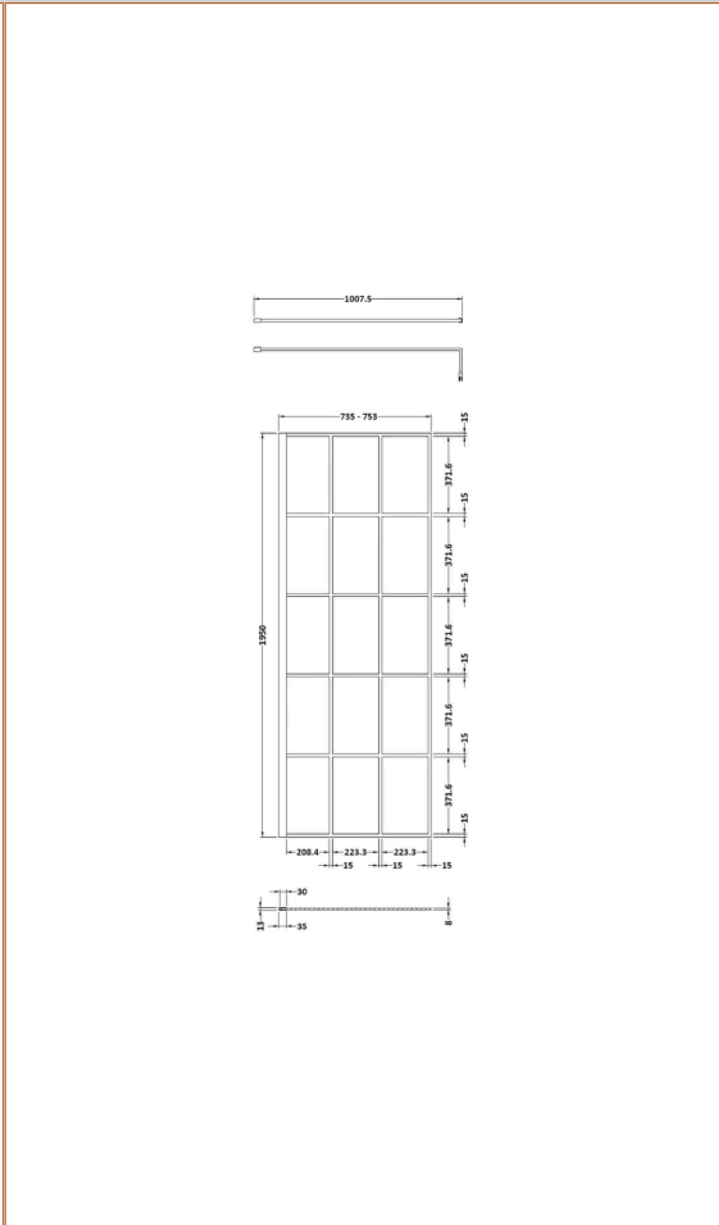
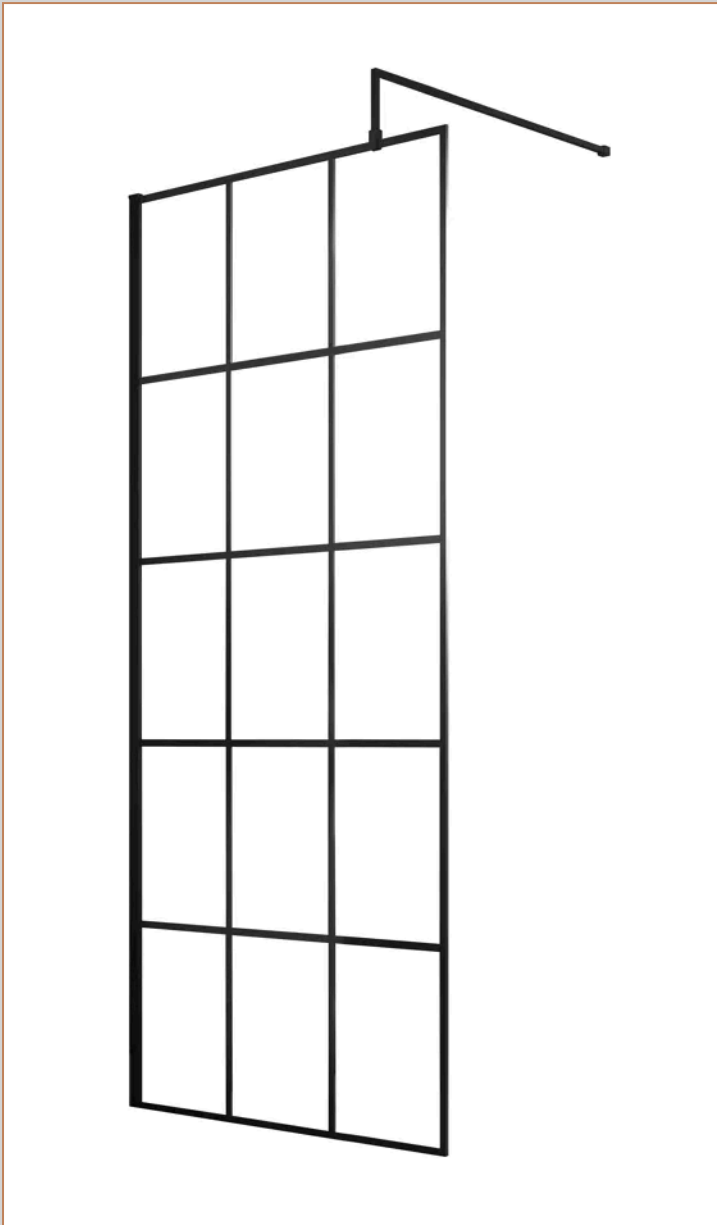
Country of Origin	China
Product Material	Aluminium
Colour/Finish	Matt Black
Style	Contemporary

**Sales Code:** WRSF076

**Barcode:** 5056211806899

**Brand:** Hudson Reed

**Description:** Hudson Reed 760mm Matt Black Wetroom Panel



**Product Dimensions**

Product	1950 x 760 x 14mm (H x W x D)
Packaged	65 x 810 x 2010mm (H x W x D)
Nett Weight	34.2 kg
Packaged Weight	34.2 kg

**Product Details**

Country of Origin	China
Product Material	Aluminium
Colour/Finish	Matt Black
Style	Contemporary
Fixings Included	Yes
Easy Clean	Yes
Adjustment Max	753
Adjustment Min	735
Ce Certified	Yes
Declaration Of Performance	Yes
Easy Fit	No
Enclosure Design	Frameless
Frame Finish	Matt Black
Glass Thickness	8 mm
Handles Included	No
Support Bar Included	Yes
Ukca Certified	Yes