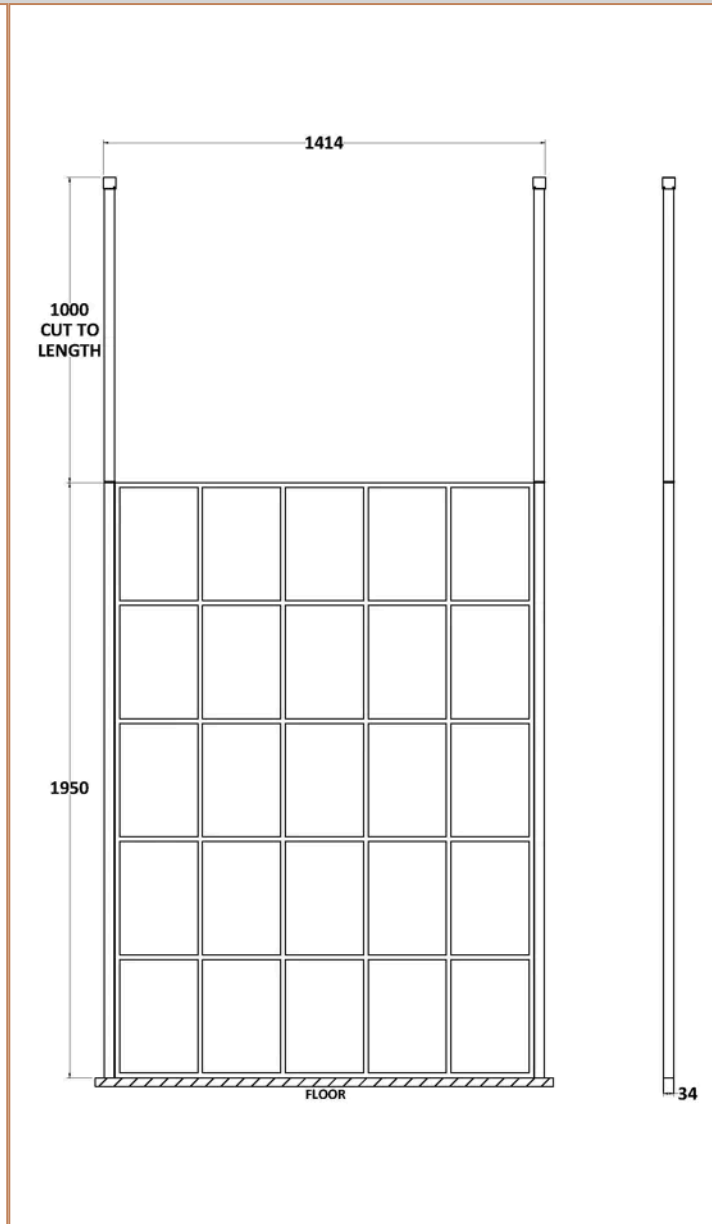


**Sales Code:** NWFCP14

**Barcode:** 5056883734926

**Brand:** nuie

**Description:** nuie 1400mm Matt Black Wetroom Panel



**Product Dimensions**

Product	1950 x 1400 x 14mm (H x W x D)
Packaged	65 x 1430 x 2010mm (H x W x D)
Nett Weight	58.3 kg
Packaged Weight	58.3 kg

**Product Details**

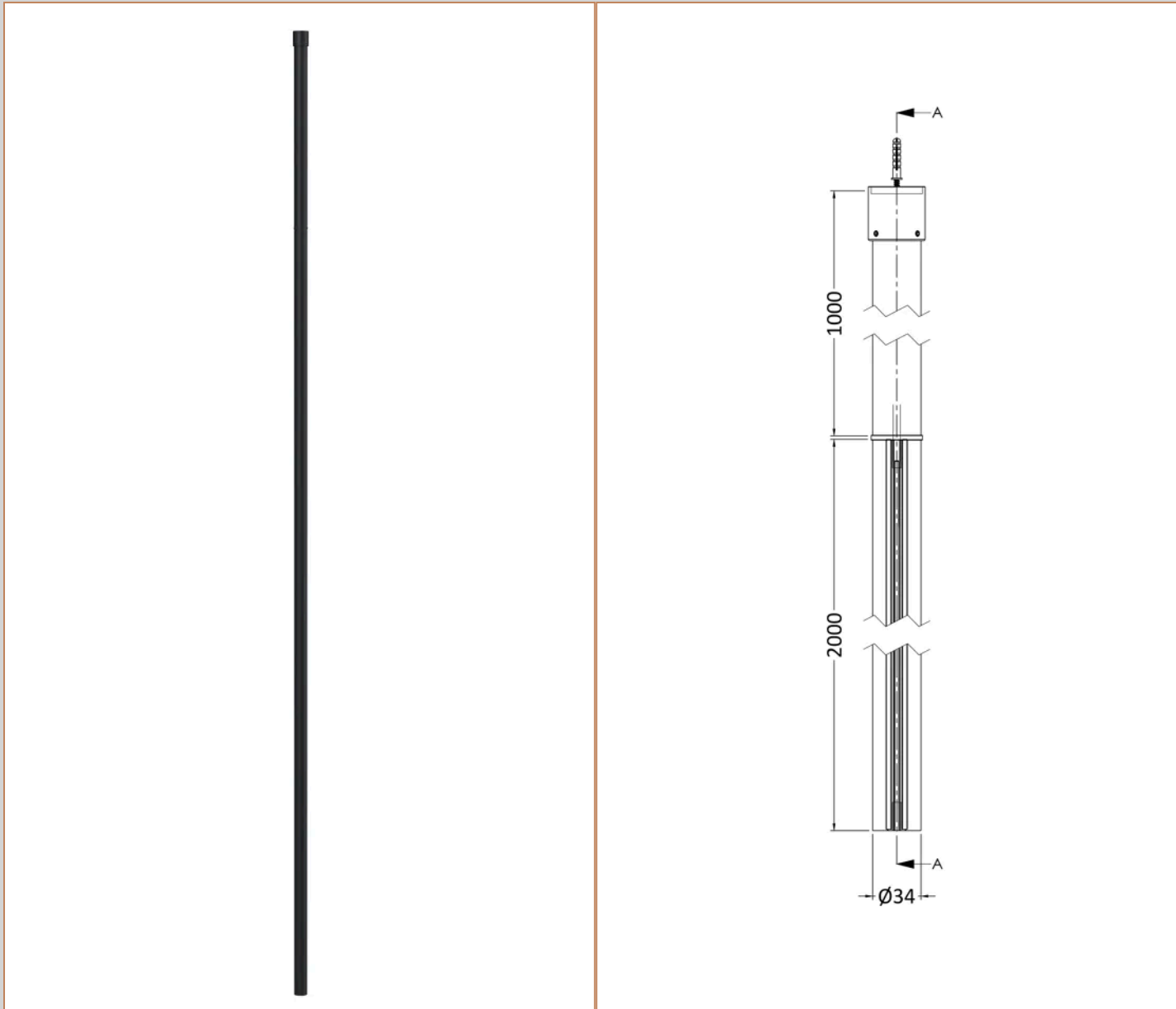
Country of Origin	China
Product Material	Aluminium
Colour/Finish	Matt Black
Style	Contemporary
Easy Clean	Yes
Ce Certified	Yes
Declaration Of Performance	Yes
Easy Fit	No
Enclosure Design	Framed
Frame Finish	Matt Black
Glass Thickness	8 mm
Handles Included	No
Ukca Certified	Yes

**Sales Code:** WRSF006

**Barcode:** 5056211850601

**Brand:** Hudson Reed

**Description:** Matt Black Wetroom Screen Ceiling Post



### Product Dimensions

Product	3000 x 34 x 34mm (H x W x D)
Packaged	2030 x 100 x 70mm (H x W x D)
Nett Weight	3 kg
Packaged Weight	3 kg

### Product Details

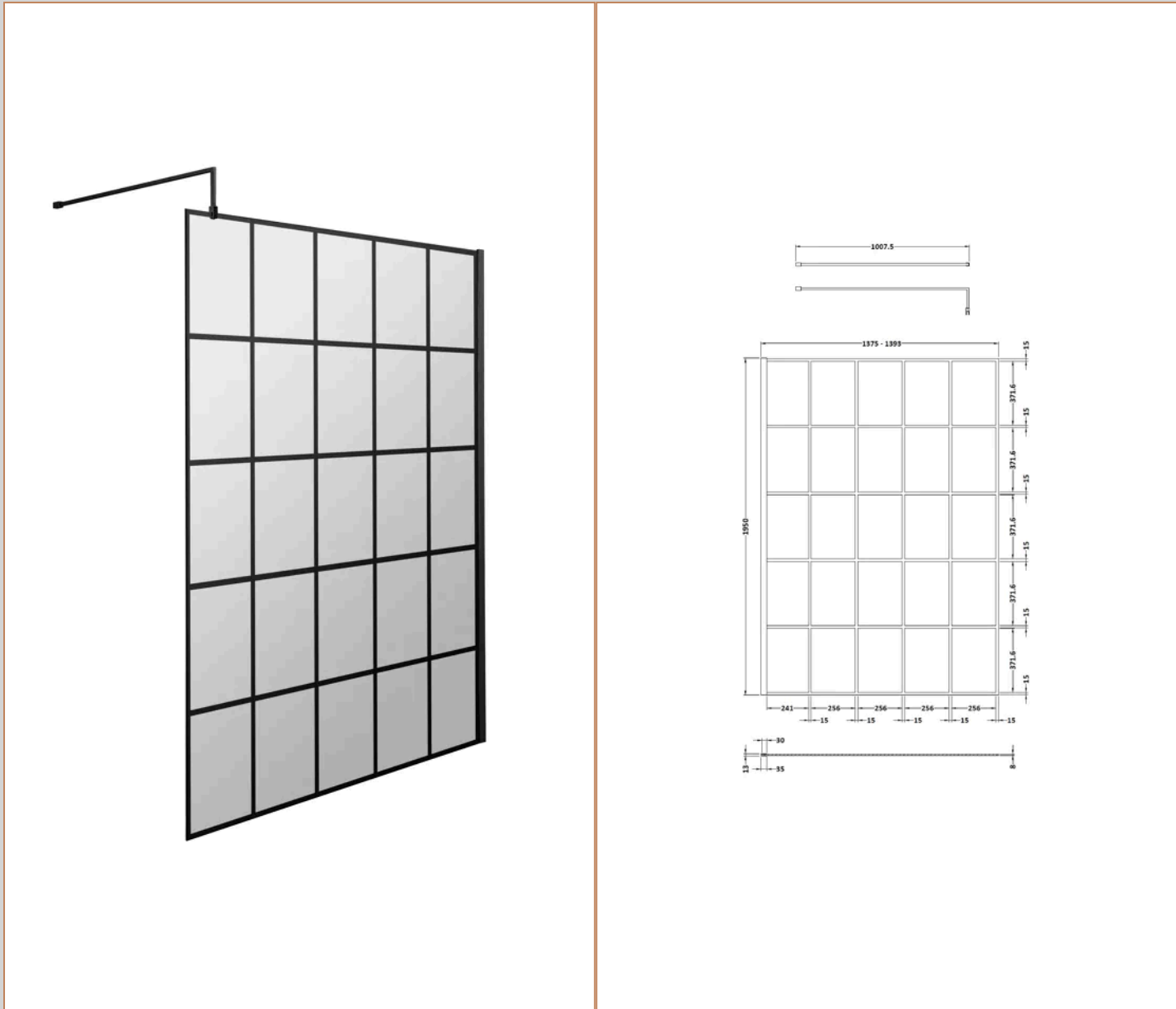
Country of Origin	China
Product Material	Aluminium
Colour/Finish	Matt Black
Style	Contemporary

**Sales Code:** WRSF14

**Barcode:** 5056211806950

**Brand:** Hudson Reed

**Description:** Hudson Reed 1400mm Matt Black Matrix Wetroom Screen



### Product Dimensions

Product	1950 x 1400 x 14mm (H x W x D)
Packaged	60 x 1450 x 2070mm (H x W x D)
Nett Weight	62.7 kg
Packaged Weight	62.7 kg

### Product Details

Country of Origin	China
Product Material	Aluminium
Colour/Finish	Matt Black
Style	Contemporary
Fixings Included	Yes
Easy Clean	No
Adjustment Max	1393
Adjustment Min	1375
Ce Certified	Yes
Declaration Of Performance	Yes
Easy Fit	No
Enclosure Design	Framed
Frame Finish	Matt Black
Glass Thickness	8 mm
Handles Included	No
Support Bar Included	Yes
Ukca Certified	Yes